

D-SERIES DRI DRIKIT 12VDC 1CO LD/PB

Weidmüller Interface GmbH & Co. KG
 Klingenbergstraße 16
 D-32758 Detmold
 Germany
 Fon: +49 5231 14-0
 Fax: +49 5231 14-292083
 www.weidmueller.com

Product image



Similar to illustration

Our relay kits are particularly convenient to use. The kits are delivered fully assembled and 100 % function-tested. This saves assembly time and reduces the number of parts required.

- Assembled kit consisting of relay, base and retaining clip, incl. label
- 100% function-tested
- 100% control of the dielectric strength input - output
- Optional: test button with coloured control voltage marking (AC coil: red / DC coil: blue) and mechanical switch position indicator
- Bright status LED (AC coil: red / DC coil: green)

General ordering data

| | |
|------------|---|
| Type | DRIKIT 12VDC 1CO LD/PB |
| Order No. | 2476740000 |
| Version | D-SERIES DRI, Relays, No. of contacts: 1 CO contact with test button AgNi, Rated control voltage: 12 V DC, Continuous current: 10 A, Screw connection |
| GTIN (EAN) | 4050118496963 |
| Qty. | 10 pc(s). |

D-SERIES DRI
DRIKIT 12VDC 1CO LD/PB

Weidmüller Interface GmbH & Co. KG
 Klingenbergstraße 16
 D-32758 Detmold
 Germany
 Fon: +49 5231 14-0
 Fax: +49 5231 14-292083
 www.weidmueller.com

Technical data**Dimensions and weights**

| | | | |
|------------|---------|-----------------|------------|
| Width | 15.8 mm | Width (inches) | 0.622 inch |
| Height | 80.2 mm | Height (inches) | 3.157 inch |
| Depth | 68 mm | Depth (inches) | 2.677 inch |
| Net weight | 59.4 g | | |

Temperatures

| | | | |
|-----------------------------|--|-----------------------------|----------------|
| Humidity | 35...85 % rel. humidity, no condensation | Operating temperature, max. | 55 °C |
| Operating temperature, min. | -40 °C | Storage temperature, max. | 85 °C |
| Storage temperature, min. | -40 °C | Operating temperature | -40 °C...55 °C |
| Storage temperature | -40 °C...85 °C | | |

Environmental Product Compliance

| | |
|------------|----------------|
| REACH SVHC | Lead 7439-92-1 |
|------------|----------------|

Input

| | | | |
|-----------------------|---------------------|--------------------------------|----------------|
| Rated control voltage | 12 V DC | Rated current DC | 44,4 mA |
| Power rating | 530 mW | Pull-in/drop-out voltage, typ. | 9 V / 1.8 V DC |
| Coil resistance | 270 Ω ± 10 % | Status indicator | Green LED |
| Protective circuit | Free-wheeling diode | | |

Output

| | | | |
|----------------------------|----------------------------|--|---------|
| Rated switching voltage | 250 V AC | Max. switching voltage, AC | 250 V |
| Max. switching voltage, DC | 250 V | Continuous current | 10 A |
| Switch-on delay | ≤ 15 ms | Switch-off delay | ≤ 10 ms |
| Min. switching power | 10 mA @ 12 V, 100 mA @ 5 V | Max. switching frequency at rated load | 0.1 Hz |

Contact data

| | | | |
|--------------|--------------------------------------|-------------------------|---------------------------------------|
| Contact type | 1 CO contact with test button (AgNi) | Mechanical service life | 10 x 10 ⁶ switching cycles |
|--------------|--------------------------------------|-------------------------|---------------------------------------|

General data

| | | | |
|--------------------------------------|-------|-------------|----------------|
| Rail | TS 35 | Test button | yes (lockable) |
| Mechanical switch position indicator | Yes | Colour | black |

Insulation coordination

| | | | |
|--|--------------------|-------------------------------------|------------------------------|
| Rated voltage | 250 V | Surge voltage category | III |
| Pollution severity | 2 | Insulating material group | IIIb |
| Protection degree | IP20 | Dielectric strength, Input/Output | 4 kV _{eff} / 1 Min. |
| Creepage and clearance distance input - output | ≥ 3 mm | Dielectric strength of open contact | 1 kV _{eff} / 1 min |
| Impulse withstand voltage | 4.8 kV (1.2/50 μs) | | |

D-SERIES DRI
DRIKIT 12VDC 1CO LD/PB

Weidmüller Interface GmbH & Co. KG
 Klingenbergstraße 16
 D-32758 Detmold
 Germany
 Fon: +49 5231 14-0
 Fax: +49 5231 14-292083
 www.weidmueller.com

Technical data**Further details of approvals / standards**

| | | | |
|------------------------------|--|-------------------------------|---------|
| Standards | IEC 61810-1, EN 60664-1:2007, EN 61000-6-2:2005, EN 61000-6-4:2007 + A1:2011 | Certificate no. (cURus) relay | E312083 |
| Certificate no. (cURus) base | E355547 | | |

Connection data

| | | | |
|---|---------------------|---|----------------------|
| Wire connection method | Screw connection | Stripping length, rated connection | 8 mm |
| Tightening torque, min. | 0.5 Nm | Tightening torque, max. | 0.8 Nm |
| Clamping range, rated connection | 1.5 mm ² | Clamping range, min. | 0.25 mm ² |
| Clamping range, max. | 4 mm ² | Wire cross-section, solid, min. | 0.25 mm ² |
| Wire cross-section, solid, max. | 4 mm ² | Wire connection cross-section, finely stranded, min. | 0.25 mm ² |
| Wire connection cross section, finely stranded, max. | 4 mm ² | Wire connection cross-section, finely stranded with wire-end ferrules DIN 46228/4, min. | 0.25 mm ² |
| Wire connection cross-section, finely stranded with wire-end ferrules DIN 46228/4, max. | 4 mm ² | Conductor cross-section, flexible, AEH (DIN 46228-1), min. | 0.25 mm ² |
| Conductor cross-section, flexible, AEH (DIN 46228-1), max. | 4 mm ² | Blade size | size PH1 |
| Gauge to IEC 60947-1 | A3 | | |

Classifications

| | | | |
|------------|-------------|------------|-------------|
| ETIM 6.0 | EC001437 | eClass 6.2 | 27-37-16-01 |
| eClass 9.0 | 27-37-16-01 | eClass 9.1 | 27-37-16-01 |

Approvals

Approvals

**Downloads**

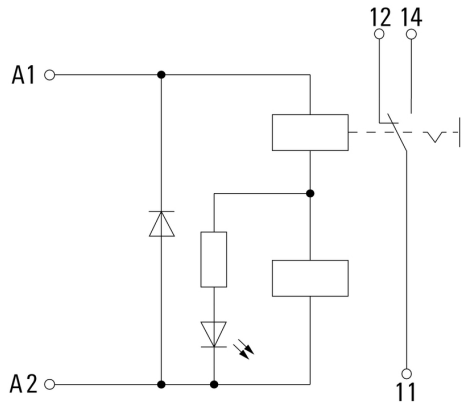
| | |
|---|--|
| Approval/Certificate/Document of Conformity | DE_PA5600_160822_001.pdf |
| Engineering Data | EPLAN, WSCAD, Zuken E3.S |
| Engineering Data | STEP |

**D-SERIES DRI
DRIKIT 12VDC 1CO LD/PB**

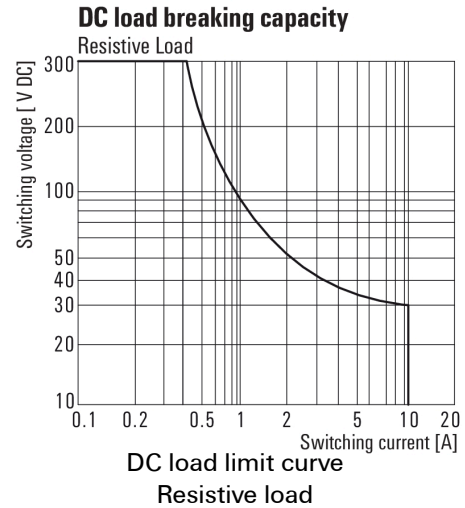
Weidmüller Interface GmbH & Co. KG
 Klingenbergstraße 16
 D-32758 Detmold
 Germany
 Fon: +49 5231 14-0
 Fax: +49 5231 14-292083
 www.weidmueller.com

Drawings

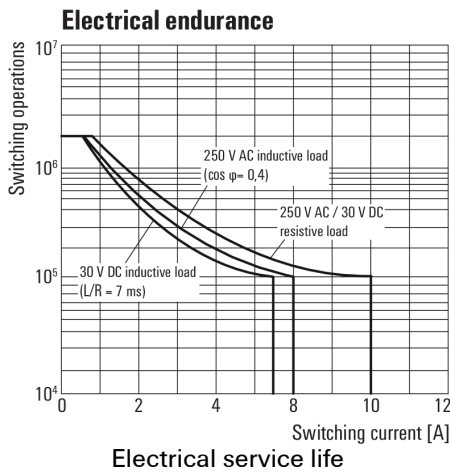
Wiring diagram



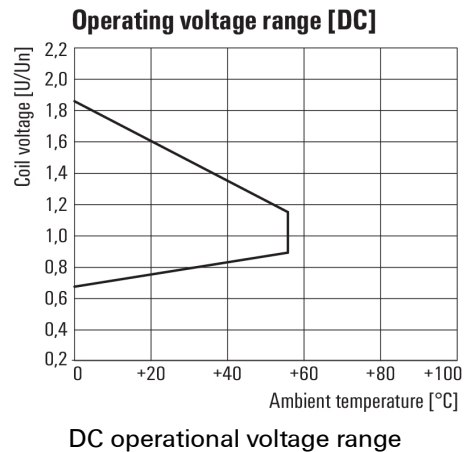
Graph



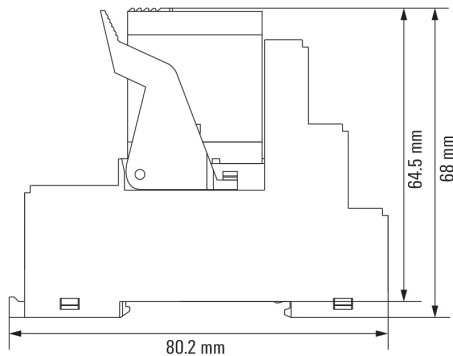
Graph



Graph



Dimensional drawing



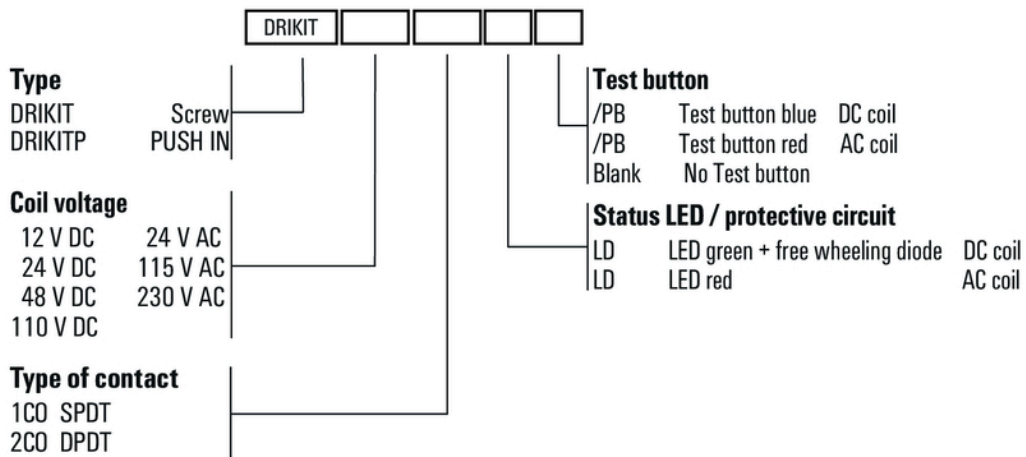
Data sheet

**D-SERIES DRI
DRIKIT 12VDC 1CO LD/PB**

Weidmüller Interface GmbH & Co. KG
 Klingenbergstraße 16
 D-32758 Detmold
 Germany
 Fon: +49 5231 14-0
 Fax: +49 5231 14-292083
 www.weidmueller.com

Drawings

Miscellaneous



Type codes