

## Klippon TB (Terminal Box) KTB QL 303020 Exe

**Weidmüller Interface GmbH & Co. KG**  
Klingenbergstraße 16  
D-32758 Detmold  
Germany  
Fon: +49 5231 14-0  
Fax: +49 5231 14-292083  
www.weidmueller.com



The Klippon® brand has long stood for competence and quality in housings, particularly when customer solutions for standard industrial applications and applications in explosive risk zones are concerned.

Weidmüller meets these requirements with its range of steel sheet enclosures in the new Klippon® TB series, available in Multi-Hinge (MH) and Quarter-Lock (QL) versions, the Klippon® STB series and the aluminium enclosures of the Klippon® K series.

The portfolio is rounded off with the polyester enclosures of the Klippon® POK series and the polycarbonate enclosures.

Irrespective of which application users are planning, Weidmüller offers numerous precisely fitting housing solutions and individual services: turnkey enclosures with customer-specific configurations such as terminal rails, drilled holes, cable glands, cutouts, special coatings and much more besides.

### General ordering data

Type	KTB QL 303020 Exe
Order No.	<a href="#">8000028400</a>
Version	Klippon TB (Terminal Box), Terminal Box, stainless steel enclosure, Height: 306 mm, Width: 306 mm, Depth: 200 mm, Gland plates: Bottom, Material: Stainless steel 1.4404 (316L), electropolished, silver
GTIN (EAN)	4050118552836
Qty.	1 pc(s).
Reference product	<a href="#">1200070000</a> <a href="#">1020100000</a> <a href="#">1010100000</a>

**Data sheet**

**Klippon TB (Terminal Box)  
KTB QL 303020 Exe**

**Weidmüller Interface GmbH & Co. KG**  
Klingenbergstraße 16  
D-32758 Detmold  
Germany  
Fon: +49 5231 14-0  
Fax: +49 5231 14-292083  
www.weidmueller.com

**Technical data**

**Dimensions and weights**

Width	306 mm	Width (inches)	12.047 inch
Height	306 mm	Height (inches)	12.047 inch
Depth	200 mm	Depth (inches)	7.874 inch
Mounting dimension - width	332 mm	Mounting dimension - height	203 mm
Net weight	9,560 g	Diameter	11 mm

**Certificate numbers enclosure**

Certificate no. assembled enclosure (ATEX)	IBExU14ATEX1050	Certificate no. assembled enclosure (IECEX)	IECEX IBE 14.0013
Identification	Ex eb IIC T6 Gb		

**vertical assembly**

WDU 4 / ZDU 4	1x32, 4 x PE
---------------	--------------

**Housing**

Drill holes side A	none	Drill holes side B	6 x M20, 1 x M32, 1 x BDX
Drill holes side C	none	Drill holes side D	none
Material	Stainless steel 1.4404 (316L)	Material type plate	Polyester coated with aluminium

**Classifications**

ETIM 6.0	EC002503	eClass 6.2	27-18-05-02
eClass 9.0	27-18-05-02	eClass 9.1	27-18-05-02

**Approvals**

Approvals	
Approvals	CE; ATEX; IECEX

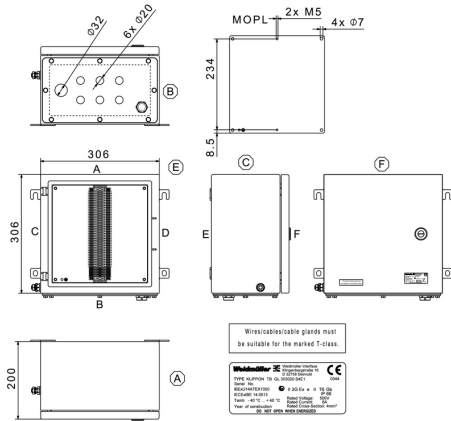
**Downloads**

Brochure/Catalogue	<a href="#">CAT 5 ENCL 17/18 EN</a>
--------------------	-------------------------------------

**Klippon TB (Terminal Box)  
KTB QL 303020 Exe**

**Weidmüller Interface GmbH & Co. KG**  
Klingenbergstraße 16  
D-32758 Detmold  
Germany  
Fon: +49 5231 14-0  
Fax: +49 5231 14-292083  
www.weidmueller.com

**Drawings**



**Klippon TB QL (Terminal Box - Quarter Lock)  
KTB QL 303020 S4E1**

**Weidmüller Interface GmbH & Co. KG**  
Klingenbergstraße 16  
D-32758 Detmold  
Germany  
Fon: +49 5231 14-0  
Fax: +49 5231 14-292083  
www.weidmueller.com



**Stainless steel enclosures for use in areas exposed to explosion hazards**

The Klippon® TB enclosure range provides excellent performance characteristics, even under the most difficult environmental conditions. In addition, it complies with the stricter requirements of potentially explosive atmospheres found specifically in the process or power generation industries. The new Klippon® TB QL enclosure range offers further improvements to a product line that is already successfully leading the market.

**General ordering data**

Type	KTB QL 303020 S4E1
Order No.	<a href="#">1200070000</a>
Version	Klippon TB QL (Terminal Box - Quarter Lock), Empty enclosure, stainless steel enclosure, Height: 306 mm, Width: 306 mm, Depth: 200 mm, Gland plates: Bottom, Material: Stainless steel 1.4404 (316L), electropolished, silver
GTIN (EAN)	4032248982660
Qty.	1 pc(s).

**Klippon TB QL (Terminal Box - Quarter Lock)  
KTB QL 303020 S4E1**

**Weidmüller Interface GmbH & Co. KG**  
 Klingenbergstraße 16  
 D-32758 Detmold  
 Germany  
 Fon: +49 5231 14-0  
 Fax: +49 5231 14-292083  
 www.weidmueller.com

**Technical data****Dimensions and weights**

Width	306 mm	Width (inches)	12.047 inch
Height	306 mm	Height (inches)	12.047 inch
Depth	200 mm	Depth (inches)	7.874 inch
Mounting dimension - width	332 mm	Mounting dimension - height	203 mm
Net weight	6,800 g		

**Cable glands, left**

M12	33	M16	22
M20	14	M25	12
M32	6	M40	5
M50	2	M63	2
M75	1		

**Cable glands, right**

M12	33	M16	22
M20	14	M25	12
M32	6	M40	5
M50	2	M63	2
M75	1		

**Cable glands, top/bottom**

M12	40	M16	26
M20	17	M25	14
M32	8	M40	6
M50	3	M63	2
M75	2		

**Certificate numbers enclosure**

Certificate no. assembled enclosure (ATEX)	IBExU14ATEX1050	Certificate no. empty enclosure (ATEX)	IBExU14ATEX1028 U
Certificate no. assembled enclosure (IECEX)	IECEX IBE 14.0013	Certificate no. empty enclosure (IECEX)	IECEX IBE 14.0004U
Certificate no., assembled enclosure (EAC)	RU C-DE.ГБ08.B.01328	Certificate no., empty enclosure (EAC)	RU C-DE.ГБ08.B.00472
Certificate no. assembled enclosure (INMETRO)	IEx 17.0021	Certificate no. empty enclosure (INMETRO)	IEx 17.0020U
Certificate no. assembled enclosure (AEx)	E223792	Certificate no. empty enclosure (NEPSI)	GYJ14.1308U
Certificate no. assembled enclosure (NEPSI)	GYJ14.1309	Certificate no., assembled enclosure (KOSHA)	16-AV4BO-0245X
Certificate no. (cULus)	E243298		

## Klippon TB QL (Terminal Box - Quarter Lock) KTB QL 303020 S4E1

**Weidmüller Interface GmbH & Co. KG**  
Klingenbergstraße 16  
D-32758 Detmold  
Germany  
Fon: +49 5231 14-0  
Fax: +49 5231 14-292083  
www.weidmueller.com

### Technical data

#### General information

AF size 1	10 mm	Access opening: height	253 mm
Access opening: width		Areas of use	Explosive risk zone, Process industry, Oil and gas industry, Chemical industry, Offshore, Onshore
	247 mm	Installation advice	Terminal rail / mounting plate
Gland plates	Bottom	Material thickness of cover	1.5 mm
Material thickness	1.5 mm	Max. payload	37 kg
Material thickness of flange	3 mm	Overall dimensions	317 x 357 x 210
Opening angle lid	130 °	Standards	DIN EN 62208 - Empty enclosure standard, DIN EN 61373 Class 1B**, DIN EN 15085-2, EN 60079-0, EN 60079-7, EN 60079-31, IEC 60079-0, IEC 60079-7, IEC 60079-31
Position PE bolts		Seal material	Silicone
	Page C	Operating temperature, min.	-60 °C
Material	Stainless steel 1.4404 (316L)	Impact resistance	7 J ATEX version, 10 J version standard
Surface finish	electropolished	Note: protection class	If used in temperature ranges above 105 °C, IP protection is limited to IP 66.
Operating temperature, max.	135 °C	Lid attachment	Quarter-turn fastener with slotted insert
Protection degree	IP66		
Enclosure attachment	4 welded-on mounting feet with 11 mm holes (2 slotted feet and 2 cross-shaped feet)		
Integral fixing	4, 6 or 9 stud bolts M6 inner (female) thread		

#### Housing earth

Earth, enclosure, internal	Welded-on M6 stainless-steel earth stud in enclosure body and lid.
----------------------------	--

#### horizontal assembly

WDU 10 / ZDU 10	1x22	WDU 16 / ZDU 16	1x18
WDU 2,5 / ZDU 2,5 / IDU 2,5	2x43	WDU 35 / ZDU 35	1x13
WDU 4 / ZDU 4	2x36	WDU 6 / ZDU 6	2x27

#### vertical assembly

WDU 10 / ZDU 10	1x22	WDU 16 / ZDU 16	1x19
WDU 2,5 / ZDU 2,5 / IDU 2,5	2x44	WDU 35 / ZDU 35	1x14
WDU 4 / ZDU 4	2x37	WDU 6 / ZDU 6	2x28

#### Classifications

ETIM 6.0	EC002503	eClass 6.2	27-14-91-07
eClass 7.1	27-14-91-07	eClass 8.1	27-14-91-07
eClass 9.0	27-18-05-02	eClass 9.1	27-18-05-02

Creation date May 27, 2019 5:06:42 PM CEST

## Klippon TB QL (Terminal Box - Quarter Lock) KTB QL 303020 S4E1

**Weidmüller Interface GmbH & Co. KG**  
 Klingenbergstraße 16  
 D-32758 Detmold  
 Germany  
 Fon: +49 5231 14-0  
 Fax: +49 5231 14-292083  
 www.weidmueller.com

## Technical data

### Product information

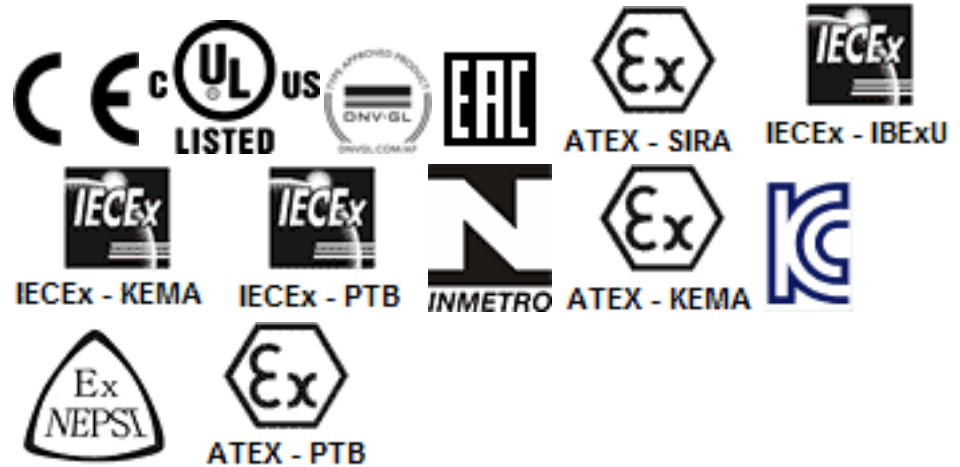
Product information

Minimum Order Quantity is applicable (20 pcs.).

\*\*Customer specific test is required for application compliance.

### Approvals

Approvals



ROHS

Conform

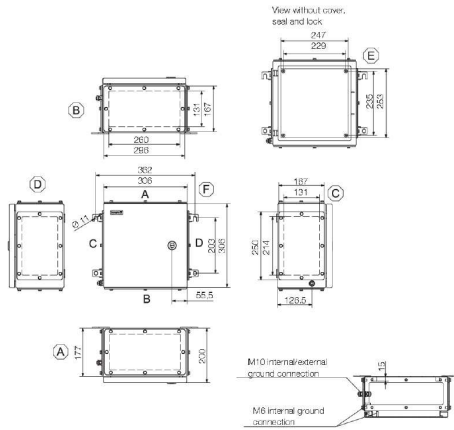
### Downloads

Approval/Certificate/Document of Conformity	<a href="#">Attestation of Conformity - Klippon TB Empty Enclosures - AoC DE PS261X 160309 001ISS01</a> <a href="#">EU Declaration of Conformity - Klippon TB Empty Enclosures - DoC DE PS261X 160412 001ISS01</a>
Brochure/Catalogue	<a href="#">MB OVERV. PROCESS WD DE</a> <a href="#">MB KLIPPON ENCL.TECN EN</a> <a href="#">MB PROCESS EN</a> <a href="#">CAT 5 ENCL 17/18 EN</a> <a href="#">FL WIND 2012 EN</a> <a href="#">FL APPL PROCESS EN</a> <a href="#">FL SHIPBUILDING 2016 EN</a> <a href="#">FL RAILWAY 2014 EN</a> <a href="#">PI KLIPPON TB MH QL EN</a>
Engineering Data	<a href="#">EPLAN, WSCAD</a>
Tender specification	<a href="#">Klippon TB QL 303020 S4E1_1200070000_DE</a> <a href="#">Klippon TB QL 303020 S4E1_1200070000_EN</a> <a href="#">Klippon TB QL 303020 S4E1_1200070000_NL</a>
User Documentation	<a href="#">MB KLIPPON ENCL.TECN DE</a> <a href="#">Assembly guidelines - empty enclosures</a>

**Klippon TB QL (Terminal Box - Quarter Lock)  
KTB QL 303020 S4E1**

**Weidmüller Interface GmbH & Co. KG**  
Klingenbergstraße 16  
D-32758 Detmold  
Germany  
Fon: +49 5231 14-0  
Fax: +49 5231 14-292083  
www.weidmueller.com

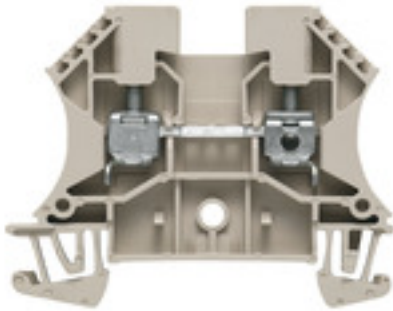
**Drawings**





**W-Series**  
**WDU 4**

**Weidmüller Interface GmbH & Co. KG**  
 Klingenbergstraße 16  
 D-32758 Detmold  
 Germany  
 Fon: +49 5231 14-0  
 Fax: +49 5231 14-292083  
 www.weidmueller.com

**Product image**

**Klippon® Connect with clamping yoke Technology**

The high reliability and variety of designs of the terminal blocks with clamping yoke connections make planning easier and optimises operational safety. Klippon® Connect provides a proven response to a range of different requirements.

**General ordering data**

Type	WDU 4
Order No.	<a href="#">1020100000</a>
Version	Feed-through terminal, Screw connection, 4 mm <sup>2</sup> , 800 V, 32 A, dark beige
GTIN (EAN)	4008190150617
Qty.	100 pc(s).

**W-Series**  
**WDU 4**

**Weidmüller Interface GmbH & Co. KG**  
 Klingenbergstraße 16  
 D-32758 Detmold  
 Germany  
 Fon: +49 5231 14-0  
 Fax: +49 5231 14-292083  
 www.weidmueller.com

**Technical data****Dimensions and weights**

Width	6.1 mm	Width (inches)	0.24 inch
Height	60 mm	Height (inches)	2.362 inch
Depth	46.5 mm	Depth (inches)	1.831 inch
Depth including DIN rail	47 mm	Weight	9 g
Net weight	9.57 g		

**Temperatures**

Operating temperature range	For operating temperature range see EC Design Test Certificate / IEC Ex-Certificate of Conformity	Storage temperature, max.	40 °C
Storage temperature, min.	10 °C	Storage temperature	10 °C...40 °C
Continuous operating temp., min.	-60 °C	Continuous operating temp., max.	130 °C

**Material data**

Material	Wemid	Colour	dark beige
UL 94 flammability rating	V-0		

**Rating data IECEx/ATEX**

Certificate No. (ATEX)	DEMKO14ATEX1338U	Certificate No. (IECEX)	IECEXULD14.0005U
Max. voltage (ATEX)	690 V	Current (ATEX)	32 A
Wire cross section max. (ATEX)	4 mm <sup>2</sup>	Max. voltage (IECEX)	690 V
Current (IECEX)	32 A	Wire cross section max. (IECEX)	4 mm <sup>2</sup>
Operating temperature range	For operating temperature range see EC Design Test Certificate / IEC Ex-Certificate of Conformity	Marking EN 60079-7	Ex eb II C Gb
Ex 2014/34/EU label	II 2 G D		

**System specifications**

Version	Screw connection, for plug-in cross-connector, for screwable cross-connection, One end without connector	Tightening torque (clamping screw for aluminium conductors)	0.5 Nm
Tightening torque (clamping screw for copper conductors)	0.5...1 Nm	End cover plate required	Yes
Number of potentials	1	Number of levels	1
No. of clamping points per level	2	Number of potentials per tier	1
Levels cross-connected internally	No	PE connection	No
Rail	TS 35	N-function	No
PE function	No	PEN function	No

**2 clampable conductors (H05V/H07V) with equal cross-section (rated connection)**

Cross-section for connected wire, solid, two clampable wires, min.	0.5 mm <sup>2</sup>	Cross-section for connected wire, solid, two clampable wires, max.	2.5 mm <sup>2</sup>
Wire connection cross section, finely stranded, two clampable wires, min.	0.5 mm <sup>2</sup>	Wire cross-section, finely stranded, two clampable wires, max.	1.5 mm <sup>2</sup>
Wire connection cross section, finely stranded with wire-end ferrules DIN 46228/1, 2 clampable wires, min.	0.5 mm <sup>2</sup>	Wire connection cross section, finely stranded with wire-end ferrules DIN 46228/1, 2 clampable wires, max.	1.5 mm <sup>2</sup>

**W-Series**  
**WDU 4**

**Weidmüller Interface GmbH & Co. KG**  
 Klingenbergstraße 16  
 D-32758 Detmold  
 Germany  
 Fon: +49 5231 14-0  
 Fax: +49 5231 14-292083  
 www.weidmueller.com

**Technical data****Additional technical data**

Explosion-tested version	Yes	Number of similar terminals	1
Open sides	right	Type of mounting	Snap-on

**CSA rating data**

Certificate No. (CSA)	200039-1057876	Current size B (CSA)	35 A
Current size C (CSA)	35 A	Voltage size C (CSA)	600 V
Wire cross section max. (CSA)	10 AWG	Wire cross section min. (CSA)	26 AWG

**Conductors for clamping (rated connection)**

Blade size	0.6 x 3.5 mm	Clamping range, max.	6 mm <sup>2</sup>
Clamping range, min.	0.13 mm <sup>2</sup>	Clamping screw	M 3
Connection cross-section, stranded, max.	6 mm <sup>2</sup>	Connection cross-section, stranded, min.	1.5 mm <sup>2</sup>
Connection direction	on side	Gauge to IEC 60947-1	A4
Number of connections	2	Stripping length	10 mm
Tightening torque, max.	1 Nm	Tightening torque, min.	0.5 Nm
Torque level with DMS electric screwdriver	2	Twin wire-end ferrules, max.	2.5 mm <sup>2</sup>
Twin wire-end ferrules, min.	0.5 mm <sup>2</sup>	Type of connection	Screw connection
Wire connection cross section AWG, max.	AWG 10	Wire connection cross section AWG, min.	AWG 26
Wire connection cross section, finely stranded, max.	6 mm <sup>2</sup>	Wire connection cross-section, finely stranded with wire-end ferrules DIN 46228/1, max.	4 mm <sup>2</sup>
Wire connection cross-section, finely stranded with wire-end ferrules DIN 46228/1, min.	0.5 mm <sup>2</sup>	Wire connection cross-section, finely stranded with wire-end ferrules DIN 46228/4, max.	4 mm <sup>2</sup>
Wire connection cross-section, finely stranded with wire-end ferrules DIN 46228/4, min.	0.5 mm <sup>2</sup>	Wire connection cross-section, finely stranded, min.	0.5 mm <sup>2</sup>
Wire connection cross-section, solid core, max.	6 mm <sup>2</sup>	Wire connection cross-section, solid core, min.	0.5 mm <sup>2</sup>

**Rating data**

Rated cross-section	4 mm <sup>2</sup>	Rated voltage	800 V
Rated current	32 A	Current at maximum wires	41 A
Standards	IEC 60947-7-1	Volume resistance according to IEC 60947-7-x	1 mΩ
Rated impulse withstand voltage	8 kV	Pollution severity	3

**UL rating data**

Certificate No. (UR)	E60693	Conductor size Factory wiring max. (UR)	10 AWG
Conductor size Factory wiring min. (UR)	26 AWG	Conductor size Field wiring max. (UR)	10 AWG
Conductor size Field wiring min. (UR)	22 AWG	Current size C (UR)	35 A
Voltage size C (UR)	600 V		

**Data sheet**

**W-Series  
WDU 4**

**Weidmüller Interface GmbH & Co. KG**  
 Klingenbergstraße 16  
 D-32758 Detmold  
 Germany  
 Fon: +49 5231 14-0  
 Fax: +49 5231 14-292083  
 www.weidmueller.com

**Technical data**

**Classifications**

ETIM 3.0	EC000897	ETIM 4.0	EC000897
ETIM 5.0	EC000897	ETIM 6.0	EC000897
UNSPSC	30-21-18-11	eClass 5.1	27-14-11-20
eClass 6.2	27-14-11-20	eClass 7.1	27-14-11-20
eClass 8.1	27-14-11-20	eClass 9.0	27-14-11-20
eClass 9.1	27-14-11-20		

**Approvals**

Approvals



ROHS Conform

**Downloads**

Approval/Certificate/Document of Conformity	<a href="#">Attestation of Conformity</a> <a href="#">IECEX Certificate</a> <a href="#">CB Testreport</a> <a href="#">CB Certificate</a> <a href="#">DE_PT1001_20160414_197_ISSUE01.pdf</a> <a href="#">ATEX Certificate</a>
Brochure/Catalogue	<a href="#">CAT 5 ENCL 17/18 EN</a> <a href="#">CAT 1 TERM 16/17 EN</a>
Engineering Data	<a href="#">EPLAN, WSCAD, Zuken E3.S</a>
Engineering Data	<a href="#">STEP</a>
User Documentation	<a href="#">NTI WDU/WPE 4</a>

**Safety note**

Safety notice [Safety Information](#)

**Data sheet**

**W-Series**  
**WDU 4**

**Weidmüller Interface GmbH & Co. KG**  
Klingenbergstraße 16  
D-32758 Detmold  
Germany  
Fon: +49 5231 14-0  
Fax: +49 5231 14-292083  
[www.weidmueller.com](http://www.weidmueller.com)

**Drawings**



**W-Series**  
**WPE 4**

**Weidmüller Interface GmbH & Co. KG**  
 Klingenbergstraße 16  
 D-32758 Detmold  
 Germany  
 Fon: +49 5231 14-0  
 Fax: +49 5231 14-292083  
 www.weidmueller.com

**Product image**

**Klippon® Connect with clamping yoke Technology**

The high reliability and variety of designs of the terminal blocks with clamping yoke connections make planning easier and optimises operational safety. Klippon® Connect provides a proven response to a range of different requirements.

**General ordering data**

Type	WPE 4
Order No.	<a href="#">1010100000</a>
Version	PE terminal, Screw connection, 4 mm <sup>2</sup> , 480 A (4 mm <sup>2</sup> ), Green/yellow
GTIN (EAN)	4008190039820
Qty.	100 pc(s).

**W-Series  
WPE 4**

**Weidmüller Interface GmbH & Co. KG**  
 Klingenbergstraße 16  
 D-32758 Detmold  
 Germany  
 Fon: +49 5231 14-0  
 Fax: +49 5231 14-292083  
 www.weidmueller.com

**Technical data**
**Dimensions and weights**

Width	6.1 mm	Width (inches)	0.24 inch
Height	56 mm	Height (inches)	2.205 inch
Depth	46.5 mm	Depth (inches)	1.831 inch
Depth including DIN rail	47.5 mm	Net weight	18.5 g

**Temperatures**

Operating temperature range	For operating temperature range see EC Design Test Certificate / IEC Ex-Certificate of Conformity	Storage temperature, max.	40 °C
Storage temperature, min.	10 °C	Storage temperature	10 °C...40 °C
Continuous operating temp., min.	-60 °C	Continuous operating temp., max.	130 °C

**Material data**

Material	Wemid	Colour	Green/yellow
UL 94 flammability rating	V-0		

**Rating data IECEx/ATEX**

Certificate No. (ATEX)	DEMKO14ATEX1338U	Certificate No. (IECEX)	IECEXULD14.0005U
Wire cross section max. (ATEX)	4 mm <sup>2</sup>	Wire cross section max. (IECEX)	4 mm <sup>2</sup>
Operating temperature range	For operating temperature range see EC Design Test Certificate / IEC Ex-Certificate of Conformity	Marking EN 60079-7	Ex eb II C Gb
Ex 2014/34/EU label	II 2 G D		

**System specifications**

Version	Screw connection, With PE connection, in closed state	Tightening torque (mounting screw)	0.4...0.8 Nm
Tightening torque (clamping screw for copper conductors)	0.5...1 Nm	End cover plate required	No
Number of potentials	1	Number of levels	1
No. of clamping points per level	2	Number of potentials per tier	1
Levels cross-connected internally	No	PE connection	Yes
Rail	TS 35	N-function	No
PE function	Yes	PEN function	No

**Additional technical data**

Explosion-tested version	Yes	Installation advice	when screwed in
Interlock	for screw fixing	Number of similar terminals	1
Open sides	closed	Type of mounting	when screwed in

**CSA rating data**

Certificate No. (CSA)	200039-1888378	Wire cross section max. (CSA)	10 AWG
Wire cross section min. (CSA)	26 AWG		

**W-Series**  
**WPE 4**

**Weidmüller Interface GmbH & Co. KG**  
 Klingenbergstraße 16  
 D-32758 Detmold  
 Germany  
 Fon: +49 5231 14-0  
 Fax: +49 5231 14-292083  
 www.weidmueller.com

**Technical data****Conductors for clamping (rated connection)**

Blade size	0.6 x 3.5 mm	Clamping range, max.	6 mm <sup>2</sup>
Clamping range, min.	0.13 mm <sup>2</sup>	Clamping screw	M 3
Connection cross-section, stranded, max.	6 mm <sup>2</sup>	Connection cross-section, stranded, min.	0.5 mm <sup>2</sup>
Connection direction	on side	Gauge to IEC 60947-1	A4
Number of connections	2	Stripping length	10 mm
Tightening torque, max.	1 Nm	Tightening torque, min.	0.5 Nm
Torque level with DMS electric screwdriver	2	Type of connection	Screw connection
Wire connection cross section, finely stranded, max.	6 mm <sup>2</sup>	Wire connection cross-section, finely stranded with wire-end ferrules DIN 46228/1, max.	4 mm <sup>2</sup>
Wire connection cross-section, finely stranded with wire-end ferrules DIN 46228/1, min.	0.5 mm <sup>2</sup>	Wire connection cross-section, finely stranded with wire-end ferrules DIN 46228/4, max.	4 mm <sup>2</sup>
Wire connection cross-section, finely stranded with wire-end ferrules DIN 46228/4, min.	0.5 mm <sup>2</sup>	Wire connection cross-section, finely stranded, min.	0.5 mm <sup>2</sup>
Wire connection cross-section, solid core, max.	6 mm <sup>2</sup>	Wire connection cross-section, solid core, min.	0.5 mm <sup>2</sup>

**Dimensions**

TS 35 offset	28 mm
--------------	-------

**PE rating data**

Rated short-time current	480 A (4 mm <sup>2</sup> )	Centre screw on PE terminals	M 2.5
Tightening torque range for fixing screw	0.4...0.8 Nm	PEN function	No

**Rating data**

Rated cross-section	4 mm <sup>2</sup>	Rated voltage to adjoining terminal	800 V
Standards	IEC 60947-7-2	Volume resistance according to IEC 60947-7-x	1 mΩ
Rated impulse withstand voltage to adjacent terminal	8 kV	Pollution severity	3

**UL rating data**

Certificate No. (UR)	E60693	Conductor size Factory wiring max. (UR)	10 AWG
Conductor size Factory wiring min. (UR)	26 AWG	Conductor size Field wiring max. (UR)	10 AWG
Conductor size Field wiring min. (UR)	22 AWG		

**Classifications**

ETIM 3.0	EC000901	ETIM 4.0	EC000491
ETIM 5.0	EC000491	ETIM 6.0	EC000901
UNSPSC	30-21-18-11	eClass 5.1	27-14-03-05
eClass 6.2	27-14-03-05	eClass 7.1	27-14-03-05
eClass 8.1	27-14-11-41	eClass 9.0	27-14-11-41
eClass 9.1	27-14-11-41		



## W-Series WPE 4

**Weidmüller Interface GmbH & Co. KG**  
 Klingenbergstraße 16  
 D-32758 Detmold  
 Germany  
 Fon: +49 5231 14-0  
 Fax: +49 5231 14-292083  
 www.weidmueller.com

## Technical data

### Approvals

Approvals



ROHS Conform

### Downloads

Approval/Certificate/Document of Conformity	<a href="#">Attestation of Conformity</a> <a href="#">IECEx Certificate</a> <a href="#">DE_PT1002_20160418_936_ISSUE01.pdf</a> <a href="#">ATEX Certificate</a>
Brochure/Catalogue	<a href="#">CAT 5 ENCL 17/18 EN</a> <a href="#">CAT 1 TERM 16/17 EN</a>
Engineering Data	<a href="#">EPLAN, WSCAD, Zuken E3.S</a>
Engineering Data	<a href="#">STEP</a>
User Documentation	<a href="#">NTI WDU/WPE 4</a> <a href="#">NTI WDU/WPE 4 SL EN</a>

### Safety note

Safety notice [Safety Information](#)

**Data sheet**

**W-Series**  
**WPE 4**

**Weidmüller Interface GmbH & Co. KG**  
Klingenbergstraße 16  
D-32758 Detmold  
Germany  
Fon: +49 5231 14-0  
Fax: +49 5231 14-292083  
[www.weidmueller.com](http://www.weidmueller.com)

**Drawings**

