

Klippon TB (Terminal Box) KTB QL 484820 Exe

Weidmüller Interface GmbH & Co. KG
Klingenbergstraße 16
D-32758 Detmold
Germany
Fon: +49 5231 14-0
Fax: +49 5231 14-292083
www.weidmueller.com



The Klippon® brand has long stood for competence and quality in housings, particularly when customer solutions for standard industrial applications and applications in explosive risk zones are concerned.

Weidmüller meets these requirements with its range of steel sheet enclosures in the new Klippon® TB series, available in Multi-Hinge (MH) and Quarter-Lock (QL) versions, the Klippon® STB series and the aluminium enclosures of the Klippon® K series.

The portfolio is rounded off with the polyester enclosures of the Klippon® POK series and the polycarbonate enclosures.

Irrespective of which application users are planning, Weidmüller offers numerous precisely fitting housing solutions and individual services: turnkey enclosures with customer-specific configurations such as terminal rails, drilled holes, cable glands, cutouts, special coatings and much more besides.

General ordering data

Type	KTB QL 484820 Exe
Order No.	8000028401
Version	Klippon TB (Terminal Box), Terminal Box, stainless steel enclosure, Height: 480 mm, Width: 480 mm, Depth: 200 mm, Gland plates: Bottom, Material: Stainless steel 1.4404 (316L), electropolished, silver
GTIN (EAN)	4050118649154
Qty.	1 pc(s).
Reference product	1200510000 1020100000 1010100000

Data sheet

**Klippon TB (Terminal Box)
KTB QL 484820 Exe**

Weidmüller Interface GmbH & Co. KG
Klingenbergstraße 16
D-32758 Detmold
Germany
Fon: +49 5231 14-0
Fax: +49 5231 14-292083
www.weidmueller.com

Technical data

Dimensions and weights

Width	480 mm	Width (inches)	18.898 inch
Height	480 mm	Height (inches)	18.898 inch
Depth	200 mm	Depth (inches)	7.874 inch
Mounting dimension - width	506 mm	Mounting dimension - height	327 mm
Net weight	1 g	Diameter	11 mm

Certificate numbers enclosure

Certificate no. assembled enclosure (ATEX)	IBExU14ATEX1050	Certificate no. assembled enclosure (IECEX)	IECEX IBE 14.0013
Identification	Ex eb IIC T6 Gb		

vertical assembly

WDU 4 / ZDU 4	1x66, 1x59, 5 x PE
---------------	--------------------

Housing

Drill holes side A	none	Drill holes side B	2 x M20, 2 x M25, 1 x M40
Drill holes side C	none	Drill holes side D	none
Material	Stainless steel 1.4404 (316L)	Material type plate	Polyester coated with aluminium

Classifications

ETIM 6.0	EC002503	eClass 6.2	27-18-05-02
eClass 9.0	27-18-05-02	eClass 9.1	27-18-05-02

Approvals

Approvals	
Approvals	CE; ATEX; IECEX

Downloads

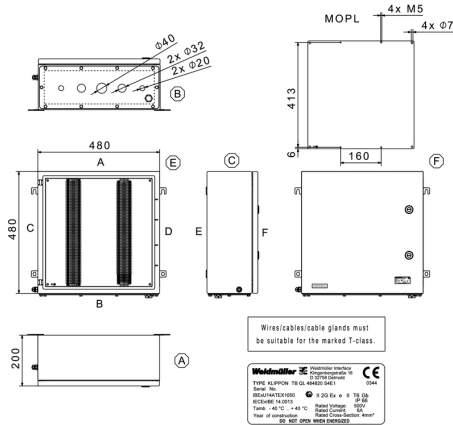
Brochure/Catalogue	CAT 5 ENCL 17/18 EN
--------------------	-------------------------------------

Data sheet

**Klippon TB (Terminal Box)
KTB QL 484820 Exe**

Weidmüller Interface GmbH & Co. KG
Klingenbergstraße 16
D-32758 Detmold
Germany
Fon: +49 5231 14-0
Fax: +49 5231 14-292083
www.weidmueller.com

Drawings



Klippon TB QL (Terminal Box - Quarter Lock) KTB QL 484820 S4E1

Weidmüller Interface GmbH & Co. KG
Klingenbergstraße 16
D-32758 Detmold
Germany
Fon: +49 5231 14-0
Fax: +49 5231 14-292083
www.weidmueller.com

Product image



Abbildung ähnlich

Stainless steel enclosures for use in areas exposed to explosion hazards

The Klippon® TB enclosure range provides excellent performance characteristics, even under the most difficult environmental conditions. In addition, it complies with the stricter requirements of potentially explosive atmospheres found specifically in the process or power generation industries. The new Klippon® TB QL enclosure range offers further improvements to a product line that is already successfully leading the market.

General ordering data

Type	KTB QL 484820 S4E1
Order No.	1200510000
Version	Klippon TB QL (Terminal Box - Quarter Lock), Empty enclosure, stainless steel enclosure, Height: 480 mm, Width: 480 mm, Depth: 200 mm, Gland plates: Bottom, Material: Stainless steel 1.4404 (316L), electropolished, silver
GTIN (EAN)	4032248983346
Qty.	1 pc(s).

**Klippon TB QL (Terminal Box - Quarter Lock)
KTB QL 484820 S4E1**

Weidmüller Interface GmbH & Co. KG
Klingenbergstraße 16
D-32758 Detmold
Germany
Fon: +49 5231 14-0
Fax: +49 5231 14-292083
www.weidmueller.com

Technical data
Dimensions and weights

Width	480 mm	Width (inches)	18.898 inch
Height	480 mm	Height (inches)	18.898 inch
Depth	200 mm	Depth (inches)	7.874 inch
Mounting dimension - width	506 mm	Mounting dimension - height	327 mm
Net weight	14,500 g		

Cable glands, left

M12	60	M16	40
M20	26	M25	21
M32	12	M40	10
M50	4	M63	4
M75	3		

Cable glands, right

M12	60	M16	40
M20	26	M25	21
M32	12	M40	10
M50	4	M63	4
M75	3		

Cable glands, top/bottom

M12	65	M16	44
M20	29	M25	24
M32	13	M40	11
M50	5	M63	4
M75	3		

Certificate numbers enclosure

Certificate no. assembled enclosure (ATEX)	IBExU14ATEX1050	Certificate no. empty enclosure (ATEX)	IBExU14ATEX1028 U
Certificate no. assembled enclosure (IECEX)	IECEX IBE 14.0013	Certificate no. empty enclosure (IECEX)	IECEX IBE 14.0004U
Certificate no., assembled enclosure (EAC)	RU C-DE.ГБ08.B.01328	Certificate no., empty enclosure (EAC)	RU C-DE.ГБ08.B.00472
Certificate no. assembled enclosure (INMETRO)	IEx 17.0021	Certificate no. empty enclosure (INMETRO)	IEx 17.0020U
Certificate no. assembled enclosure (AEx)	E223792	Certificate no. empty enclosure (NEPSI)	GYJ14.1308U
Certificate no. assembled enclosure (NEPSI)	GYJ14.1309	Certificate no., assembled enclosure (KOSHA)	16-AV4BO-0245X
Certificate no. (cULus)	E243298		

Klippon TB QL (Terminal Box - Quarter Lock) KTB QL 484820 S4E1

Weidmüller Interface GmbH & Co. KG
Klingenbergstraße 16
D-32758 Detmold
Germany
Fon: +49 5231 14-0
Fax: +49 5231 14-292083
www.weidmueller.com

Technical data

General information

AF size 1	10 mm	Access opening: height	427 mm
Access opening: width		Areas of use	Explosive risk zone, Process industry, Oil and gas industry, Chemical industry, Offshore, Onshore
	421 mm	Installation advice	Terminal rail / mounting plate
Gland plates	Bottom	Material thickness of cover	1.5 mm
Material thickness	1.5 mm	Max. payload	92 kg
Material thickness of flange	3 mm	Overall dimensions	491 x 531 x 210
Opening angle lid	130 °	Standards	DIN EN 62208 - Empty enclosure standard, DIN EN 61373 Class 1B**, DIN EN 15085-2, EN 60079-0, EN 60079-7, EN 60079-31, IEC 60079-0, IEC 60079-7, IEC 60079-31
Position PE bolts		Seal material	Silicone
	Page C	Operating temperature, min.	-60 °C
Material	Stainless steel 1.4404 (316L)	Impact resistance	7 J ATEX version, 10 J version standard
Surface finish	electropolished	Note: protection class	If used in temperature ranges above 105 °C, IP protection is limited to IP 66.
Operating temperature, max.	135 °C	Lid attachment	Quarter-turn fastener with slotted insert
Protection degree	IP66		
Enclosure attachment	4 welded-on mounting feet with 11 mm holes (2 slotted feet and 2 cross-shaped feet)		
Integral fixing	4, 6 or 9 stud bolts M6 inner (female) thread		

Housing earth

Earth, enclosure, internal	Welded-on M6 stainless-steel earth stud in enclosure body and lid.
----------------------------	--

horizontal assembly

WDU 10 / ZDU 10	3x39	WDU 16 / ZDU 16	2x32
WDU 2,5 / ZDU 2,5 / IDU 2,5	4x77	WDU 35 / ZDU 35	2x24
WDU 4 / ZDU 4	3x64	WDU 6 / ZDU 6	3x48

vertical assembly

WDU 10 / ZDU 10	2x39	WDU 16 / ZDU 16	2x33
WDU 2,5 / ZDU 2,5 / IDU 2,5	4x78	WDU 35 / ZDU 35	1x25
WDU 4 / ZDU 4	3x65	WDU 6 / ZDU 6	3x49

Classifications

ETIM 6.0	EC002503	eClass 6.2	27-14-91-07
eClass 7.1	27-14-91-07	eClass 8.1	27-14-91-07
eClass 9.0	27-18-05-02	eClass 9.1	27-18-05-02

Creation date May 27, 2019 5:06:45 PM CEST

**Klippon TB QL (Terminal Box - Quarter Lock)
KTB QL 484820 S4E1**

Weidmüller Interface GmbH & Co. KG
Klingenbergstraße 16
D-32758 Detmold
Germany
Fon: +49 5231 14-0
Fax: +49 5231 14-292083
www.weidmueller.com

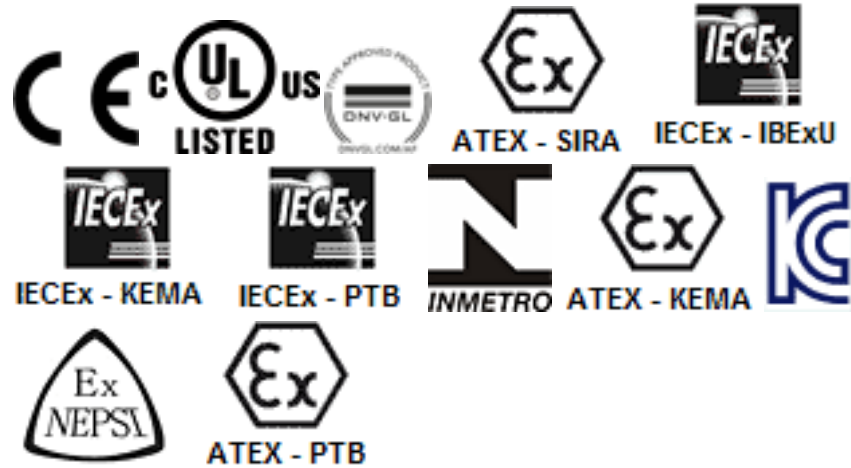
Technical data

Product information

Product information Minimum order quantity (10 pieces)**A customised test is required to guarantee application compliance

Approvals

Approvals



ROHS Conform

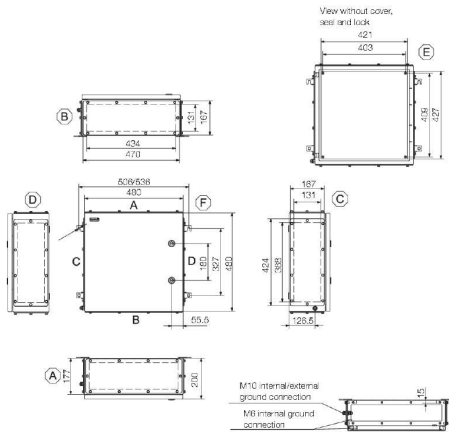
Downloads

Approval/Certificate/Document of Conformity	Attestation of Conformity - Klippon TB Empty Enclosures - AoC DE PS261X 160309 001ISS01 EU Declaration of Conformity - Klippon TB Empty Enclosures - DoC DE PS261X 160412 001ISS01
Brochure/Catalogue	MB OVERV. PROCESS WD DE MB KLIPPON ENCL.TECN EN MB PROCESS EN CAT 5 ENCL 17/18 EN FL WIND 2012 EN FL APPL PROCESS EN FL SHIPBUILDING 2016 EN FL RAILWAY 2014 EN PI KLIPPON TB MH QL EN
Engineering Data	EPLAN, WSCAD
Tender specification	Klippon TB QL 484820 S4E1_1200510000_DE Klippon TB QL 484820 S4E1_1200510000_EN Klippon TB QL 484820 S4E1_1200510000_NL
User Documentation	MB KLIPPON ENCL.TECN DE Assembly guidelines - empty enclosures

**Klippon TB QL (Terminal Box - Quarter Lock)
KTB QL 484820 S4E1**

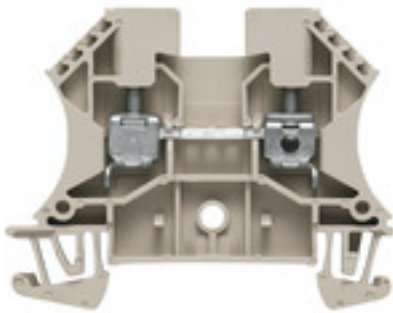
Weidmüller Interface GmbH & Co. KG
Klingenbergstraße 16
D-32758 Detmold
Germany
Fon: +49 5231 14-0
Fax: +49 5231 14-292083
www.weidmueller.com

Drawings



W-Series
WDU 4

Weidmüller Interface GmbH & Co. KG
 Klingenbergstraße 16
 D-32758 Detmold
 Germany
 Fon: +49 5231 14-0
 Fax: +49 5231 14-292083
 www.weidmueller.com

Product image

Klippon® Connect with clamping yoke Technology

The high reliability and variety of designs of the terminal blocks with clamping yoke connections make planning easier and optimises operational safety. Klippon® Connect provides a proven response to a range of different requirements.

General ordering data

Type	WDU 4
Order No.	1020100000
Version	Feed-through terminal, Screw connection, 4 mm ² , 800 V, 32 A, dark beige
GTIN (EAN)	4008190150617
Qty.	100 pc(s).

W-Series
WDU 4

Weidmüller Interface GmbH & Co. KG
 Klingenbergstraße 16
 D-32758 Detmold
 Germany
 Fon: +49 5231 14-0
 Fax: +49 5231 14-292083
 www.weidmueller.com

Technical data**Dimensions and weights**

Width	6.1 mm	Width (inches)	0.24 inch
Height	60 mm	Height (inches)	2.362 inch
Depth	46.5 mm	Depth (inches)	1.831 inch
Depth including DIN rail	47 mm	Weight	9 g
Net weight	9.57 g		

Temperatures

Operating temperature range	For operating temperature range see EC Design Test Certificate / IEC Ex-Certificate of Conformity	Storage temperature, max.	40 °C
Storage temperature, min.	10 °C	Storage temperature	10 °C...40 °C
Continuous operating temp., min.	-60 °C	Continuous operating temp., max.	130 °C

Material data

Material	Wemid	Colour	dark beige
UL 94 flammability rating	V-0		

Rating data IECEx/ATEX

Certificate No. (ATEX)	DEMKO14ATEX1338U	Certificate No. (IECEX)	IECEXULD14.0005U
Max. voltage (ATEX)	690 V	Current (ATEX)	32 A
Wire cross section max. (ATEX)	4 mm ²	Max. voltage (IECEX)	690 V
Current (IECEX)	32 A	Wire cross section max. (IECEX)	4 mm ²
Operating temperature range	For operating temperature range see EC Design Test Certificate / IEC Ex-Certificate of Conformity	Marking EN 60079-7	Ex eb II C Gb
Ex 2014/34/EU label	II 2 G D		

System specifications

Version	Screw connection, for plug-in cross-connector, for screwable cross-connection, One end without connector	Tightening torque (clamping screw for aluminium conductors)	0.5 Nm
Tightening torque (clamping screw for copper conductors)	0.5...1 Nm	End cover plate required	Yes
Number of potentials	1	Number of levels	1
No. of clamping points per level	2	Number of potentials per tier	1
Levels cross-connected internally	No	PE connection	No
Rail	TS 35	N-function	No
PE function	No	PEN function	No

2 clampable conductors (H05V/H07V) with equal cross-section (rated connection)

Cross-section for connected wire, solid, two clampable wires, min.	0.5 mm ²	Cross-section for connected wire, solid, two clampable wires, max.	2.5 mm ²
Wire connection cross section, finely stranded, two clampable wires, min.	0.5 mm ²	Wire cross-section, finely stranded, two clampable wires, max.	1.5 mm ²
Wire connection cross section, finely stranded with wire-end ferrules DIN 46228/1, 2 clampable wires, min.	0.5 mm ²	Wire connection cross section, finely stranded with wire-end ferrules DIN 46228/1, 2 clampable wires, max.	1.5 mm ²

W-Series
WDU 4

Weidmüller Interface GmbH & Co. KG
 Klingenbergstraße 16
 D-32758 Detmold
 Germany
 Fon: +49 5231 14-0
 Fax: +49 5231 14-292083
 www.weidmueller.com

Technical data**Additional technical data**

Explosion-tested version	Yes	Number of similar terminals	1
Open sides	right	Type of mounting	Snap-on

CSA rating data

Certificate No. (CSA)	200039-1057876	Current size B (CSA)	35 A
Current size C (CSA)	35 A	Voltage size C (CSA)	600 V
Wire cross section max. (CSA)	10 AWG	Wire cross section min. (CSA)	26 AWG

Conductors for clamping (rated connection)

Blade size	0.6 x 3.5 mm	Clamping range, max.	6 mm ²
Clamping range, min.	0.13 mm ²	Clamping screw	M 3
Connection cross-section, stranded, max.	6 mm ²	Connection cross-section, stranded, min.	1.5 mm ²
Connection direction	on side	Gauge to IEC 60947-1	A4
Number of connections	2	Stripping length	10 mm
Tightening torque, max.	1 Nm	Tightening torque, min.	0.5 Nm
Torque level with DMS electric screwdriver	2	Twin wire-end ferrules, max.	2.5 mm ²
Twin wire-end ferrules, min.	0.5 mm ²	Type of connection	Screw connection
Wire connection cross section AWG, max.	AWG 10	Wire connection cross section AWG, min.	AWG 26
Wire connection cross section, finely stranded, max.	6 mm ²	Wire connection cross-section, finely stranded with wire-end ferrules DIN 46228/1, max.	4 mm ²
Wire connection cross-section, finely stranded with wire-end ferrules DIN 46228/1, min.	0.5 mm ²	Wire connection cross-section, finely stranded with wire-end ferrules DIN 46228/4, max.	4 mm ²
Wire connection cross-section, finely stranded with wire-end ferrules DIN 46228/4, min.	0.5 mm ²	Wire connection cross-section, finely stranded, min.	0.5 mm ²
Wire connection cross-section, solid core, max.	6 mm ²	Wire connection cross-section, solid core, min.	0.5 mm ²

Rating data

Rated cross-section	4 mm ²	Rated voltage	800 V
Rated current	32 A	Current at maximum wires	41 A
Standards	IEC 60947-7-1	Volume resistance according to IEC 60947-7-x	1 mΩ
Rated impulse withstand voltage	8 kV	Pollution severity	3

UL rating data

Certificate No. (UR)	E60693	Conductor size Factory wiring max. (UR)	10 AWG
Conductor size Factory wiring min. (UR)	26 AWG	Conductor size Field wiring max. (UR)	10 AWG
Conductor size Field wiring min. (UR)	22 AWG	Current size C (UR)	35 A
Voltage size C (UR)	600 V		

**W-Series
WDU 4**

Weidmüller Interface GmbH & Co. KG
 Klingenbergstraße 16
 D-32758 Detmold
 Germany
 Fon: +49 5231 14-0
 Fax: +49 5231 14-292083
 www.weidmueller.com

Technical data

Classifications

ETIM 3.0	EC000897	ETIM 4.0	EC000897
ETIM 5.0	EC000897	ETIM 6.0	EC000897
UNSPSC	30-21-18-11	eClass 5.1	27-14-11-20
eClass 6.2	27-14-11-20	eClass 7.1	27-14-11-20
eClass 8.1	27-14-11-20	eClass 9.0	27-14-11-20
eClass 9.1	27-14-11-20		

Approvals

Approvals



ROHS Conform

Downloads

Approval/Certificate/Document of Conformity	Attestation of Conformity IECEX Certificate CB Testreport CB Certificate DE_PT1001_20160414_197_ISSUE01.pdf ATEX Certificate
Brochure/Catalogue	CAT 5 ENCL 17/18 EN CAT 1 TERM 16/17 EN
Engineering Data	EPLAN, WSCAD, Zuken E3.S
Engineering Data	STEP
User Documentation	NTI WDU/WPE 4

Safety note

Safety notice [Safety Information](#)

Data sheet

W-Series
WDU 4

Weidmüller Interface GmbH & Co. KG
Klingenbergstraße 16
D-32758 Detmold
Germany
Fon: +49 5231 14-0
Fax: +49 5231 14-292083
www.weidmueller.com

Drawings



W-Series
WPE 4

Weidmüller Interface GmbH & Co. KG
 Klingenbergstraße 16
 D-32758 Detmold
 Germany
 Fon: +49 5231 14-0
 Fax: +49 5231 14-292083
 www.weidmueller.com

Product image

Klippon® Connect with clamping yoke Technology

The high reliability and variety of designs of the terminal blocks with clamping yoke connections make planning easier and optimises operational safety. Klippon® Connect provides a proven response to a range of different requirements.

General ordering data

Type	WPE 4
Order No.	1010100000
Version	PE terminal, Screw connection, 4 mm ² , 480 A (4 mm ²), Green/yellow
GTIN (EAN)	4008190039820
Qty.	100 pc(s).

W-Series WPE 4

Weidmüller Interface GmbH & Co. KG
 Klingenbergstraße 16
 D-32758 Detmold
 Germany
 Fon: +49 5231 14-0
 Fax: +49 5231 14-292083
 www.weidmueller.com

Technical data

Dimensions and weights

Width	6.1 mm	Width (inches)	0.24 inch
Height	56 mm	Height (inches)	2.205 inch
Depth	46.5 mm	Depth (inches)	1.831 inch
Depth including DIN rail	47.5 mm	Net weight	18.5 g

Temperatures

Operating temperature range	For operating temperature range see EC Design Test Certificate / IEC Ex-Certificate of Conformity	Storage temperature, max.	40 °C
Storage temperature, min.	10 °C	Storage temperature	10 °C...40 °C
Continuous operating temp., min.	-60 °C	Continuous operating temp., max.	130 °C

Material data

Material	Wemid	Colour	Green/yellow
UL 94 flammability rating	V-0		

Rating data IECEx/ATEX

Certificate No. (ATEX)	DEMKO14ATEX1338U	Certificate No. (IECEX)	IECEXULD14.0005U
Wire cross section max. (ATEX)	4 mm ²	Wire cross section max. (IECEX)	4 mm ²
Operating temperature range	For operating temperature range see EC Design Test Certificate / IEC Ex-Certificate of Conformity	Marking EN 60079-7	Ex eb II C Gb
Ex 2014/34/EU label	II 2 G D		

System specifications

Version	Screw connection, With PE connection, in closed state	Tightening torque (mounting screw)	0.4...0.8 Nm
Tightening torque (clamping screw for copper conductors)	0.5...1 Nm	End cover plate required	No
Number of potentials	1	Number of levels	1
No. of clamping points per level	2	Number of potentials per tier	1
Levels cross-connected internally	No	PE connection	Yes
Rail	TS 35	N-function	No
PE function	Yes	PEN function	No

Additional technical data

Explosion-tested version	Yes	Installation advice	when screwed in
Interlock	for screw fixing	Number of similar terminals	1
Open sides	closed	Type of mounting	when screwed in

CSA rating data

Certificate No. (CSA)	200039-1888378	Wire cross section max. (CSA)	10 AWG
Wire cross section min. (CSA)	26 AWG		

W-Series
WPE 4

Weidmüller Interface GmbH & Co. KG
 Klingenbergstraße 16
 D-32758 Detmold
 Germany
 Fon: +49 5231 14-0
 Fax: +49 5231 14-292083
 www.weidmueller.com

Technical data
Conductors for clamping (rated connection)

Blade size	0.6 x 3.5 mm	Clamping range, max.	6 mm ²
Clamping range, min.	0.13 mm ²	Clamping screw	M 3
Connection cross-section, stranded, max.	6 mm ²	Connection cross-section, stranded, min.	0.5 mm ²
Connection direction	on side	Gauge to IEC 60947-1	A4
Number of connections	2	Stripping length	10 mm
Tightening torque, max.	1 Nm	Tightening torque, min.	0.5 Nm
Torque level with DMS electric screwdriver	2	Type of connection	Screw connection
Wire connection cross section, finely stranded, max.	6 mm ²	Wire connection cross-section, finely stranded with wire-end ferrules DIN 46228/1, max.	4 mm ²
Wire connection cross-section, finely stranded with wire-end ferrules DIN 46228/1, min.	0.5 mm ²	Wire connection cross-section, finely stranded with wire-end ferrules DIN 46228/4, max.	4 mm ²
Wire connection cross-section, finely stranded with wire-end ferrules DIN 46228/4, min.	0.5 mm ²	Wire connection cross-section, finely stranded, min.	0.5 mm ²
Wire connection cross-section, solid core, max.	6 mm ²	Wire connection cross-section, solid core, min.	0.5 mm ²

Dimensions

TS 35 offset	28 mm
--------------	-------

PE rating data

Rated short-time current	480 A (4 mm ²)	Centre screw on PE terminals	M 2.5
Tightening torque range for fixing screw	0.4...0.8 Nm	PEN function	No

Rating data

Rated cross-section	4 mm ²	Rated voltage to adjoining terminal	800 V
Standards	IEC 60947-7-2	Volume resistance according to IEC 60947-7-x	1 mΩ
Rated impulse withstand voltage to adjacent terminal	8 kV	Pollution severity	3

UL rating data

Certificate No. (UR)	E60693	Conductor size Factory wiring max. (UR)	10 AWG
Conductor size Factory wiring min. (UR)	26 AWG	Conductor size Field wiring max. (UR)	10 AWG
Conductor size Field wiring min. (UR)	22 AWG		

Classifications

ETIM 3.0	EC000901	ETIM 4.0	EC000491
ETIM 5.0	EC000491	ETIM 6.0	EC000901
UNSPSC	30-21-18-11	eClass 5.1	27-14-03-05
eClass 6.2	27-14-03-05	eClass 7.1	27-14-03-05
eClass 8.1	27-14-11-41	eClass 9.0	27-14-11-41
eClass 9.1	27-14-11-41		

Data sheet

**W-Series
WPE 4**

Weidmüller Interface GmbH & Co. KG
 Klingenbergstraße 16
 D-32758 Detmold
 Germany
 Fon: +49 5231 14-0
 Fax: +49 5231 14-292083
 www.weidmueller.com

Technical data

Approvals

Approvals



ROHS Conform

Downloads

Approval/Certificate/Document of Conformity	Attestation of Conformity IECEx Certificate DE_PT1002_20160418_936_ISSUE01.pdf ATEX Certificate
Brochure/Catalogue	CAT 5 ENCL 17/18 EN CAT 1 TERM 16/17 EN
Engineering Data	EPLAN, WSCAD, Zuken E3.S
Engineering Data	STEP
User Documentation	NTI WDU/WPE 4 NTI WDU/WPE 4 SL EN

Safety note

Safety notice [Safety Information](#)

Data sheet

W-Series
WPE 4

Weidmüller Interface GmbH & Co. KG
Klingenbergstraße 16
D-32758 Detmold
Germany
Fon: +49 5231 14-0
Fax: +49 5231 14-292083
www.weidmueller.com

Drawings

