

**D-SERIES DRI  
DRI424012LTD**

**Weidmüller Interface GmbH & Co. KG**  
 Klingenbergstraße 16  
 D-32758 Detmold  
 Germany  
 Fon: +49 5231 14-0  
 Fax: +49 5231 14-292083  
 www.weidmueller.com

**Product image**


Similar to illustration

Relay from the D-SERIES DRI

- 1 or 2 CO contacts
- Robust industrial plug-in connections
- Optional: latching / spring return operable test button with coloured control voltage identification (AC coil: red / DC coil: blue)
- Optional: Mechanical switch position indication (for version with test button)
- Optional: Bright status LED (AC coil: red / DC coil: green)
- Optional: free-wheeling diode

**General ordering data**

|            |   |
|------------|---|
| Type       | DRI424012LTD  |
| Order No.  | <a href="#">7760056339</a>  |
| Version    | D-SERIES DRI, Relay, No. of contacts: 2 CO contact with test button AgNi, Rated control voltage: 12 V DC, Continuous current: 5 A, Flat blade connections (2.5 mm x 0.5 mm) |
| GTIN (EAN) | 6944 169739866  |
| Qty.       | 20 pc(s).   |

**D-SERIES DRI**  
**DRI424012LTD**

**Weidmüller Interface GmbH & Co. KG**  
 Klingenbergstraße 16  
 D-32758 Detmold  
 Germany  
 Fon: +49 5231 14-0  
 Fax: +49 5231 14-292083  
 www.weidmueller.com

**Technical data**
**Dimensions and weights**

|            |         |                 |            |
|------------|---------|-----------------|------------|
| Width      | 13 mm   | Width (inches)  | 0.512 inch |
| Height     | 31 mm   | Height (inches) | 1.22 inch  |
| Depth      | 33.5 mm | Depth (inches)  | 1.319 inch |
| Net weight | 19.75 g |                 |            |

**Temperatures**

|                             |  |                             |                |
|-----------------------------|--|-----------------------------|----------------|
| Humidity                    | 35...85 % rel. humidity, no condensation | Operating temperature, max. | 55 °C          |
| Operating temperature, min. | -40 °C                                   | Storage temperature, max.   | 85 °C          |
| Storage temperature, min.   | -40 °C                                   | Operating temperature       | -40 °C...55 °C |
| Storage temperature         | -40 °C...85 °C                           |                             |                |

**Environmental Product Compliance**

|            |                |
|------------|----------------|
| REACH SVHC | Lead 7439-92-1 |
|------------|----------------|

**Rated data UL**

|                         |         |
|-------------------------|---------|
| Certificate No. (cURus) | E312083 |
|-------------------------|---------|

**Input**

|                       |                     |                                |                |
|-----------------------|---------------------|--------------------------------|----------------|
| Rated control voltage | 12 V DC             | Rated current DC               | 44,4 mA        |
| Power rating          | 530 mW              | Pull-in/drop-out voltage, typ. | 9 V / 1.8 V DC |
| Coil resistance       | 270 Ω ± 10 %        | Status indicator               | Green LED      |
| Protective circuit    | Free-wheeling diode |                                |                |

**Output**

|                            |                            |  |         |
|----------------------------|----------------------------|--|---------|
| Rated switching voltage    | 250 V AC                   | Max. switching voltage, AC             | 250 V   |
| Max. switching voltage, DC | 250 V                      | Continuous current                     | 5 A     |
| Switch-on delay            | ≤ 15 ms                    | Switch-off delay                       | ≤ 10 ms |
| Min. switching power       | 10 mA @ 12 V, 100 mA @ 5 V | Max. switching frequency at rated load | 0.1 Hz  |

**Contact data**

|              |                                      |                         |                                       |
|--------------|--------------------------------------|-------------------------|---------------------------------------|
| Contact type | 2 CO contact with test button (AgNi) | Mechanical service life | 10 x 10 <sup>6</sup> switching cycles |
|--------------|--------------------------------------|-------------------------|---------------------------------------|

**General data**

|             |                |                                      |     |
|-------------|----------------|--------------------------------------|-----|
| Test button | yes (lockable) | Mechanical switch position indicator | Yes |
| Colour      | Transparent    |                                      |     |

**Insulation coordination**

|  |                             |  |                                |
|--|-----------------------------|--|--------------------------------|
| Rated voltage                                  | 300 V                       | Surge voltage category                       | III                            |
| Pollution severity                             | 2                           | Insulating material group                    | IIIa                           |
| Protection degree                              | IP20                        | Dielectric strength, Input/Output            | 5 kV <sub>eff</sub> / 1 min    |
| Creepage and clearance distance input - output | ≥ 4 mm                      | Dielectric strength of neighbouring contacts | 1.5 kV <sub>eff</sub> / 1 min. |
| Dielectric strength of open contact            | 1 kV <sub>eff</sub> / 1 min | Impulse withstand voltage                    | 5 kV (1.2/50 μs)               |

Creation date May 27, 2019 5:14:47 PM CEST

**Data sheet**

**D-SERIES DRI  
DRI424012LTD**

**Weidmüller Interface GmbH & Co. KG**  
 Klingenbergstraße 16  
 D-32758 Detmold  
 Germany  
 Fon: +49 5231 14-0  
 Fax: +49 5231 14-292083  
 www.weidmueller.com

**Technical data**

**Further details of approvals / standards**

|           |  |                         |         |
|-----------|--|-------------------------|---------|
| Standards | IEC 61810-1, EN 60664-1:2007, EN 61000-6-2:2005, EN 61000-6-4:2007 + A1:2011, UL 508 | Certificate No. (cURus) | E312083 |
|-----------|--|-------------------------|---------|

**Connection data**

|                        |  |
|------------------------|--|
| Wire connection method | Flat blade connections (2.5 mm x 0.5 mm) |
|------------------------|--|

**Classifications**

|            |             |            |             |
|------------|-------------|------------|-------------|
| ETIM 5.0   | EC001437    | ETIM 6.0   | EC001437    |
| eClass 6.2 | 27-37-16-01 | eClass 7.1 | 27-37-16-01 |
| eClass 8.1 | 27-37-16-01 | eClass 9.0 | 27-37-16-01 |
| eClass 9.1 | 27-37-16-01 |            |             |

**Approvals**

|           |  |
|-----------|--|
| Approvals |  |
|-----------|--|

|      |         |
|------|---------|
| ROHS | Conform |
|------|---------|

**Downloads**

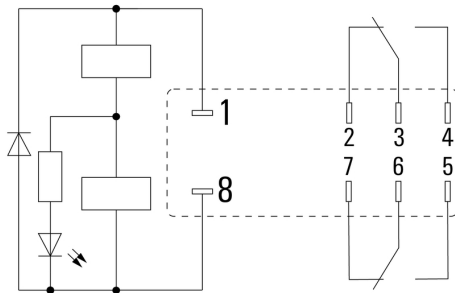
|   |   |
|---|---|
| Approval/Certificate/Document of Conformity | <a href="#">DE_PA_5600_160310_002.pdf</a> |
| Engineering Data                            | <a href="#">EPLAN_WSCAD</a>               |
| Engineering Data                            | <a href="#">STEP</a>                      |

**D-SERIES DRI  
DRI424012LTD**

**Weidmüller Interface GmbH & Co. KG**  
 Klingenbergstraße 16  
 D-32758 Detmold  
 Germany  
 Fon: +49 5231 14-0  
 Fax: +49 5231 14-292083  
 www.weidmueller.com

**Drawings**

**Wiring diagram**

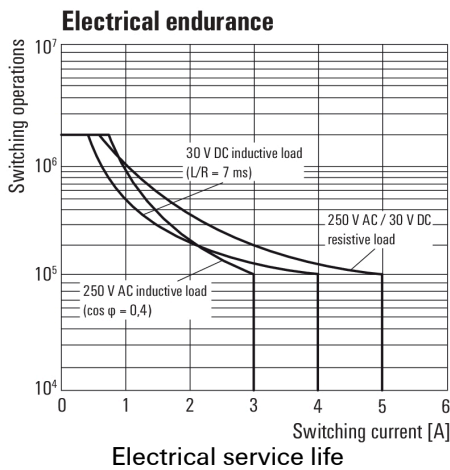


View of Pins from below

**Graph**



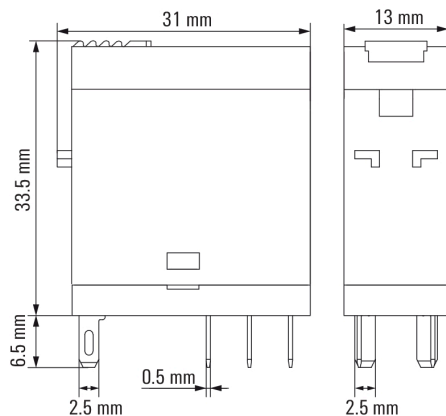
**Graph**



**Graph**



**Dimensional drawing**



**Data sheet**

**D-SERIES DRI  
DRI424012LTD**

**Weidmüller Interface GmbH & Co. KG**  
 Klingenbergstraße 16  
 D-32758 Detmold  
 Germany  
 Fon: +49 5231 14-0  
 Fax: +49 5231 14-292083  
 www.weidmueller.com

**Drawings**

**Miscellaneous**



Type codes