

Klippon Control Station (control and signalling device)

KLIPPON CS POK 121209-4

Weidmüller Interface GmbH & Co. KG
 Klingenbergstraße 16
 D-32758 Detmold
 Germany
 Fon: +49 5231 14-0
 Fax: +49 5231 14-292083
 www.weidmueller.com



On-site control with Ex-certified Klippon® Control Station:
 small command and signalling devices
 Approved operating and display elements in stainless
 steel, aluminium or polyester enclosures.
 You want to control and safeguard your work processes
 in hazardous areas. For on-site control - approved
 Klippon® enclosure solutions with control and display
 elements. Let's connect.

General ordering data

Type	KLIPPON CS POK 121209-4
Order No.	1537120000
Version	Klippon Control Station (control and signalling device), Control / signalling device, KLIPPON POK 121209 EX, Glass-fibre reinforced polyester with graphite mixture, Light module - green, Pushbutton - green, 1 NC contact, 1 NO contacts, -55 °C...+55 °C, IP54, IP66
GTIN (EAN)	4050118341164
Qty.	1 pc(s).
Reference product	1306050000
Cable gland	2017260000

**Klippon Control Station (control and signalling device)
KLIPPON CS POK 121209-4**

Weidmüller Interface GmbH & Co. KG
Klingenbergstraße 16
D-32758 Detmold
Germany
Fon: +49 5231 14-0
Fax: +49 5231 14-292083
www.weidmueller.com

Technical data
Dimensions and weights

Width	120 mm	Width (inches)	4.724 inch
Height	122 mm	Height (inches)	4.803 inch
Height of lowest version	90 mm	Depth	90 mm
Depth (inches)	3.543 inch	Mounting dimension - width	106 mm
Mounting dimension - height	82 mm	Net weight	1,070 g
Depth with add-on components	112 mm		

Certificate numbers enclosure

Certificate no. assembled enclosure (ATEX)	TÜV 14 ATEX 7606 X	Certificate no. assembled enclosure (IECEX)	IECEX ITA 14.0013X
Certificate No. (MARITREG)	15.40082.250		

General information

1 Position in enclosure	Light module - green	2 Position in enclosure	Pushbutton - green
Contact design	1 NC contact, 1 NO contacts	Operating voltage, max.	250 V
Operating current at 40°C ambient temperature, max.	1.5 mm ² - T6 10 A, 1.5 mm ² - T5 16 A, 2.5 mm ² - T6 16 A	Operating current at 55°C ambient temperature, max.	1.5 mm ² - T4 16 A, 1.5 mm ² - T5 10 A, 2.5 mm ² - T5 16 A
Actuators	Pushbutton	Actuator colour	green
Drill holes side B	1 x M25	UL 94 flammability rating	V-0
Lid attachment	Crosshead screws, stainless steel	Seal material of operating and display elements	EPDM
Enclosure seal material	Silicone (VMQ)	Torque for lid screws	2.5 Nm
External earth	Available on request	Marking	II 2 G Ex d e IIC T ⁺ Gb, II 2 D Ex tb IIIC T ⁺ °C Db
Cable gland clamping area, max.	17 mm	Cable gland clamping area, min.	12 mm
Wire connection cross section, finely stranded, max.	2.5 mm ²	Illumination module colour	green
Type of mounting	Wall mounting	Surface finish	untreated
Impact resistance	4 joules in acc. with IEC60079-0	Temperature class	T4, T5, T6
Material	Glass-fibre reinforced polyester with graphite mixture		

Housing

Drill holes side B	Material	Glass-fibre reinforced polyester with graphite mixture
1 x M25		

Classifications

ETIM 6.0	EC002503	eClass 6.2	27-37-12-90
eClass 7.1	27-37-12-90	eClass 8.1	27-37-12-90
eClass 9.0	27-18-05-02	eClass 9.1	27-18-05-90

Approvals

Approvals



Data sheet**Klippon Control Station (control and signalling device)****KLIPPON CS POK 121209-4****Weidmüller Interface GmbH & Co. KG**

Klingenbergstraße 16

D-32758 Detmold

Germany

Fon: +49 5231 14-0

Fax: +49 5231 14-292083

www.weidmueller.com

Technical data**Downloads**

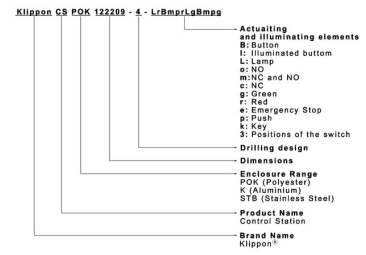
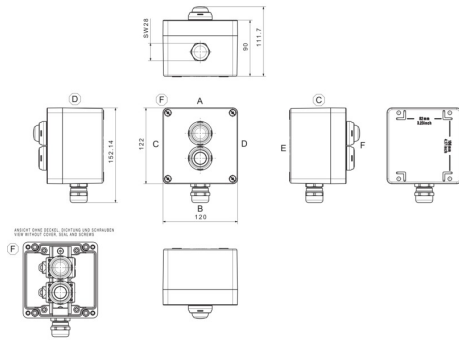
Brochure/Catalogue	CAT 5 ENCL 17/18 EN PI KLIPPON CS EN
Engineering Data	EPLAN, WSCAD
Engineering Data	STEP

Klippon Control Station (control and signalling device)

KLIPPON CS POK 121209-4

Weidmüller Interface GmbH & Co. KG
 Klingenbergstraße 16
 D-32758 Detmold
 Germany
 Fon: +49 5231 14-0
 Fax: +49 5231 14-292083
 www.weidmueller.com

Drawings



Klippon POK (polyester empty enclosure) KLIPPON POK 121209 EX

Weidmüller Interface GmbH & Co. KG
Klingenbergstraße 16
D-32758 Detmold
Germany
Fon: +49 5231 14-0
Fax: +49 5231 14-292083
www.weidmueller.com



Klippon® POK – polyester enclosure

The glass-fibre reinforced polyester enclosures of the Klippon® POK range offer a high-quality solution for protecting electrical components. These enclosures are ideal wherever corrosion resistance, shock resistance and a high degree of protection are required.

Features:

- glass-fibre reinforced polyester
- 17 sizes
- Two standard colours: grey (similar to RAL 7001) and black (similar to RAL 9011)
- Cover with stainless steel screws in cross-head / slotted design
- Moulded gasket made of silicone or chloroprene
- Fixing holes outside the sealed area
- Mounting directly in the enclosure or using an internal mounting plate
- Direct wall mounting possible using fixing holes or mounting feet
- Fastening thread to attach mounting rails and plates
- Weidmüller can manufacture and supply this enclosure to match customer specifications - fitted with all necessary terminals and cable glands.

General ordering data

Type	KLIPPON POK 121209 EX
Order No.	1306050000
Version	Klippon POK (polyester empty enclosure), Empty enclosure, Height: 120 mm, Width: 122 mm, Depth: 90 mm, Material: Glass fibre-reinforced polyester, untreated, polished, black
GTIN (EAN)	4050118108378
Qty.	1 pc(s).
Required tool	9008540000

**Klippon POK (polyester empty enclosure)
KLIPPON POK 121209 EX**

Weidmüller Interface GmbH & Co. KG
Klingenbergstraße 16
D-32758 Detmold
Germany
Fon: +49 5231 14-0
Fax: +49 5231 14-292083
www.weidmueller.com

Technical data
Dimensions and weights

Width	122 mm	Width (inches)	4.803 inch
Height	120 mm	Height (inches)	4.724 inch
Height of lowest version	90 mm	Depth	90 mm
Depth (inches)	3.543 inch	Mounting dimension - width	106 mm
Mounting dimension - height	82 mm	Net weight	769 g

Cable glands, left

M12	8	M16	4
M20	3	M25	1
M32	1		

Cable glands, right

M12	8	M16	4
M20	3	M25	1
M32	1		

Cable glands, top/bottom

M12	12	M16	6
M20	4	M25	2
M32	1		

Certificate numbers enclosure

Certificate no. assembled enclosure (ATEX)	IBExU13ATEX1004 X	Certificate no. empty enclosure (ATEX)	IBExU13ATEX1030 U
Certificate no. assembled enclosure (IECEX)	IECEX IBE 13.0004X	Certificate no. empty enclosure (IECEX)	IECEX IBE 13.0003U
Certificate no., assembled enclosure (EAC)	RU C-DE.ГБ08.B.01328	Certificate no., empty enclosure (EAC)	RU C-DE.ГБ08.B.00472
Certificate no. assembled enclosure (AEx)	E223792	Certificate no. empty enclosure (AEx)	E223792
Certificate no., assembled enclosure (KOSHA)	16-AV4BO-0246X	Certificate No. (GERMILLOYD)	TAE00002R2
Certificate No. (MARITREG)	14.40041.250	Certificate no. (cULus)	E256877

Klippon POK (polyester empty enclosure) KLIPPON POK 121209 EX

Weidmüller Interface GmbH & Co. KG
Klingenbergstraße 16
D-32758 Detmold
Germany
Fon: +49 5231 14-0
Fax: +49 5231 14-292083
www.weidmueller.com

Technical data

General information

Areas of use	Explosive risk zone, Harbour facilities, Machine construction, Process industry, Transportation	Installation advice	Direct mounting, Mounting straps
Material thickness	4.39 mm	Material thickness of cover	4.4 mm
Material thickness of enclosure	4.39 mm	Standards	DIN EN 62208 - Empty enclosure standard, IEC 60079-0, IEC 60079-7, IEC 60079-31
Torque for lid screws	2.5 Nm	UL 94 flammability rating	V-0
Material	Glass fibre-reinforced polyester	Seal material	Silicone
Surface finish	untreated, polished	Operating temperature, min.	-55 °C
Operating temperature, max.	100 °C	Impact resistance	7 J ATEX version
Protection degree	IP66	Enclosure attachment	Installation through the housing rear wall, Fixing lugs
Lid attachment	Slotted/Phillips screws		

General information on accessories

Material	Glass fibre-reinforced polyester	Material thickness	4.39 mm
Mounting dimension - height	82 mm	Mounting dimension - width	106 mm
Surface finish	untreated, polished		

horizontal assembly

WDU 10 / ZDU 10	1x6	WDU 16 / ZDU 16	1x5
WDU 2,5 / ZDU 2,5 / IDU 2,5	1x12	WDU 4 / ZDU 4	1x10
WDU 6 / ZDU 6	1x7		

vertical assembly

WDU 2,5 / ZDU 2,5 / IDU 2,5	*	WDU 4 / ZDU 4	*
-----------------------------	---	---------------	---

Classifications

ETIM 5.0	EC002503	ETIM 6.0	EC002503
eClass 6.2	27-18-05-02	eClass 7.1	27-18-05-02
eClass 8.1	27-18-05-02	eClass 9.0	27-18-05-02
eClass 9.1	27-18-05-02		

Data sheet

**Klippon POK (polyester empty enclosure)
KLIPPON POK 121209 EX**

Weidmüller Interface GmbH & Co. KG
Klingenbergstraße 16
D-32758 Detmold
Germany
Fon: +49 5231 14-0
Fax: +49 5231 14-292083
www.weidmueller.com

Technical data

Approvals

Approvals



ROHS Conform

Downloads

Approval/Certificate/Document of Conformity	Attestation of Conformity - Klippon POK Empty Enclosures - AoC DE PS2600 160308 001ISS01 EU Declaration of Conformity - Klippon POK Empty Enclosures Ex - DoC DE PS2600 160412 001ISS01
Brochure/Catalogue	MB OVERV. PROCESS WD DE MB KLIPPON ENCL.TECN EN MB PROCESS EN CAT 5 ENCL 17/18 EN FL KLIPPON POK EN FL SHIPBUILDING 2016 EN
Engineering Data	EPLAN, WSCAD
Engineering Data	STEP
Tender specification	Klippon POK 121209 Ex_1306050000_DE Klippon POK 121209 Ex_1306050000_EN
User Documentation	MB KLIPPON ENCL.TECN DE Assembly guidelines - empty enclosures

**Klippon POK (polyester empty enclosure)
KLIPPON POK 121209 EX**

Weidmüller Interface GmbH & Co. KG
Klingenbergstraße 16
D-32758 Detmold
Germany
Fon: +49 5231 14-0
Fax: +49 5231 14-292083
www.weidmueller.com

Drawings

