

## Klippon Control Station (control and signalling device) KLIPPON CS K51-4

**Weidmüller Interface GmbH & Co. KG**  
Klingenbergstraße 16  
D-32758 Detmold  
Germany  
Fon: +49 5231 14-0  
Fax: +49 5231 14-292083  
www.weidmueller.com



On-site control with Ex-certified Klippon® Control Station:  
small command and signalling devices  
Approved operating and display elements in stainless  
steel, aluminium or polyester enclosures.  
You want to control and safeguard your work processes  
in hazardous areas. For on-site control - approved  
Klippon® enclosure solutions with control and display  
elements. Let's connect.

### General ordering data

Type	KLIPPON CS K51-4
Order No.	<a href="#">1537580000</a>
Version	Klippon Control Station (control and signalling device), Control / signalling device, KLIPPON K51 EX, Aluminium AISi 12, Light module - red, Pushbutton - red, Light module - green, Pushbutton - green, 2 NC contact, 2 NO contacts, -55 °C...+55 °C, IP54, IP66
GTIN (EAN)	4050118341850
Qty.	1 pc(s).
Reference product	<a href="#">9526940000</a>
Cable gland	<a href="#">1460070000</a>

## Klippon Control Station (control and signalling device)

### KLIPPON CS K51-4

**Weidmüller Interface GmbH & Co. KG**  
 Klingenbergstraße 16  
 D-32758 Detmold  
 Germany  
 Fon: +49 5231 14-0  
 Fax: +49 5231 14-292083  
 www.weidmueller.com

## Technical data

### Dimensions and weights

Width	120 mm	Width (inches)	4.724 inch
Height	220 mm	Height (inches)	8.661 inch
Depth	81 mm	Depth (inches)	3.189 inch
Net weight	1,900 g	Depth with add-on components	103 mm

### Environmental Product Compliance

REACH SVHC Lead 7439-92-1

### Certificate numbers enclosure

Certificate no. assembled enclosure (ATEX)	TÜV 14 ATEX 7606 X	Certificate no. assembled enclosure (IECEX)	IECEX ITA 14.0013X
Certificate No. (MARITREG)	15.40082.250		

### General information

1 Position in enclosure	Light module - red	2 Position in enclosure	Pushbutton - red
3 Position in enclosure	Light module - green	4 Position in enclosure	Pushbutton - green
Contact design	2 NC contact, 2 NO contacts	Operating voltage, max.	250 V
Operating current at 40°C ambient temperature, max.	1.5 mm <sup>2</sup> - T6 10 A, 1.5 mm <sup>2</sup> - T5 16 A, 2.5 mm <sup>2</sup> - T6 16 A	Operating current at 55°C ambient temperature, max.	1.5 mm <sup>2</sup> - T4 16 A, 1.5 mm <sup>2</sup> - T5 10 A, 2.5 mm <sup>2</sup> - T5 16 A
Actuators	Pushbutton	Actuator colour	green, red
Drill holes side B	1 x M25	Lid attachment	Torx®-20 slothead screws
Seal material of operating and display elements	EPDM	Enclosure seal material	Silicone (VMQ)
Torque for lid screws	2.5 Nm	Earth stud torque	2.5 Nm
External earth	M4 earthing studs, stainless steel	Internal earth	Earth terminal
Marking	II 2 G Ex d e IIC T* Gb, II 2 D Ex tb IIIC T*°C Db	Cable gland clamping area, max.	18 mm
Cable gland clamping area, min.	10 mm	Wire connection cross section, finely stranded, max.	2.5 mm <sup>2</sup>
Illumination module colour	red, green	Type of mounting	Wall mounting
Surface finish	Powder-coated	Impact resistance	4 joules in acc. with IEC60079-0
Temperature class	T4, T5, T6	Material	Aluminium AlSi12

### Housing

Drill holes side B	1 x M25	Material	Aluminium AlSi12
--------------------	---------	----------	------------------

### Classifications

ETIM 6.0	EC002503	eClass 6.2	27-37-12-90
eClass 7.1	27-37-12-90	eClass 8.1	27-37-12-90
eClass 9.0	27-18-05-02	eClass 9.1	27-18-05-90

### Approvals

Approvals



Creation date May 27, 2019 5:27:33 PM CEST

Catalogue status 23.05.2019 / We reserve the right to make technical changes.

**Data sheet****Klippon Control Station (control and signalling device)  
KLIPPON CS K51-4**

**Weidmüller Interface GmbH & Co. KG**  
Klingenbergstraße 16  
D-32758 Detmold  
Germany  
Fon: +49 5231 14-0  
Fax: +49 5231 14-292083  
www.weidmueller.com

**Technical data****Downloads**

---

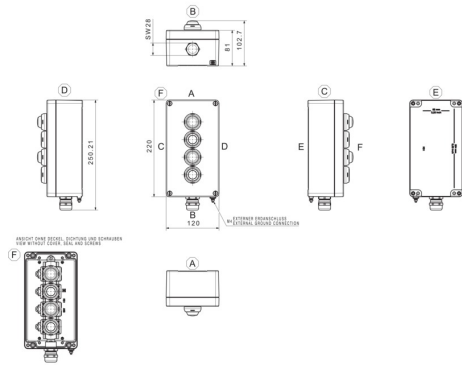
Brochure/Catalogue	<a href="#">CAT 5 ENCL 17/18 EN</a> <a href="#">PI KLIPPON CS EN</a>
Engineering Data	<a href="#">EPLAN, WSCAD</a>
Engineering Data	<a href="#">STEP</a>

---

**Klippon Control Station (control and signalling device)  
KLIPPON CS K51-4**

**Weidmüller Interface GmbH & Co. KG**  
Klingenbergstraße 16  
D-32758 Detmold  
Germany  
Fon: +49 5231 14-0  
Fax: +49 5231 14-292083  
www.weidmueller.com

**Drawings**



- Klippon CS POK 122208 - 4 - LdBmarLaBmpg**
- Actuating and illuminating elements
  - B: Button
  - I: Illuminated button
  - L: Lamp
  - e: NO
  - m/NC and NO
  - e: NC
  - g: Green
  - r: Red
  - s: Emergency Stop
  - p: Push
  - k: Key
  - 3: Positions of the switch
  - Drilling design
  - Dimensions
  - Enclosure Range
  - POK (Polyester)
  - K (Aluminium)
  - STB (Stainless Steel)
  - Product Name
  - Control Station
  - Brand Name
  - Klippon®

## Klippon K (aluminium empty enclosure) KLIPPON K51 EX

**Weidmüller Interface GmbH & Co. KG**  
Klingenbergstraße 16  
D-32758 Detmold  
Germany  
Fon: +49 5231 14-0  
Fax: +49 5231 14-292083  
www.weidmueller.com



The Klippon® brand has long stood for competence and quality in housings – particularly when turnkey, customer-specific solutions for standard industrial applications and applications in explosive risk zones are concerned.

Improved products that meet all application requirements: this was Weidmüller's aim when modernising and upgrading the Klippon® K enclosure series. No matter what kind of application the customer is planning; Weidmüller is able to provide a wide range of aluminium enclosures precisely fitting the customer's requirements.

- Available in two surface finishes: natural and powder-coated (RAL 7001)
- Available with moulded silicone or chloroprene gasket as standard
- Uniform Torx slotted screw head for 19 enclosure sizes
- Mounting holes outside of the gasket area
- High IP protection classes: IP66, IP67 and IP68
- Impact resistance of up to 7 (10) Joules
- The enclosures are approved according ATEX, IECEx, GOST Ex, GOST, cULus, Russian Maritime Register and Germanischer Lloyd as well as the empty enclosure standard.
- Alloy is resistant to salt water
- Standardised distributor enclosures with threaded holes and a variety of terminal configurations

### General ordering data

Type	KLIPPON K51 EX
Order No.	<a href="#">9526940000</a>
Version	Klippon K (aluminium empty enclosure), Empty enclosure, Aluminium enclosure, Height: 120 mm, Width: 220 mm, Depth: 81 mm, Material: Aluminium AlSi12, untreated, silver
GTIN (EAN)	4008190979089
Qty.	1 pc(s).

## Klippon K (aluminium empty enclosure) KLIPPON K51 EX

**Weidmüller Interface GmbH & Co. KG**  
Klingenbergstraße 16  
D-32758 Detmold  
Germany  
Fon: +49 5231 14-0  
Fax: +49 5231 14-292083  
www.weidmueller.com

### Technical data

#### Dimensions and weights

Width	220 mm	Width (inches)	8.661 inch
Height	120 mm	Height (inches)	4.724 inch
Depth	81 mm	Depth (inches)	3.189 inch
Mounting dimension - width	204 mm	Mounting dimension - height	82 mm
Weight	1,280 g	Net weight	1,428 g

#### Environmental Product Compliance

REACH SVHC Lead 7439-92-1

#### Cable glands, left

M12	6	M16	3
M20	2	M25	1
M32	1		

#### Cable glands, right

M12	6	M16	3
M20	2	M25	1
M32	1		

#### Cable glands, top/bottom

M12	23	M16	14
M20	8	M25	5
M32	3	M40	3

#### Certificate numbers enclosure

Certificate no. assembled enclosure (ATEX)	IBExU12ATEX1145 X	Certificate no. empty enclosure (ATEX)	IBExU12ATEX1144 U
Certificate no. assembled enclosure (IECEX)	IECEX IBE 13.0002X	Certificate no. empty enclosure (IECEX)	IECEX IBE 13.0001U
Certificate no., assembled enclosure (EAC)	RU C-DE.ГБ08.В.01328	Certificate no., empty enclosure (EAC)	RU C-DE.ГБ08.В.00472
Certificate No. (GERMLLOYD)	TAE00002SM	Certificate No. (MARITREG)	14.40040.250

#### General information

Areas of use	Explosive risk zone, Process industry, Transportation, Packaging industry, Marine engineering, Machine construction, Harbour facilities	Material thickness	4.5 mm
Material thickness of cover	4 mm	Material thickness of enclosure	4.5 mm
Standards	IEC 60079-0, IEC 60079-7, IEC 60079-31	Torque for lid screws	2.5 Nm
Material	Aluminium AISi12	Seal material	Silicone
Surface finish	untreated	Operating temperature, min.	-60 °C
Operating temperature, max.	135 °C	Impact resistance	7.00 J
Protection degree	IP66, IP67	Enclosure attachment	Holes 6 mm
Lid attachment	M6 torx stainless steel screws with slot	Integral fixing	Threaded holes M5

Creation date May 27, 2019 5:27:33 PM CEST

## Klippon K (aluminium empty enclosure) KLIPPON K51 EX

**Weidmüller Interface GmbH & Co. KG**  
Klingenbergstraße 16  
D-32758 Detmold  
Germany  
Fon: +49 5231 14-0  
Fax: +49 5231 14-292083  
www.weidmueller.com

### Technical data

#### horizontal assembly

WDU 10 / ZDU 10	1x15	WDU 2,5 / ZDU 2,5 / IDU 2,5	1x31
WDU 4 / ZDU 4	1x26	WDU 6 / ZDU 6	1x19

#### vertical assembly

WDU 2,5 / ZDU 2,5 / IDU 2,5	*	WDU 4 / ZDU 4	*
-----------------------------	---	---------------	---

#### Classifications

ETIM 3.0	EC000049	ETIM 4.0	EC002503
ETIM 5.0	EC002503	ETIM 6.0	EC002503
UNSPSC	31-26-15-02	eClass 5.1	27-18-05-02
eClass 6.2	27-18-05-02	eClass 7.1	27-18-05-02
eClass 8.1	27-18-05-02	eClass 9.0	27-18-05-02
eClass 9.1	27-18-05-02		

#### Approvals

Approvals



ROHS

Conform

#### Downloads

Approval/Certificate/Document of Conformity	<a href="#">Attestation of Conformity - Klippon K Empty Enclosures - AoC DE PS2410 160308 001ISS01</a> <a href="#">EU Declaration of Conformity - Klippon K Empty Enclosures - DoC DE PS2410 160412 001ISS01</a>
Brochure/Catalogue	<a href="#">MB OVERV. PROCESS WD DE</a> <a href="#">MB KLIPPON ENCL.TECN EN</a> <a href="#">MB PROCESS EN</a> <a href="#">CAT 5 ENCL 17/18 EN</a> <a href="#">FL RAILWAY 2014 EN</a>
Engineering Data	<a href="#">EPLAN, WSCAD</a>
Engineering Data	<a href="#">STEP</a>
Tender specification	<a href="#">Klippon K51 Ex_9526940000_DE</a> <a href="#">Klippon K51 Ex_9526940000_EN</a>
User Documentation	<a href="#">MB KLIPPON ENCL.TECN DE</a> <a href="#">Assembly guidelines - empty enclosures</a>

**Klippon K (aluminium empty enclosure)  
KLIPPON K51 EX**

**Weidmüller Interface GmbH & Co. KG**  
Klingenbergstraße 16  
D-32758 Detmold  
Germany  
Fon: +49 5231 14-0  
Fax: +49 5231 14-292083  
www.weidmueller.com

**Drawings****Dimensioned drawing**