

Klippon Control Station (control and signalling device) KLIPPON CS STB 2.1-7

Weidmüller Interface GmbH & Co. KG
Klingenbergstraße 16
D-32758 Detmold
Germany
Fon: +49 5231 14-0
Fax: +49 5231 14-292083
www.weidmueller.com



On-site control with Ex-certified Klippon® Control Station:
small command and signalling devices
Approved operating and display elements in stainless
steel, aluminium or polyester enclosures.
You want to control and safeguard your work processes
in hazardous areas. For on-site control - approved
Klippon® enclosure solutions with control and display
elements. Let's connect.

General ordering data

Type	KLIPPON CS STB 2.1-7
Order No.	1537340000
Version	Klippon Control Station (control and signalling device), Control / signalling device, KLIPPON STB 2.1 SS, Stainless steel 1.4404 (316L), Pushbutton - red, Light module - green, Pushbutton - green, 2 NC contact, 2 NO contacts, -55 °C...+55 °C, IP54, IP66
GTIN (EAN)	4050118341393
Qty.	1 pc(s).
Reference product	1002730000
Cable gland	1460070000

Klippon Control Station (control and signalling device)

KLIPPON CS STB 2.1-7

Weidmüller Interface GmbH & Co. KG
 Klingenbergstraße 16
 D-32758 Detmold
 Germany
 Fon: +49 5231 14-0
 Fax: +49 5231 14-292083
 www.weidmueller.com

Technical data

Dimensions and weights

Width	150 mm	Width (inches)	5.905 inch
Height	190 mm	Height (inches)	7.48 inch
Depth	81.5 mm	Depth (inches)	3.209 inch
Mounting dimension - width	145 mm	Net weight	2,200 g
Depth with add-on components	103 mm		

Environmental Product Compliance

REACH SVHC Lead 7439-92-1

Certificate numbers enclosure

Certificate no. assembled enclosure (ATEX)	TÜV 14 ATEX 7606 X	Certificate no. assembled enclosure (IECEx)	IECEx ITA 14.0013X
Certificate No. (MARITREG)	15.40082.250		

General information

1 Position in enclosure	Pushbutton - red	2 Position in enclosure	Light module - green
3 Position in enclosure	Pushbutton - green	Contact design	2 NC contact, 2 NO contacts
Operating voltage, max.	250 V	Operating current at 40°C ambient temperature, max.	1.5 mm ² - T6 10 A, 1.5 mm ² - T5 16 A, 2.5 mm ² - T6 16 A
Operating current at 55°C ambient temperature, max.	1.5 mm ² - T4 16 A, 1.5 mm ² - T5 10 A, 2.5 mm ² - T5 16 A	Actuators	Pushbutton
Actuator colour	red, green	Drill holes side B	1 x M25
Lid attachment	M5 hexagonal screw with slot and 10mm distance across flats	Seal material of operating and display elements	EPDM
Enclosure seal material	Silicone (VMQ)	Torque for lid screws	2.5 Nm
Earth stud torque	7.5 Nm	External earth	M6 earthing studs, stainless steel
Internal earth	M6 x 10 earthing studs integrated in the lid, stainless steel	Marking	II 2 G Ex d e IIC T ⁺ Gb, II 2 D Ex tb IIIC T ⁺ °C Db
Cable gland clamping area, max.	18 mm	Cable gland clamping area, min.	10 mm
Wire connection cross section, finely stranded, max.	2.5 mm ²	Illumination module colour	green
Type of mounting	Wall mounting	Surface finish	Mirror polished
Impact resistance	4 joules in acc. with IEC60079-0	Temperature class	T4, T5, T6
Material	Stainless steel 1.4404 (316L)		

Housing

Drill holes side B	1 x M25	Material	Stainless steel 1.4404 (316L)
--------------------	---------	----------	-------------------------------

Classifications

ETIM 6.0	EC002503	eClass 6.2	27-37-12-90
eClass 7.1	27-37-12-90	eClass 8.1	27-37-12-90
eClass 9.0	27-18-05-02	eClass 9.1	27-18-05-90

Creation date May 27, 2019 5:35:45 PM CEST

Data sheet**Klippon Control Station (control and signalling device)
KLIPPON CS STB 2.1-7**

Weidmüller Interface GmbH & Co. KG
Klingenbergstraße 16
D-32758 Detmold
Germany
Fon: +49 5231 14-0
Fax: +49 5231 14-292083
www.weidmueller.com

Technical data**Approvals**

Approvals

**Downloads**

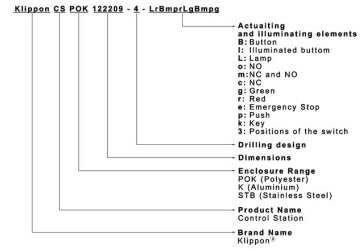
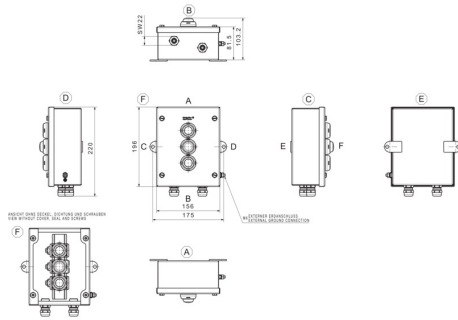
Brochure/Catalogue	CAT 5 ENCL 17/18 EN PI KLIPPON CS EN
Engineering Data	EPLAN_WSCAD
Engineering Data	STEP

Klippon Control Station (control and signalling device)

KLIPPON CS STB 2.1-7

Weidmüller Interface GmbH & Co. KG
 Klingenbergstraße 16
 D-32758 Detmold
 Germany
 Fon: +49 5231 14-0
 Fax: +49 5231 14-292083
 www.weidmueller.com

Drawings



Klippon STB (Small Terminal Box) KLIPPON STB 2.1 SS

Weidmüller Interface GmbH & Co. KG
Klingenbergstraße 16
D-32758 Detmold
Germany
Fon: +49 5231 14-0
Fax: +49 5231 14-292083
www.weidmueller.com

Product image



Ideally suited for the energy, process and transportation industries, the Klippon® STB enclosure series is the perfect complement to our existing Klippon enclosure portfolio. Enclosures in this series are approved according to international standards such as e.g. EN62208 and EN60079-0/7 (ATEX).

- Mirror-polished or electropolished stainless steel 1.4404 (316L), 1.5 mm
- High-temperature-resistant seal as standard - extended temperature range of -60°C to +100°C (+120°C on request)
- Approved according to ATEX, IECEx, cULus, Lloyds Register, Germanischer Lloyd, GOST and INMETRO
- Flexible options for fastening the internal mounting rail
- IP66 protection
- Secure, permanent function of the seal is ensured by seal compression protection
- Earthing stud in the cover and base of the enclosure
- Laser cut weld seams for increased quality
- Already welded-on mounting feet guarantee optimum enclosure installation

Weidmüller can manufacture and supply this enclosure - according to customer specifications - fitted with all necessary terminals and cable glands.

General ordering data

Type	KLIPPON STB 2.1 SS
Order No.	1002730000
Version	Klippon STB (Small Terminal Box), Empty enclosure, stainless steel enclosure, Height: 190 mm, Width: 150 mm, Depth: 90 mm, Material: Stainless steel 1.4404 (316L), Mirror polished, silver
GTIN (EAN)	4032248695669
Qty.	1 pc(s).

Klippon STB (Small Terminal Box)
KLIPPON STB 2.1 SS

Weidmüller Interface GmbH & Co. KG
 Klingenbergstraße 16
 D-32758 Detmold
 Germany
 Fon: +49 5231 14-0
 Fax: +49 5231 14-292083
 www.weidmueller.com

Technical data
Dimensions and weights

Width	150 mm	Width (inches)	5.905 inch
Height	190 mm	Height (inches)	7.48 inch
Depth	90 mm	Depth (inches)	3.543 inch
Mounting dimension - width	175 mm	Weight	2.08 kg
Net weight	2,006 g		

Cable glands, left

M12	15	M16	10
M20	8	M25	3
M32	3	M40	2
M50	1		

Cable glands, right

M12	18	M16	10
M20	10	M25	3
M32	3	M40	2
M50	1		

Cable glands, top/bottom

M12	15	M16	10
M20	8	M25	3
M32	3	M40	2
M50	1		

Certificate numbers enclosure

Certificate no. assembled enclosure (ATEX)	IBExU07ATEX1148	Certificate no. empty enclosure (ATEX)	IBExU 07ATEX1147U
Certificate no. assembled enclosure (IECEX)	IECEX IBE 09.0019	Certificate no. empty enclosure (IECEX)	IECEX IBE 09.0018U
Certificate no., assembled enclosure (EAC)	RU C-DE.ГБ08.B.01328	Certificate no., empty enclosure (EAC)	RU C-DE.ГБ08.B.00472
Certificate no. assembled enclosure (INMETRO)	IEx 13.0003	Certificate no. empty enclosure (INMETRO)	IEx 13.0002U
Certificate no. assembled enclosure (AEx)	E223792	Certificate no., assembled enclosure (KOSHA)	16-AV4BO-0247X
Certificate No. (GERMLLOYD)	59358-08	Certificate No. (MARITREG)	15.40041.250
Certificate no. (cULus)	E256877		

**Klippon STB (Small Terminal Box)
KLIPPON STB 2.1 SS**

Weidmüller Interface GmbH & Co. KG
Klingenbergstraße 16
D-32758 Detmold
Germany
Fon: +49 5231 14-0
Fax: +49 5231 14-292083
www.weidmueller.com

Technical data

General information

Areas of use	Explosive risk zone, Packaging industry, Transportation, Process industry, Marine engineering	Material thickness	1.5 mm
Material thickness of enclosure	1.5 mm	Material	Stainless steel 1.4404 (316L)
Seal material	Silicone	Surface finish	Mirror polished
Operating temperature, min.	-60 °C	Operating temperature, max.	100 °C
Impact resistance	10 J version standard, 7 J ATEX version	Protection degree	IP66
Enclosure attachment	Welded-on mounting foot with 8-mm holes	Lid attachment	M5 hexagonal screw with slot and 10mm distance across flats
Integral fixing	TAS 20 rail welded to floor		

vertical assembly

WDU 10 / ZDU 10	1x15	WDU 16 / ZDU 16	1x13
WDU 2,5 / ZDU 2,5 / IDU 2,5	1x30	WDU 4 / ZDU 4	1x25
WDU 6 / ZDU 6	1x20		

Classifications

ETIM 4.0	EC002600	ETIM 5.0	EC002600
ETIM 6.0	EC002503	eClass 6.2	27-14-91-07
eClass 7.1	27-14-91-07	eClass 8.1	27-14-91-07
eClass 9.0	27-18-05-02	eClass 9.1	27-18-05-02

Product information

Product information: the ambient temperature for the assembly will be reduced to +60°C and the surface temperature to +100°C.

Approvals

Approvals



ROHS Conform

Data sheet

Klippon STB (Small Terminal Box) KLIPPON STB 2.1 SS

Weidmüller Interface GmbH & Co. KG
 Klingenbergstraße 16
 D-32758 Detmold
 Germany
 Fon: +49 5231 14-0
 Fax: +49 5231 14-292083
 www.weidmueller.com

Technical data

Downloads

Approval/Certificate/Document of Conformity	Attestation of Conformity - Klippon STB Empty Enclosures - AoC DE PS2620 160308 001ISS01 EU Declaration of Conformity - Klippon STB Empty Enclosures Ex - DoC DE PS2620 160412 001ISS01
Brochure/Catalogue	MB OVERV. PROCESS WD DE MB KLIPPON ENCL.TECN EN MB PROCESS EN CAT 5 ENCL 17/18 EN FL KLIPPON STB EN FL SHIPBUILDING 2016 EN
Engineering Data	EPLAN, WSCAD
Engineering Data	STEP
Tender specification	Klippon STB 2.1 SS_1002730000_DE Klippon STB 2.1 SS_1002730000_EN
User Documentation	MB KLIPPON ENCL.TECN DE Assembly guidelines - empty enclosures

**Klippon STB (Small Terminal Box)
KLIPPON STB 2.1 SS**

Weidmüller Interface GmbH & Co. KG
Klingenbergstraße 16
D-32758 Detmold
Germany
Fon: +49 5231 14-0
Fax: +49 5231 14-292083
www.weidmueller.com

Drawings**Dimensioned drawing**