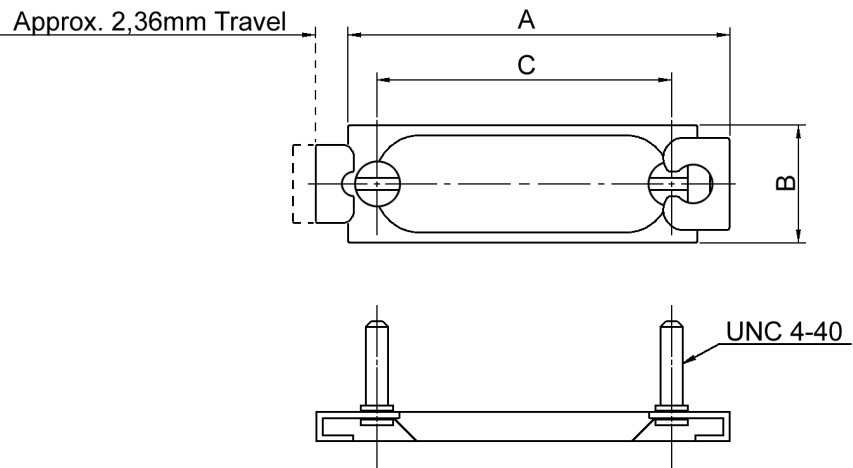


No.	Changes and/or Note No.	Date	Sign	No.	Changes and/or Note No.	Date	Sign



Var.	Size	A	B	C
-01	9-way	35,4	12,7	25,0
-02	15-way	43,7	12,7	33,3
-03	25-way	57,4	12,7	47,1
-04	37-way	73,9	12,7	63,5

DATE 2012-05-22	DRAWN MRR	SCALE	MATERIAL TYPE
	APPROVED		REPLACES
	Slide Latch including 2 screws		DRAWING No.
			6250-0113