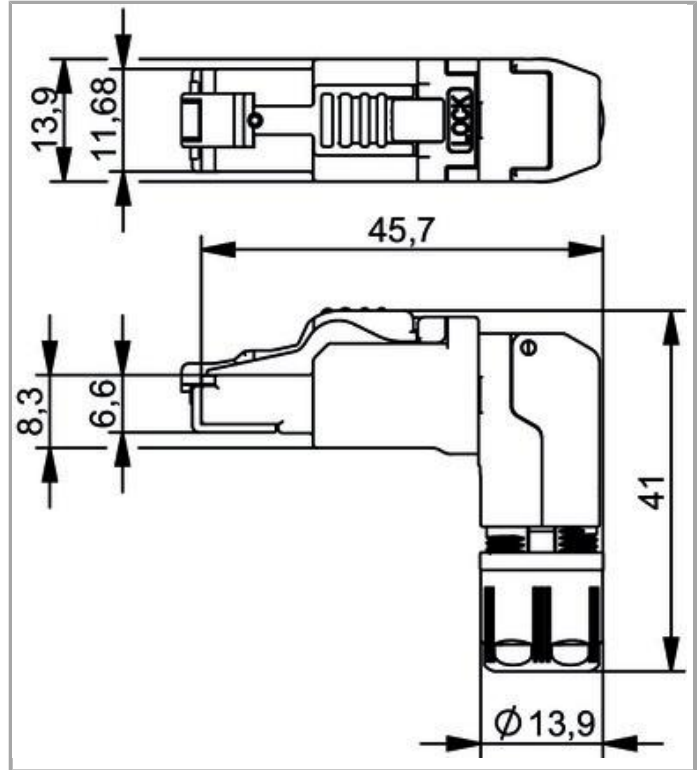


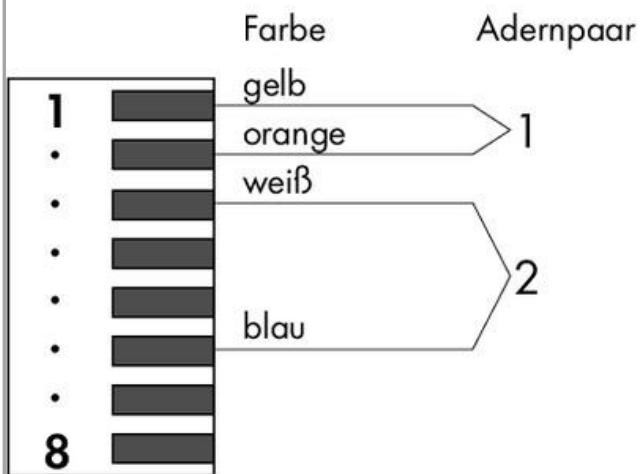


RoHS  Compliant

[BOMcheck.net](http://BOMcheck.net)



### Kontaktbelegung PROFINET



Data

Technical Data

Connection type

Stecker RJ-45



No. of poles	8
Leitungsanschlussrichtung zur Steckrichtung	90°
Communication/Fieldbus	PROFINET
Code	PROFINET
Baud rate	100Mbit/s

### Connection data

Connection type (1)	IDC-(Schneidklemm-)Kontakt
Solid conductor	0.21 ... 0.32 mm <sup>2</sup> / 24/1 ... 22/1 AWG
Stranded conductor (2)	0.11 ... 0.36 mm <sup>2</sup> / 27/7 ... 22/7 AWG

### Geometrical Data

Width	13.9 mm
Height	41 mm
Depth	45.7 mm

### Mechanical data

Connection requirement (permissible cable type)	Cat. 6 A
Connectable sheathed cable diameter	5.5 ... 10 mm
Housing material	Zinc die casting
Weight	26 g

### Environmental Requirements

Surrounding air (operating) temperature	-40 ... 85 °C
Surrounding air (storage) temperature	-40 ... 85 °C
Degree of protection	IP20
Relative air humidity (no condensation)	95 %
Standards/specifications	IEC60603-7-51, ISO/IEC 11801, IEEE 802.3an; EIA/TIA 568-C.2; DIN EN 50173-1; UL 1863; UL 2043

### Commercial data

Packaging type	bag
Country of origin	TW
GTIN	4055143586306
Customs Tariff No.	85366990990

### Downloads

#### Documentation

#### Bid Text



---

750-979/000-013	Mar 10, 2017	DOC 24.6 kB	Download
-----------------	--------------	----------------	----------

---

**Additional Information**

Disposal; Electrical and electronic equipment, Packaging	Oct 15, 2018	265.8 kB	Download
--	--------------	----------	----------

---

Subject to changes.