

# Data sheet | Item number: 852-1280

SFP Module 1000BASE; ZX Single-Mode 1550 nm LC; 80 km; Extended temperature range; DDM



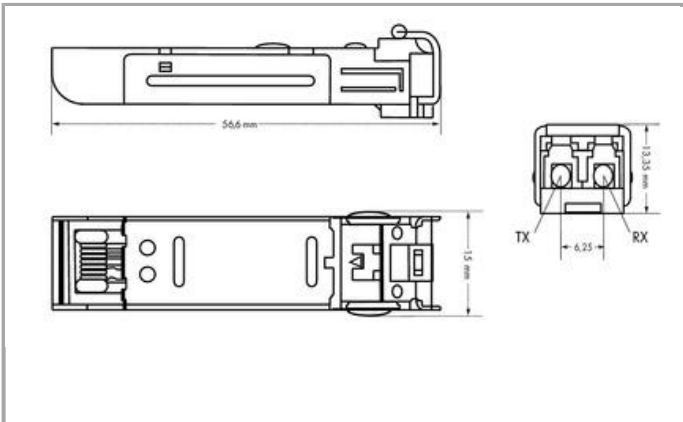
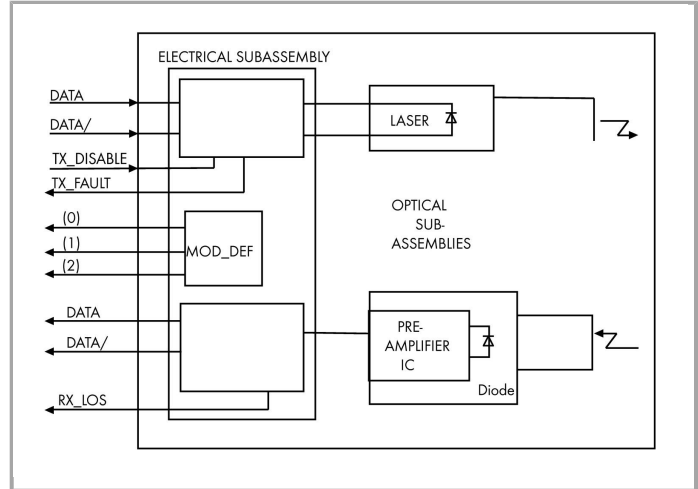
[www.wago.com/852-1280](http://www.wago.com/852-1280)



RoHS  Compliant



Color:



## Item description

### Features:

- Duplex LC optical connector
- Small Form-Factor Pluggable (SFP) industry-standard design
- Compliant with IEEE802.3z Gigabit ETHERNET Standard
- Differential LVPECL inputs and outputs
- Power supply: 3.3 V



- TTL signal detect indicator
- Hot-pluggable capability

## Data

### Technical Data

LWL-Fasertyp	Single-mode
--------------	-------------

### Connection data

Connection technology: communication/fieldbus	1 x SFP, LC fiber-optic connectors
Anschlussanforderung zulässige Leitungslänge	80000 m
Connection requirement (permissible cable type)	Single-mode fiber 9/125 µm, wavelength 1550 nm

### Geometrical Data

Width	13.4 mm / 0.528 inch
Height	13.3 mm / 0.524 inch
Depth	56.6 mm / 2.228 inch

### Mechanical data

Weight	17 g
Color	silver-colored

### Environmental Requirements

Surrounding air (operating) temperature	-40 ... 85 °C
Surrounding air (storage) temperature	-40 ... 85 °C

### Commercial data

Country of origin	TW
GTIN	4055143394154
Customs Tariff No.	85176200000

## Downloads

### Documentation

#### Bid Text

852-1280	Nov 30, 2016	DOC 27.1 kB	Download
----------	--------------	----------------	----------

#### Additional Information

Disposal; Electrical and electronic equipment, Packaging	Oct 15, 2018	265.8 kB	Download
--	--------------	----------	----------



---

Subject to changes.

---

WAGO Kontakttechnik GmbH & Co. KG  
Hansastr. 27  
32423 Minden  
Phone: +49571 887-0 | Fax: +49571 887-169  
Email: [info.de@wago.com](mailto:info.de@wago.com) | Web: [www.wago.com](http://www.wago.com)

Do you have any questions about our products?  
We are always happy to take your call at +49 (571) 887-44222.