

D-Sub Metalized Plastic Cover, with variable cable entry

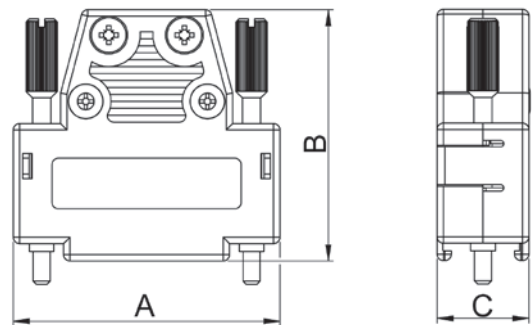
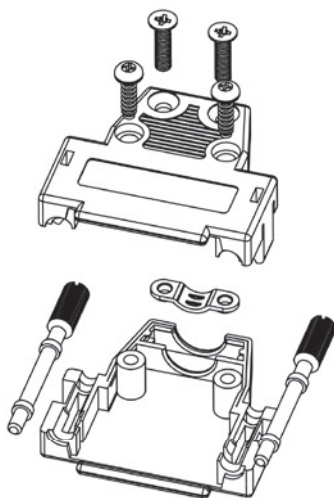
TECHNICAL SPECIFICATIONS

Material: UL 94 V-0 ABS Plastic
 Colour: Metalized
 Operating Temperature: -55c° to +110c°
 Cable Entry: Top
 Cable O.D: 9-15way Up to 7mm
 25-50-way Up to 10mm
 Thumbscrews: Short, UNC 4-40
 M2,5 or M3 on request



Features:

- Available in sizes 9-15-25
- Possibility to tighten clamp after closing the hood
- Screw + Snap together Hood



DTCL - Series	Dim A	Dim B	Dim C
09-way	34,0	27,8	14,5
15-way	42,3	39,8	14,5
25-way	56,0	39,8	14,5

Ordering information:

Size:	P/N - Kitted:	Product Code:
9-way	6554-0105-01	DCTL09-M-K
15-way	6554-0105-02	DCTL15-M-K
25-way	6554-0105-03	DCTL25-M-K
37-way	on request	
50-way	on request	

