

**TECHNICAL SPECIFICATIONS**

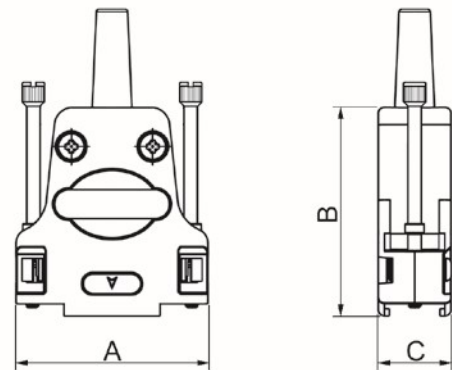
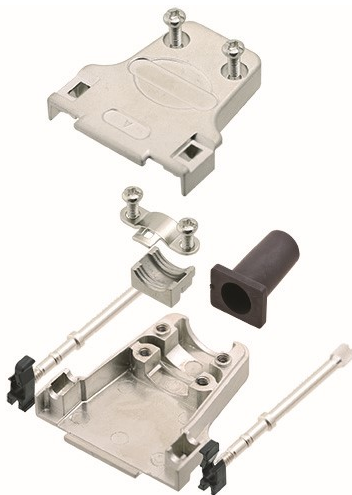
Material: Zinc, Nickel Plated  
 Operating Temperature: -45°C to + 105°C  
 Cable Entry: Top Entry  
 Thumbscrews: UNC 4-40 (Standard)  
 M2.5 and M3 on request



Cable O.D - Large:  
 15-Way: Up to 9,0mm with grommet - 12,5mm without grommet  
 25-Way: Up to 9.0mm with grommet - 12,5mm without grommet  
 37-Way: Up to 11,5mm with grommet - 15,0mm without grommet

**Features:**

- Available in sizes 5-25-37
- Excellent EMI Shielding
- Re-openable
- Spring-Clip mounted Jackscrews
- Available without rubber grommet on request



Size D45ZF	Dim A	Dim B	Dim C
15-way	40,0	41,0	15,2
25-way	53,7	47,5	15,2
37-way	70,2	48,0	15,2

**Ordering information - Large Grommet Size:**

Size:	P/N - Kitted:	Product Code:
15-way	7960-0210-02	DTZF15-LJS-RGL-K
25-way	7960-0210-03	DTZF25-LJS-RGL-K
37-way	7960-0210-04	DTZF37-LJS-RGL-K

