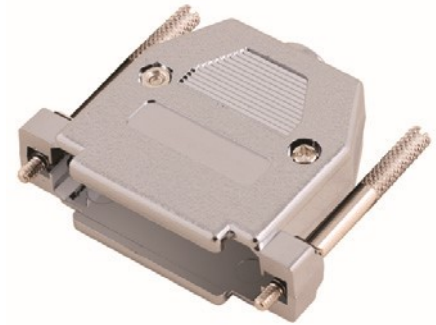


D-Sub Metalized cover, Top entry, Long knurled jackscrews

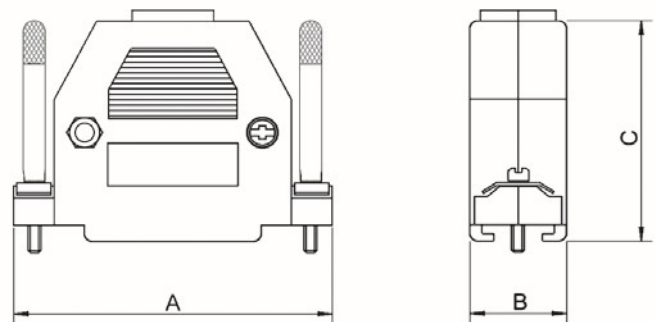
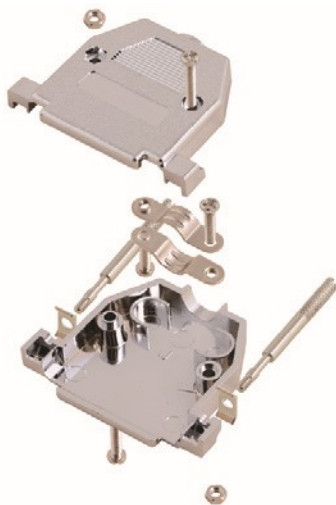
TECHNICAL SPECIFICATIONS

Material: UL recognised Plastic Material
 Plating: Nickel over Copper
 Operating Temperature: -40°C to +120°C
 Cable Entry: Top
 Thumbscrews: UNC 4-40 (Short)
 Cable O.D:
 9-way Up to 7,0mm
 15-way Up to 10,0mm
 25-way Up to 11,0mm
 37-way Up to 13,8mm
 50-way Up to 14,0mm



Features:

- Available in sizes 9-15-25-37-50
- Long Jackscrews
- Re-openable
- Also available in Unshielded version (Black or Grey)



Size	Dim A	Dim B	Dim C
9-way	31,0	16,0	40,2
15-way	39,6	17,4	38,0
25-way	55,0	16,5	44,5
37-way	69,0	24,0	52,5
50-way	69,5	19,5	44,5

Ordering information:

Size:	P/N - Kitted:	Product Code:
9-way	2360-0105-11	CCOV 9-SCL-MP
15-way	2360-0105-12	CCOV15-SCL-MP
25-way	2360-0105-13	CCOV25-SCL-MP
37-way	2360-0105-14	CCOV37-SCL-MP
50-way	2360-0105-15	CCOV50-SCL-MP



Encitech AB
 Rörkullsvägen 4
 SE-302 41 HALMSTAD, Sweden

Tel: +46-(0)35-15 13 90
 e-mail: connectors@encitech.com

www.encitech.com