

D-Sub Full Metal, Side cable entry

TECHNICAL SPECIFICATIONS

Material: Zinc, Nickel Plated
 Operating Temperature: -45°C to + 105°C
 Cable Entry: Side Entry
 Thumbscrews: UNC 4-40 (Standard)
 M2.5 and M3 on request

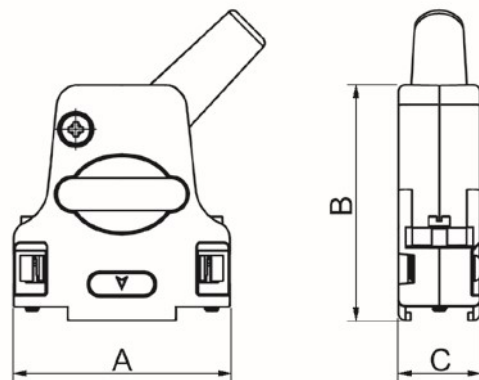
Cable O.D - Large:

15-Way: Up to 9,0mm with grommet - 12,5mm without grommet
 25-Way: Up to 9.0mm with grommet - 12,5mm without grommet
 37-Way: Up to 11,5mm with grommet - 15,0mm without grommet



Features:

- Available in sizes 15-25-37
- Excellent EMI Shielding
- Re-openable
- Spring-Clip mounted Jackscrews
- Available without rubber grommet on request



Size D45ZF	Dim A	Dim B	Dim C
15-way	40,0	41,0	15,2
25-way	53,7	47,5	15,2
37-way	70,2	48,0	15,2

Ordering information - Large Grommet Size:

Size:	P/N - Kitted:	Product Code:
15-way	7960-0208-12	D45ZF15-RGL-K
25-way	7960-0208-13	D45ZF25-RGL-K
37-way	7960-0208-14	D45ZF37-RGL-K

