

D-Sub Plastic cover, Black, Top Entry, short jackscrews

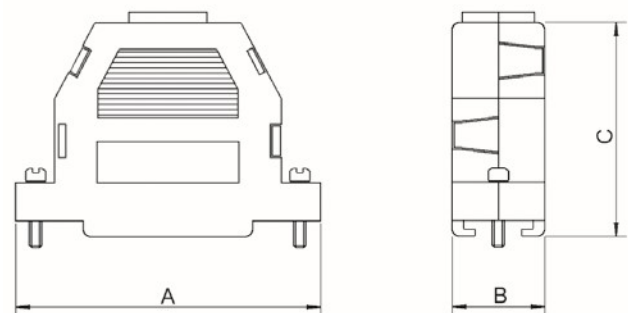
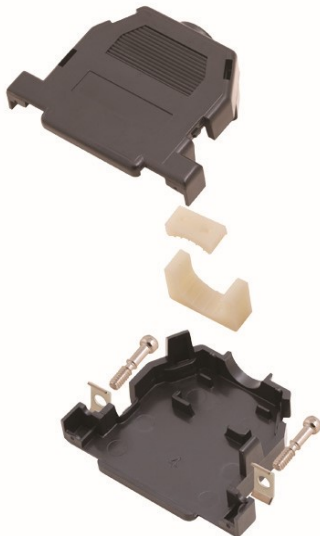
TECHNICAL SPECIFICATIONS

Material: UL Recognised Plastic Material
 Operating Temperature: -55°C to +110°C
 Cable Entry: Top
 Thumbscrews: UNC 4-40
 Cable O.D:
 9-way Up to 8,2mm
 15-way Up to 11,4mm
 25-way Up to 11,0mm
 Colour: Black



Features:

- Available in sizes 9-15-25
- Suitable for any common Sub-D connector
- Quick Snap Locking
- Short Jackscrews
- Re-openable
- Available in two colours: Black & Light Grey
- Also available in Metalized Version



Size CCOV	A	B	C
9-way	30,5	15,5	39,2
15-way	40,1	15,5	39,6
25-way	53,6	16,0	43,0

Ordering information:

Size:	P/N - Kitted:	Product Code:
9-way	2360-0101-01	CCOV 9-SN-BK
15-way	2360-0101-02	CCOV15-SN-BK
25-way	2360-0101-03	CCOV25-SN-BK

