

D-Sub Plastic Cover, Black, with top cable entry

TECHNICAL SPECIFICATIONS

Material: PP, UL-recognised
 Operating Temperature: -40°C to +110°C
 Cable Entry: Top
 Thumbscrews: UNC 4-40 (Standard)

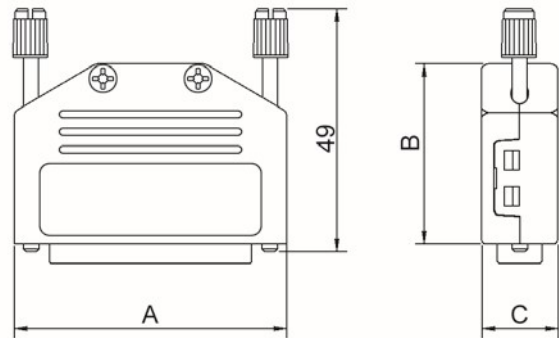
Cable O.D:
 9-way Up to 8mm
 15-way Up to 10mm
 25-way Up to 11mm
 37-way Up to 11mm
 50-way Up to 12mm

Colour: Black



Features:

- Available in sizes 9-15-25-37-50way
- Suitable for any common Sub-D connector
- Quick-snap locking system
- Screw-in cable clamp with self-tapping screw



Size	Dim A	Dim B	Dim C
9-way	33.8	33.3	14.8
15-way	42.2	33.3	14.8
25-way	56.3	36.5	14.8
37-way	72.7	39.2	15.0
50-way	70.1	41.2	18.5

Ordering information: **Standard - Black**

Size:	P/N - Kitted:	Product Code:
9-way	2360-0110-01	DPTA09-P-K
15-way	2360-0110-02	DPTA15-P-K
25-way	2360-0110-03	DPTA25-P-K
37-way	2360-0110-04	DPTA37-P-K
50-way	2360-0110-05	DPTA50-P-K

