

D-Sub Plastic Cover, Black, with top cable entry

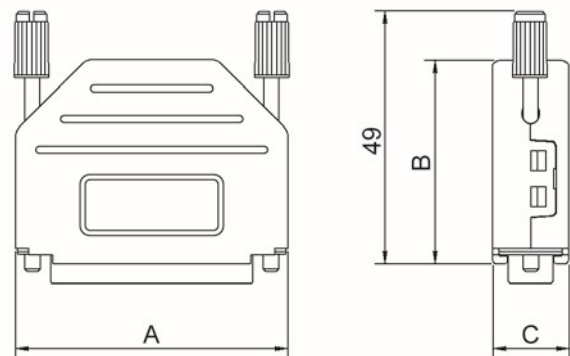
TECHNICAL SPECIFICATIONS

Material:	Polyamid, UL-recognised	
Operating Temperature:	-55°C to +110°C	
Cable Entry:	Top	
Thumbscrews:	UNC 4-40 (Standard) M2.5, M2.6 or M3 on request	
Cable O.D:	9-way	Up to 8mm
	15-way	Up to 11,7mm
	25-way	Up to 11,7mm
	37-way	Up to 11,7mm
	50-way	Up to 14,0mm
Colour:	Green (G)	



Features:

- Available in sizes 9-15-25-37-50-way
- Suitable for any common Sub-D connector
- Quick-snap locking system
- Company logo can be moulded on request



Accessory:

- Small Rubber grommet (size 9 only)  
6844-0102-01
- Large Rubber grommet (size 15-25-37)  
6844-0103-01



Size	Dim A	Dim B	Dim C
9-way	31,5	34,0	15,0
15-way	40,0	34,0	15,0
25-way	53,5	34,0	15,0
37-way	70,0	40,0	15,0
50-way	67,5	40,0	19,0

Ordering information:

Size:	P/N - Kitted:	Product Code:
9-way	6353-0146-01	DPPK09-FMG-K
15-way	6353-0146-02	DPPK15-FMG-K
25-way	6353-0146-03	DPPK25-FMG-K
37-way	6353-0146-04	DPPK37-FMG-K
50-way	6353-0146-05	DPPK50-FMG-K

Size:	P/N - BULK:	Product Code:
9-way	6354-0146-01	DPPK09-FMG
15-way	6354-0146-02	DPPK15-FMG
25-way	6354-0146-03	DPPK25-FMG
37-way	6354-0146-04	DPPK37-FMG
50-way	6354-0146-05	DPPK50-FMG

