

D-Sub Plastic Cover, Black, with top cable entry

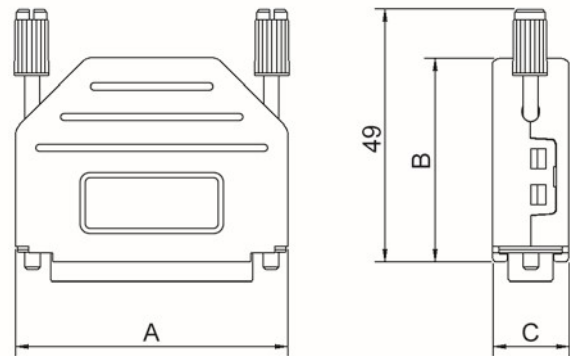
TECHNICAL SPECIFICATIONS

Material: Polyamid, UL-recognised
 Operating Temperature: -55°C to +110°C
 Cable Entry: Top
 Thumbscrews: UNC 4-40 (Standard)
 M2.5, M2.6 or M3 on request
 Cable O.D:
 9-way Up to 8mm
 15-way Up to 11,7mm
 25-way Up to 11,7mm
 37-way Up to 11,7mm
 50-way Up to 14,0mm
 Colour: Blue (B)



Features:

- Available in sizes 9-15-25-37-50-way
- Suitable for any common Sub-D connector
- Quick-snap locking system
- Company logo can be moulded on request



Accessory:

- Small Rubber grommet (size 9 only)
6844-0102-01
- Large Rubber grommet (size 15-25-37)
6844-0103-01



Size	Dim A	Dim B	Dim C
9-way	31,5	34,0	15,0
15-way	40,0	34,0	15,0
25-way	53,5	34,0	15,0
37-way	70,0	40,0	15,0
50-way	67,5	40,0	19,0

Ordering information:

Size:	P/N - Kitted:	Product Code:
9-way	6353-0144-01	DPPK09-FMB-K
15-way	6353-0144-02	DPPK15-FMB-K
25-way	6353-0144-03	DPPK25-FMB-K
37-way	6353-0144-04	DPPK37-FMB-K
50-way	6353-0144-05	DPPK50-FMB-K

Size:	P/N - BULK:	Product Code:
9-way	6354-0144-01	DPPK09-FMB
15-way	6354-0144-02	DPPK15-FMB
25-way	6354-0144-03	DPPK25-FMB
37-way	6354-0144-04	DPPK37-FMB
50-way	6354-0144-05	DPPK50-FMB

