

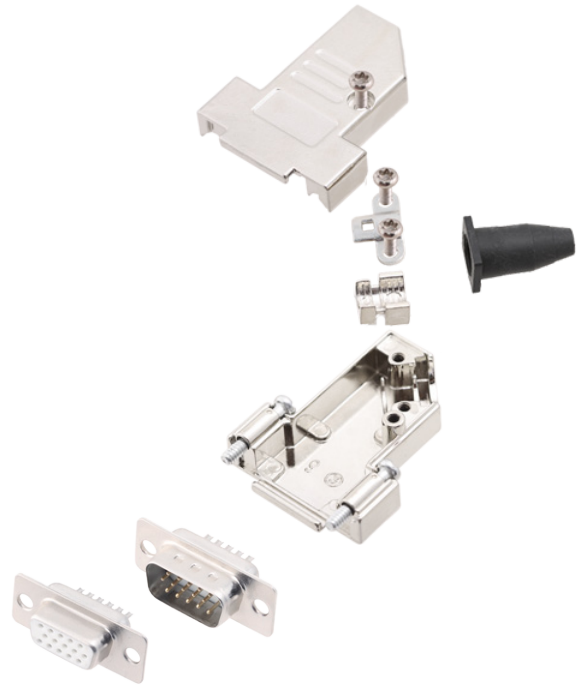
**TECHNICAL SPECIFICATIONS**

**D-Sub Hood:**

Material: Zinc, Nickel Plated  
 Operating Temperature: -40°C to +120°C  
 Cable Entry: 45° Side Entry  
 Rubber Grommet RGS  
 Strain relief: Clamp + Insert  
 Thumbscrews: **Short Jackscrews**  
 UNC 4-40 (Standard)  
 M2,5 or M3 on request  
 Cable O.D: Up to 11.5mm

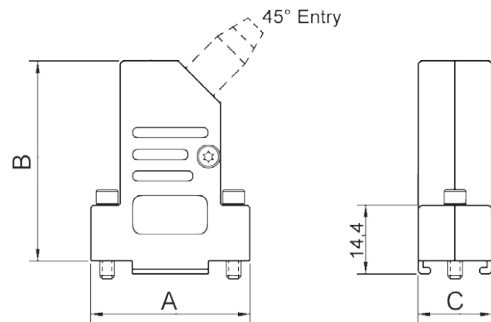
**D-Sub High Density:**

Insulator: PBT, White, UL94 V-0  
 Shell: Stamped Steel, Tin Plated  
 Contact pins: Copper Alloy  
 Stamped & Formed pins: 100 inserts min  
 Contacts Plating: Selective Gold over Nickel  
 Operating Temperature: -55°C to +105°C  
 Withstanding voltage: 500V for 1 minute



**Features:**

- Full Metal D-Sub hood
- Short Jackscrews
- Universal Rubber Grommet
- 360° EMI Shielding
- Quick assembly
- Pre-mounted locking screws
- Supports all types of cables
- Suitable for any common D-Sub connector



Size DTSL	Dim A	Dim B	Dim C
9-way	32,2	42,0	15,0
15-way	40,8	42,3	15,0
25-way	54,0	42,3	15,0
37-way	70,5	48,0	15,0

**Ordering information:**

**Class 3 D-Sub Connector Kits (100 inserts min.)**

Size:	P/N - Kitted:	Product Code - MALE Conn. Kit
HD 15	6355-8092-01	DTSL09-SJSRG-S-HDP15-W-K
HD 26	6355-8092-02	DTSL15-SJSRG-S-HDP26-W-K
HD 44	6355-8092-03	DTSL25-SJSRG-S-HDP44-W-K
HD 62	6355-8092-04	DTSL37-SJSRG-S-HDP62-W-K

Size:	P/N - Kitted:	Product Code - FEMALE Conn. Kit
HD 15	6355-8092-11	DTSL09-SJSRG-S-HDS15-W-K
HD 26	6355-8092-12	DTSL15-SJSRG-S-HDS26-W-K
HD 44	6355-8092-13	DTSL25-SJSRG-S-HDS44-W-K
HD 62	6355-8092-14	DTSL37-SJSRG-S-HDS62-W-K

