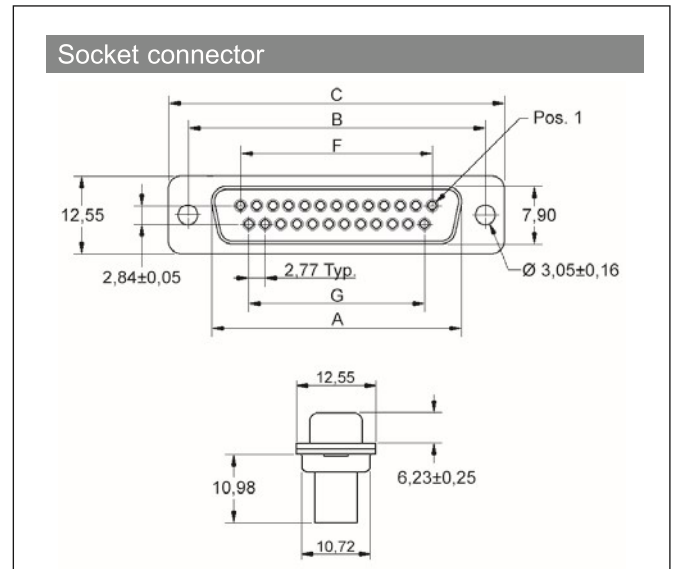
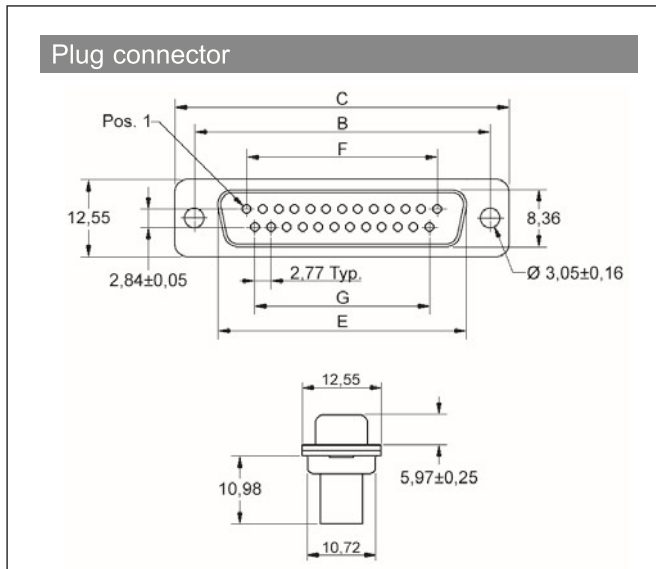


## D-Sub Connectors

### DBC-Series – Housing for Crimp contacts

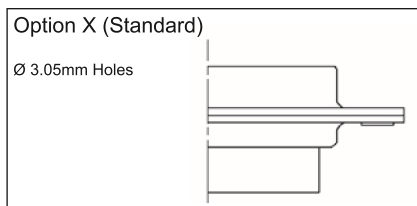
Insulator: Glass filled Polyester, Black  
UL94 V-0

Shell: Stamped Steel, Tin Plated



Size	A	B	C	E	F	G
9	16,92	24,99	30,81	16,33	11,08	8,31
15	25,25	33,32	39,14	24,66	19,39	16,62
25	38,96	47,04	53,04	38,38	33,24	30,47
37	55,25	63,50	69,32	54,84	49,86	47,09
50	Available on request					

### Order Codes - Standard Type - with Ø 3.05mm Through Hole



Plug Connector		
09	2101-0190-01	DBC09-SP
15	2101-0190-02	DBC15-SP
25	2101-0190-03	DBC25-SP
37	2101-0190-04	DBC37-SP
50	2101-0190-05	DBC50-SP

Socket Connector		
09	2101-0190-11	DBC09-SS
15	2101-0190-12	DBC15-SS
25	2101-0190-13	DBC25-SS
37	2101-0190-14	DBC37-SS
50	2101-0190-15	DBC50-SS



**Encitech AB**  
Rörkullsvägen 4  
SE-302 41 HALMSTAD, Sweden

Tel: +46-(0)35-15 13 90  
e-mail: connectors@encitech.com

[www.encitech.com](http://www.encitech.com)