

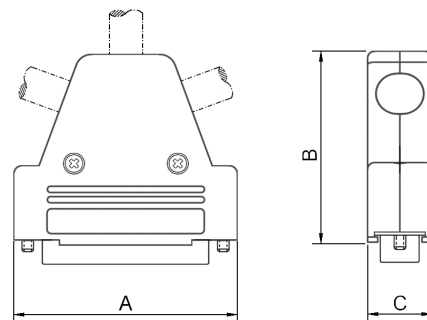
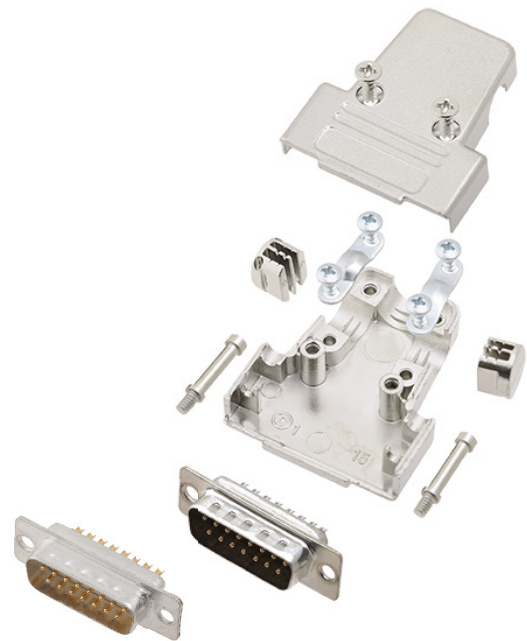
**TECHNICAL SPECIFICATIONS**

**D-Sub Hood:**

Material: UL Recognised Plastic Material  
 Plating: Nickel over Copper  
 Operating Temperature: -55°C to +110°C  
 Cable Entry: Side / Top / Side  
 Thumbscrews: UNC 4-40 (Standard)  
 Cable O.D: Up to 13mm

**Male D-Sub Solder Cup:**

Insulator: PBT, Black, UL94 V-0  
 Shell: Steel, Tin Plated  
 Contact pins: Copper Alloy  
 Stamped & Formed Pins: Class 3, 100 inserts min.  
 Machined Contact Pins: Class 1, 500 inserts min.  
 Contact Plating: Selective Gold over Nickel  
 Operating Temperature: -55°C to +105°C  
 Withstanding voltage: 1000V for 1 minute  
 Insulator resistance: 1000MΩ min



**Features:**

- Available in sizes 9-15-25-37
- All sizes feature 3-Way Entry solution
- Re-openable
- Hood is supplied with 2 Blanking Plates and 2 Strain Relief clamps.

Size TRI-M	Dim A	Dim B	Dim C
9-way	31,0	45,2	15,0
15-way	40,3	45,2	15,0
25-way	53,5	45,2	15,0
37-way	70,0	45,2	15,0

**Ordering information - Black Insulator:**

Size:	P/N - Kitted:	Class 3 - 100 inserts min.
9-way	6355-0038-01	TRI-M-09-DBP-K
15-way	6355-0038-02	TRI-M-15-DBP-K
25-way	6355-0038-03	TRI-M-25-DBP-K
37-way	6355-0038-04	TRI-M-37-DBP-K

Size:	P/N - Kitted:	Class 1 - 500 inserts min.
9-way	6355-0039-01	TRI-M-09-DMP-K
15-way	6355-0039-02	TRI-M-15-DMP-K
25-way	6355-0039-03	TRI-M-25-DMP-K
37-way	6355-0039-04	TRI-M-37-DMP-K

**Ordering information - White Insulator:**

Size:	P/N - Kitted:	Class 3 - 100 inserts min.
9-way	6355-8038-01	TRI-M-09-DBP-W-K
15-way	6355-8038-02	TRI-M-15-DBP-W-K
25-way	6355-8038-03	TRI-M-25-DBP-W-K
37-way	6355-8038-04	TRI-M-37-DBP-W-K

Size:	P/N - Kitted:	Class 1 - 500 inserts min.
9-way	6355-8039-01	TRI-M-09-DMP-W-K
15-way	6355-8039-02	TRI-M-15-DMP-W-K
25-way	6355-8039-03	TRI-M-25-DMP-W-K
37-way	6355-8039-04	TRI-M-37-DMP-W-K

