

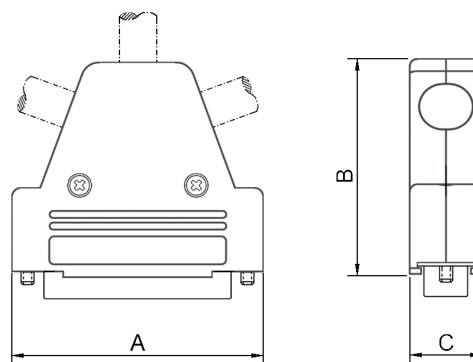
TECHNICAL SPECIFICATIONS

D-Sub Hood:

Material: UL 94 V-0 Plastic Material
Operating Temperature: -55°C to +110°C
Cable Entry: Side / Top / Side
Thumbscrews: UNC 4-40 (Standard)
Cable O.D: Up to 11,5mm
Colour: Black

Male D-Sub Solder Cup:

Insulator: PBT, Black, UL94 V-0
Shell: Steel, Tin Plated
Contact pins: Copper Alloy
Stamped & Formed Pins: Class 3, 100 inserts min.
Machined Contact Pins: Class 1, 500 inserts min.
Contact Plating: Selective Gold over Nickel
Operating Temperature: -55°C to +105°C
Withstanding voltage: 1000V for 1 minute
Insulator resistance: 1000MΩ min.



Features:

- Available in sizes 9-15-25-37
- All sizes feature 3-Way Entry solution
- Re-openable
- Supplied with 2 Blanking Plates and 2 Strain Relief clamps.

Size TRI-P	Dim A	Dim B	Dim C
9-way	31,0	45,2	15,0
15-way	40,3	45,2	15,0
25-way	53,5	45,2	15,0
37-way	70,0	45,2	15,0

Ordering information - Black Insulator:

Size:	P/N - Kitted:	Class 3 - 100 inserts min.
9-way	6355-0036-01	TRI-P-09-DBP-K
15-way	6355-0036-02	TRI-P-15-DBP-K
25-way	6355-0036-03	TRI-P-25-DBP-K
37-way	6355-0036-04	TRI-P-37-DBP-K

Size:	P/N - Kitted:	Class 1 - 500 inserts min.
9-way	6355-0037-01	TRI-P-09-DMP-K
15-way	6355-0037-02	TRI-P-15-DMP-K
25-way	6355-0037-03	TRI-P-25-DMP-K
37-way	6355-0037-04	TRI-P-37-DMP-K

Ordering information - White Insulator:

Size:	P/N - Kitted:	Class 3 - 100 inserts min.
9-way	6355-8036-01	TRI-P-09-DBP-W-K
15-way	6355-8036-02	TRI-P-15-DBP-W-K
25-way	6355-8036-03	TRI-P-25-DBP-W-K
37-way	6355-8036-04	TRI-P-37-DBP-W-K

Size:	P/N - Kitted:	Class 1 - 500 inserts min.
9-way	6355-8037-01	TRI-P-09-DMP-W-K
15-way	6355-8037-02	TRI-P-15-DMP-W-K
25-way	6355-8037-03	TRI-P-25-DMP-W-K
37-way	6355-8037-04	TRI-P-37-DMP-W-K

