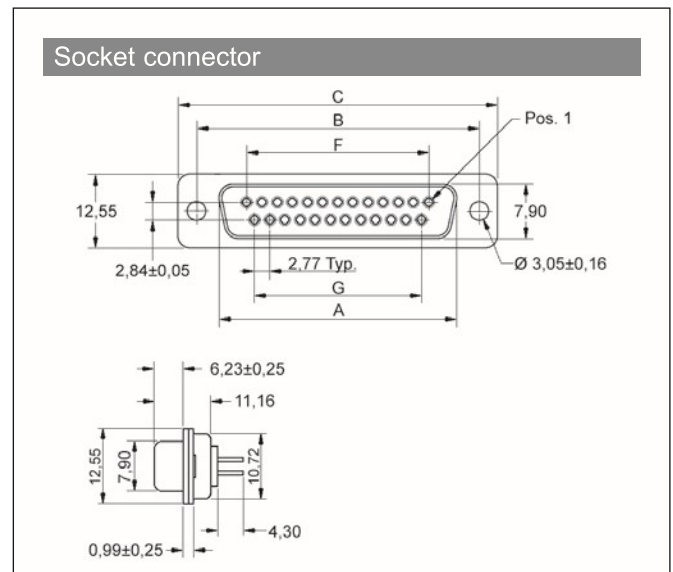
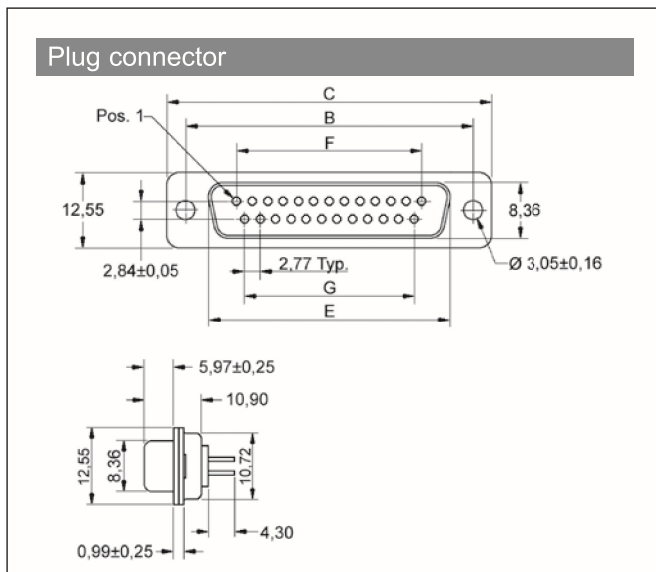
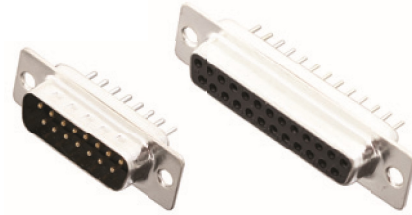


D-Sub Connectors

DD-Series – Straight D-Connectors

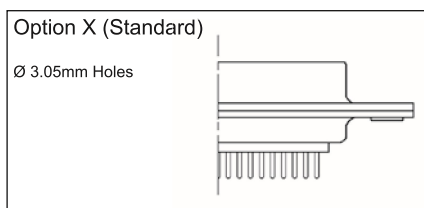
Material Specification:

Insulator:	Glass filled Polyester, Black UL94 V-0
Shell:	Stamped Steel, Tin Plated
Contact pins:	Copper Alloy, Stamped & Formed
Contact Plating:	Selective Gold over Nickel as standard Class 3, 100 inserts min. Other class on request



Size	A	B	C	D	E	F	G
9	16,92	24,99	30,81	-	16,33	11,08	8,31
15	25,25	33,32	39,14	-	24,66	19,39	16,62
25	38,96	47,04	53,04	-	38,38	33,24	30,47
37	55,25	63,50	69,32	-	54,84	49,86	47,09
50*	Available on request						

Order Codes - Standard Type - with Ø 3.05mm Through Hole



Plug Connector		
09	2103-0100-01	DD09-MTBS
15	2103-0100-02	DD15-MTBS
25	2103-0100-03	DD25-MTBS
37	2103-0100-04	DD37-MTBS
50	2103-0100-05	DD50-MTBS

Socket Connector		
09	2103-0100-11	DD09-FTBS
15	2103-0100-12	DD15-FTBS
25	2103-0100-13	DD25-FTBS
37	2103-0100-14	DD37-FTBS
50	2103-0100-15	DD50-FTBS

