

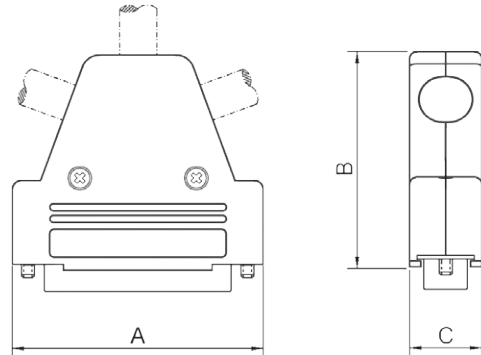
TECHNICAL SPECIFICATIONS

D-Sub Hood:

Material: UL 94 V-0 Plastic Material
 Operating Temperature: -55°C to +110°C
 Cable Entry: Side / Top / Side
 Thumbscrews: UNC 4-40 (Standard)
 Cable O.D: Up to 11,5mm
 Colour: Black

D-Sub High Density:

Insulator: PBT, White, UL94 V-0
 Shell: Stamped Steel, Tin Plated
 Contact pins: Copper Alloy
 Stamped & Formed pins: 100 inserts min
 Contacts Plating: Selective Gold over Nickel
 Operating Temperature: -55°C to +105°C
 Withstanding voltage: 500V for 1 minute
 Insulator resistance: 500MΩ min



Features:

- Available in sizes HD15-26-44-62
- All sizes feature 3-Way Entry solution
- Re-openable
- Supplied with 2 Blanking Plates and 2 Strain Relief clamps.

Size TRI-P	Dim A	Dim B	Dim C
9-way	31,0	45,2	15,0
15-way	40,3	45,2	15,0
25-way	53,5	45,2	15,0
37-way	70,0	45,2	15,0

Ordering information:

D-Sub Connector Kits (100 inserts min.)

Size:	P/N - Kitted:	Product Code - MALE Conn. Kit
HD 15	6355-8068-01	TRI-P-09-HDP15-W-K
HD 26	6355-8068-02	TRI-P-09-HDP26-W-K
HD 44	6355-8068-03	TRI-P-09-HDP44-W-K
HD 62	6355-8068-04	TRI-P-09-HDP62-W-K

Size:	P/N - Kitted:	Product Code - FEMALE Conn. Kit
HD 15	6355-8068-11	TRI-P-09-HDS15-W-K
HD 26	6355-8068-12	TRI-P-15-HDS26-W-K
HD 44	6355-8068-13	TRI-P-25-HDS44-W-K
HD 62	6355-8068-14	TRI-P-37-HDS62-W-K

