

**TECHNICAL SPECIFICATIONS**

**D-Sub Hood:**

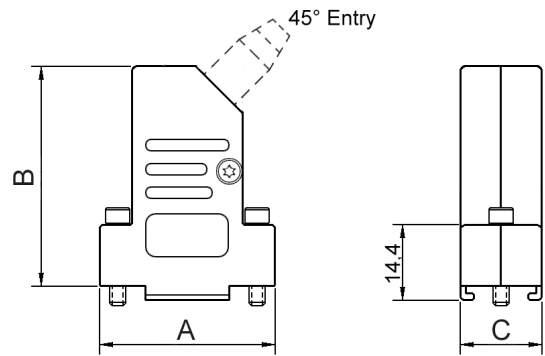
Material: Zinc, Nickel Plated  
 Operating Temperature: -40°C to +120°C  
 Cable Entry: 45° Side Entry  
 Rubber Grommet RGS  
 Strain relief: Clamp + Insert  
 Thumbscrews: **Short Jackscrews**  
 UNC 4-40 (Standard)  
 M2,5 or M3 on request  
 Cable O.D.: Up to 11.5mm

**Male D-Sub Solder Cup:**

Insulator: PBT, Black, UL94 V-0  
 Shell: Steel, Tin Plated  
 Contact pins: Copper Alloy  
 Stamped & Formed Pins: Class 3, 100 inserts min.  
 Machined Contact Pins: Class 1, 500 inserts min.  
 Contact Plating: Selective Gold over Nickel  
 Operating Temperature: -55°C to +105°C  
 Withstanding voltage: 1000V for 1 minute  
 Insulator resistance: 1000MΩ min.

**Features:**

- Full Metal D-Sub hood
- Short Jackscrews
- Universal Rubber Grommet
- 360° EMI Shielding
- Quick assembly
- Pre-mounted locking screws
- Supports all types of cables
- Suitable for any common D-Sub connector
- Available in Sizes 9-15-25-37



Size DTSL	Dim A	Dim B	Dim C
9-way	32,2	42,0	15,0
15-way	40,8	42,3	15,0
25-way	54,0	42,3	15,0
37-way	70,5	48,0	15,0

**Ordering information - Black Insulator:**

Size:	P/N - Kitted:	Class 3 - 100 inserts min.
9-way	6355-0090-01	DTSL09-SJSRG-S-DBP-K
15-way	6355-0090-02	DTSL15-SJSRG-S-DBP-K
25-way	6355-0090-03	DTSL25-SJSRG-S-DBP-K
37-way	6355-0090-04	DTSL37-SJSRG-S-DBP-K

Size:	P/N - Kitted:	Class 1 - 500 inserts min.
9-way	6355-0091-21	DTSL09-SJSRG-S-DMP-K
15-way	6355-0091-22	DTSL15-SJSRG-S-DMP-K
25-way	6355-0091-23	DTSL25-SJSRG-S-DMP-K
37-way	6355-0091-24	DTSL37-SJSRG-S-DMP-K

**Ordering information - White Insulator:**

Size:	P/N - Kitted:	Class 3 - 100 inserts min.
9-way	6355-8090-01	DTSL09-SJSRG-S-DBP-W-K
15-way	6355-8090-02	DTSL15-SJSRG-S-DBP-W-K
25-way	6355-8090-03	DTSL25-SJSRG-S-DBP-W-K
37-way	6355-8090-04	DTSL37-SJSRG-S-DBP-W-K

Size:	P/N - Kitted:	Class 1 - 500 inserts min.
9-way	6355-8091-21	DTSL09-SJSRG-S-DMP-W-K
15-way	6355-8091-22	DTSL15-SJSRG-S-DMP-W-K
25-way	6355-8091-23	DTSL25-SJSRG-S-DMP-W-K
37-way	6355-8091-24	DTSL37-SJSRG-S-DMP-W-K

