

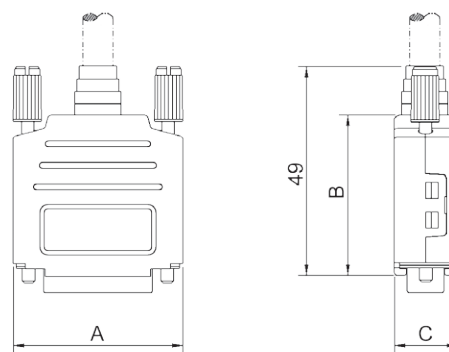
TECHNICAL SPECIFICATIONS

D-Sub Hood:

Material: UL Recognised Plastic Material
 Plating: Nickel over Copper
 Operating Temperature: -55°C to +105°C
 Cable Entry: Top
 Thumbscrews: UNC 4-40 (Standard)
 Cable O.D: Up to 11,5mm

D-Sub High Density:

Insulator: PBT, White, UL94 V-0
 Shell: Stamped Steel, Tin Plated
 Contact pins: Copper Alloy
 Stamped & Formed pins: 100 inserts min
 Contacts Plating: Selective Gold over Nickel
 Operating Temperature: -55°C to +105°C
 Withstanding voltage: 500V for 1 minute
 Insulator resistance: 500MΩ min



Features:

- Available in sizes HD15-26-44-62
- Suitable for any common D-Sub Connector
- Quick-Snap locking system
- Re-openable
- Recyclable

Size DPPK-M	Dim A	Dim B	Dim C
9-way	32,5	38,0	15,0
15-way	41,0	38,0	15,0
25-way	54,5	40,0	15,0
37-way	71,0	40,0	15,0

Ordering information:

D-Sub Connector Kits (100 inserts min.)

Size:	P/N - Kitted:	Product Code - MALE Conn. Kit
HD 15	6355-8014-01	DPPK09-M-HDP15-W-K
HD 26	6355-8014-02	DPPK15-M-HDP26-W-K
HD 44	6355-8014-03	DPPK25-M-HDP44-W-K
HD 62	6355-8014-04	DPPK37-M-HDP62-W-K

Size:	P/N - Kitted:	Product Code - FEMALE Conn. Kit
HD 15	6355-8014-11	DPPK09-M-HDS15-W-K
HD 26	6355-8014-12	DPPK15-M-HDS26-W-K
HD 40	6355-8014-13	DPPK25-M-HDS44-W-K
HD 62	6355-8014-14	DPPK37-M-HDS62-W-K

