

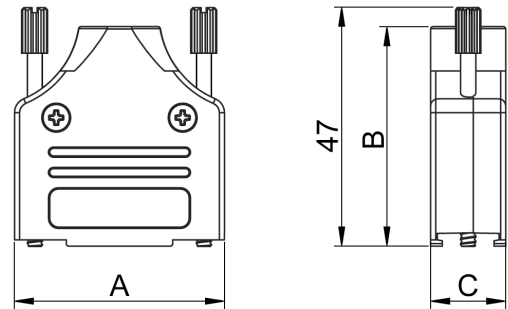
TECHNICAL SPECIFICATIONS

D-Sub Hood:

Material: Zinc, Nickel Plated
 Operating Temperature: -40°C to +120°C
 Cable Entry: Top Entry
 Thumbscrews: UNC 4-40 (Standard)
 Cable O.D: Up to 13mm

Male D-Sub Solder Cup:

Insulator: PBT, Black, UL94 V-0
 Shell: Steel, Tin Plated
 Contact pins: Copper Alloy
 Stamped & Formed Pins: Class 3, 100 inserts min.
 Machined Contact Pins: Class 1, 500 inserts min.
 Contact Plating: Selective Gold over Nickel
 Operating Temperature: -55°C to +105°C
 Withstanding voltage: 1000V for 1 minute
 Insulator resistance: 1000MΩ min
 Insulator resistance: 1000MΩ min



Features:

- Available in sizes 9-15-25-37
- 360° EMI Shielding
- Quick assembly
- Supports all types of cables
- Suitable for any common D-Sub connector

Size MHDM	Dim A	Dim B	Dim C
9-way	32,2	41,3	15,4
15-way	40,6	43,3	15,4
25-way	54,5	49,5	15,4
37-way	70,7	54,3	15,4

Ordering information - Black Insulator:

Size:	P/N - Kitted:	Class 3 - 100 inserts min.
9-way	6355-0005-01	MHDM-09-DBP-K
15-way	6355-0005-02	MHDM-15-DBP-K
25-way	6355-0005-03	MHDM-25-DBP-K
37-way	6355-0005-04	MHDM-37-DBP-K

Size:	P/N - Kitted:	Class 1 - 500 inserts min.
9-way	6355-0006-01	MHDM-09-DMP-K
15-way	6355-0006-02	MHDM-15-DMP-K
25-way	6355-0006-03	MHDM-25-DMP-K
37-way	6355-0006-04	MHDM-37-DMP-K

Ordering information - White Insulator:

Size:	P/N - Kitted:	Class 3 - 100 inserts min.
9-way	6355-8005-01	MHDM-09-DBP-W-K
15-way	6355-8005-02	MHDM-15-DBP-W-K
25-way	6355-8005-03	MHDM-25-DBP-W-K
37-way	6355-8005-04	MHDM-37-DBP-W-K

Size:	P/N - Kitted:	Class 1 - 500 inserts min.
9-way	6355-8006-01	MHDM-09-DMP-W-K
15-way	6355-8006-02	MHDM-15-DMP-W-K
25-way	6355-8006-03	MHDM-25-DMP-W-K
37-way	6355-8006-04	MHDM-37-DMP-W-K

