

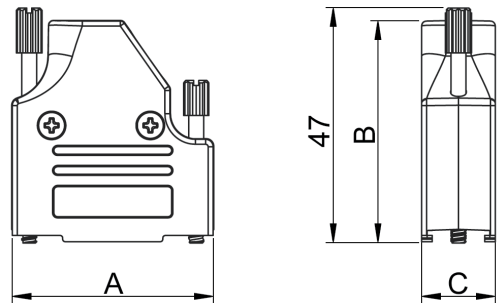
TECHNICAL SPECIFICATIONS

D-Sub Hood:

Material: Zinc, Nickel Plated
 Operating Temperature: -40°C to +120°C
 Cable Entry: Side Entry 35°
 Thumbscrews: UNC 4-40 (Standard)
 Cable O.D: Up to 13mm

Female D-Sub Solder Cup:

Insulator: PBT, Black, UL94 V-0
 Shell: Steel, Tin Plated
 Contact pins: Copper Alloy
 Stamped & Formed Pins: Class 3, 100 inserts min.
 Machined Contact Pins: Class 1, 500 inserts min.
 Contact Plating: Selective Gold over Nickel
 Operating Temperature: -55°C to +105°C
 Withstanding voltage: 1000V for 1 minute
 Insulator resistance: 1000MΩ min
 Insulator resistance: 1000MΩ min



Features:

- Available in sizes 9-15-25-37
- 360° EMI Shielding
- Quick assembly
- Supports all types of cables
- Suitable for any common D-Sub connector

Size MHDM35	Dim A	Dim B	Dim C
9-way	43,0	32,0	15,5
15-way	43,0	40,4	15,5
25-way	48,0	54,0	15,5
37-way	53,0	70,5	15,5

Ordering information - Black Insulator:

Size:	P/N - Kitted:	Class 3 - 100 inserts min.
9-way	6355-0007-11	MHDM35-09-DBS-K
15-way	6355-0007-12	MHDM35-15-DBS-K
25-way	6355-0007-13	MHDM35-25-DBS-K
37-way	6355-0007-14	MHDM35-37-DBS-K

Size:	P/N - Kitted:	Class 1 - 500 inserts min.
9-way	6355-0008-11	MHDM35-09-DMS-K
15-way	6355-0008-12	MHDM35-15-DMS-K
25-way	6355-0008-13	MHDM35-25-DMS-K
37-way	6355-0008-14	MHDM35-37-DMS-K

Ordering information - White Insulator:

Size:	P/N - Kitted:	Class 3 - 100 inserts min.
9-way	6355-8007-11	MHDM35-09-DBS-W-K
15-way	6355-8007-12	MHDM35-15-DBS-W-K
25-way	6355-8007-13	MHDM35-25-DBS-W-K
37-way	6355-8007-14	MHDM35-37-DBS-W-K

Size:	P/N - Kitted:	Class 1 - 500 inserts min.
9-way	6355-8008-11	MHDM35-09-DMS-W-K
15-way	6355-8008-12	MHDM35-15-DMS-W-K
25-way	6355-8008-13	MHDM35-25-DMS-W-K
37-way	6355-8008-14	MHDM35-37-DMS-W-K

