

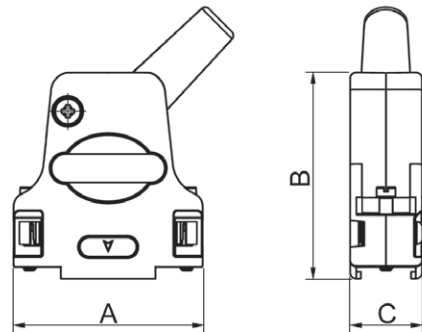
TECHNICAL SPECIFICATIONS

D-Sub Hood:

Material: Zinc, Nickel Plated
 Operating Temperature: -45°C to + 105°C
 Cable Entry: Side Entry
 Thumbscrews: UNC 4-40 (Standard)
 Cable O.D:
 9-Way: Up to 9,5mm
 15-Way: Up to 12,5mm
 25-Way: Up to 12,5mm
 37-Way: Up to 15,5mm

D-Sub High Density:

Insulator: PBT, White, UL94 V-0
 Shell: Stamped Steel, Tin Plated
 Contact pins: Copper Alloy
 Stamped & Formed pins: 100 inserts min
 Contacts Plating: Selective Gold over Nickel
 Operating Temperature: -55°C to +105°C
 Withstanding voltage: 500V for 1 minute
 Insulator resistance: 500MΩ min



Features:

- Available in sizes HD15-26-44-62
- Excellent EMI Shielding
- Re-openable
- Spring-Clip mounted Jackscrews

| Size D45ZF | Dim A | Dim B | Dim C |
|------------|-------|-------|-------|
| 9-way | 31,6 | 39,5 | 15,2 |
| 15-way | 40,0 | 41,0 | 15,2 |
| 25-way | 53,7 | 47,5 | 15,2 |
| 37-way | 70,2 | 48,0 | 15,2 |

Ordering information:

Class 3 D-Sub Connector Kits (100 inserts min.)

| Size: | P/N - Kitted: | Product Code - MALE Conn. Kit |
|-------|---------------|-------------------------------|
| HD 15 | 6355-8064-01 | D45ZF09-HDP15-W-K |
| HD 26 | 6355-8064-02 | D45ZF15-HDP26-W-K |
| HD 44 | 6355-8064-03 | D45ZF25-HDP44-W-K |
| HD 62 | 6355-8064-04 | D45ZF37-HDP62-W-K |

| Size: | P/N - Kitted: | Product Code - FEMALE Conn. Kit |
|-------|---------------|---------------------------------|
| HD 15 | 6355-8064-11 | D45ZF09-HDS15-W-K |
| HD 26 | 6355-8064-12 | D45ZF15-HDS26-W-K |
| HD 44 | 6355-8064-13 | D45ZF25-HDS44-W-K |
| HD 62 | 6355-8064-14 | D45ZF37-HDS62-W-K |

