

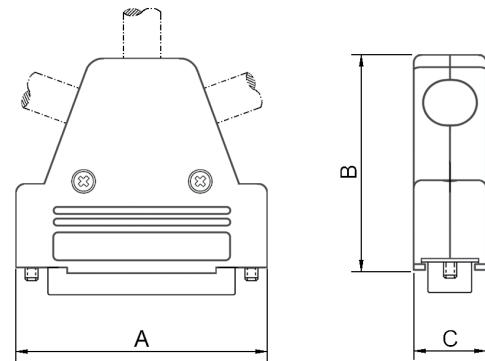
TECHNICAL SPECIFICATIONS

D-sub Hood:

Material: UL 94 V-0 Plastic Material
 Operating Temperature: -55°C to +110°C
 Cable Entry: Side / Top / Side
 Thumbscrews: UNC 4-40 (Standard)
 Cable O.D: Up to 11,5mm
 Colour: Black

Female D-Sub Solder Cup:

Insulator: PBT, Black, UL94 V-0
 Shell: Steel, Tin Plated
 Contact pins: Copper Alloy
 Stamped & Formed Pins: Class 3, 100 inserts min.
 Machined Contact Pins: Class 1, 500 inserts min.
 Contact Plating: Selective Gold over Nickel
 Operating Temperature: -55°C to +105°C
 Withstanding voltage: 1000V for 1 minute
 Insulator resistance: 1000MΩ min.



Size TRI-P	Dim A	Dim B	Dim C
9-way	31,0	45,2	15,0
15-way	40,3	45,2	15,0
25-way	53,5	45,2	15,0
37-way	70,0	45,2	15,0

Features:

- Available in sizes 9-15-25-37
- All sizes feature 3-Way Entry solution
- Re-openable
- Supplied with 2 Blanking Plates and 2 Strain Relief clamps.

Ordering information - Black Insulator:

Size:	P/N - Kitted:	Class 3 - 100 inserts min.
9-way	6355-0036-11	TRI-P-09-DBS-K
15-way	6355-0036-12	TRI-P-15-DBS-K
25-way	6355-0036-13	TRI-P-25-DBS-K
37-way	6355-0036-14	TRI-P-37-DBS-K

Size:	P/N - Kitted:	Class 1 - 500 inserts min.
9-way	6355-0037-11	TRI-P-09-DMS-K
15-way	6355-0037-12	TRI-P-15-DMS-K
25-way	6355-0037-13	TRI-P-25-DMS-K
37-way	6355-0037-14	TRI-P-37-DMS-K

Ordering information - White Insulator:

Size:	P/N - Kitted:	Class 3 - 100 inserts min.
9-way	6355-8036-11	TRI-P-09-DBS-W-K
15-way	6355-8036-12	TRI-P-15-DBS-W-K
25-way	6355-8036-13	TRI-P-25-DBS-W-K
37-way	6355-8036-14	TRI-P-37-DBS-W-K

Size:	P/N - Kitted:	Class 1 - 500 inserts min.
9-way	6355-8037-11	TRI-P-09-DMS-W-K
15-way	6355-8037-12	TRI-P-15-DMS-W-K
25-way	6355-8037-13	TRI-P-25-DMS-W-K
37-way	6355-8037-14	TRI-P-37-DMS-W-K

