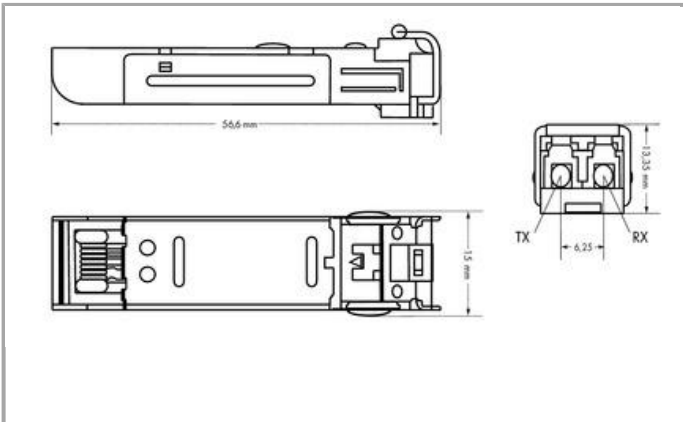
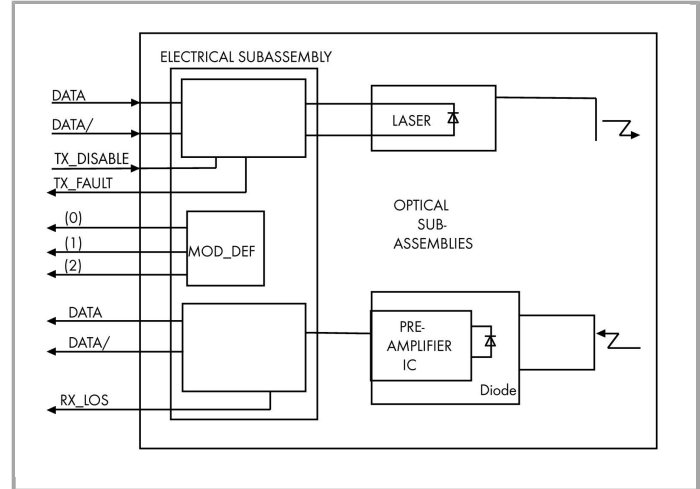




RoHS  Compliant

[BOMcheck.net](https://www.bomcheck.net)



### Item description

#### Features:

- Duplex LC optical connector
- Small Form-Factor Pluggable (SFP) industry-standard design
- Compliant with Fast ETHERNET standard
- Differential LVPECL inputs and outputs
- Power supply: 3.3 V



- TTL signal detect indicator
- Hot-pluggable capability

**Data****Technical Data**

LWL-Fasertyp	Single-mode
--------------	-------------

**Connection data**

Connection technology: communication/fieldbus	1 x SFP, LC fiber-optic connectors
Anschlussanforderung zulässige Leitungslänge	30000 m
Connection requirement (permissible cable type)	Single-mode fiber 9/125 µm, wavelength 1310 nm

**Geometrical Data**

Width	13.4 mm / 0.528 inch
Height	13.3 mm / 0.524 inch
Depth	56.6 mm / 2.228 inch

**Mechanical data**

Weight	25.5 g
--------	--------

**Environmental Requirements**

Surrounding air (operating) temperature	0 ... 60 °C
Surrounding air (storage) temperature	-20 ... 80 °C

**Commercial data**

Country of origin	TW
GTIN	4045454635411
Customs Tariff No.	85176200000

**Downloads****Documentation****Bid Text**

852-201/107-030 Switche	Mar 13, 2018	DOC 27.1 kB	Download
----------------------------	--------------	----------------	----------

**Additional Information**

Disposal; Electrical and electronic equipment, Packaging	Oct 15, 2018	265.8 kB	Download
--	--------------	----------	----------



## System Description

Industrial Switches – General Product Information

Jun 6, 2017

[Download](#)

514.9 kB

---

Subject to changes.

---

WAGO Kontakttechnik GmbH & Co. KG  
Hansastr. 27  
32423 Minden  
Phone: +49571 887-0 | Fax: +49571 887-169  
Email: [info.de@wago.com](mailto:info.de@wago.com) | Web: [www.wago.com](http://www.wago.com)

Do you have any questions about our products?  
We are always happy to take your call at +49 (571) 887-44222.