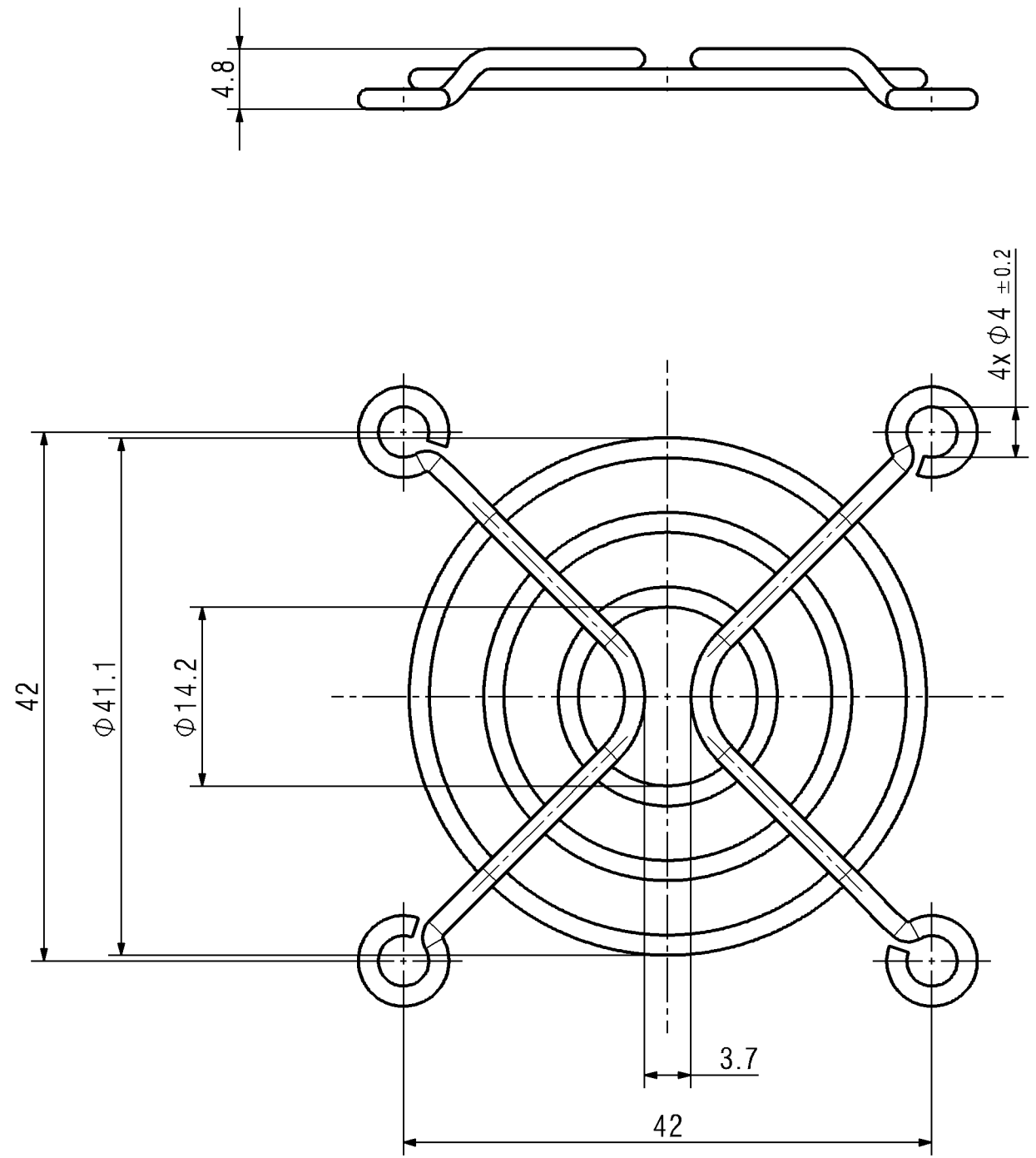


Copying of this document, and giving it others and the use or communication of the contents thereof, are
 forbidden without express authority. Offenders are liable to the payment of damages. All rights are reserved
 in the event of the grant of a patent or the registration of a utility model or design.

Schutzmerk nach DIN ISO 16016 beachten!
 Refer to protection notice DIN ISO 16016!



NOTE:

1. MATERIAL C1010 BRIGHT BASIC WIRE
2. FINISH BRIGHT-NICKEL CHROME
3. (1) RINGS ARE D 1,6 mm
(2) RIBS ARE D 1,6 mm
4. 0,25 mm MAX. DEPTH OF SERRATIONS ON WIRE
5. WELD JOINTS TO WITHSTAND 110 LBS PULL FORCE
6. SPACING BETWEEN RINGS TO BE EQUIDISTANT
7. SURFACE TO BE FLAT WITHIN +/- 1,25 mm
8. PART MEETS D 6,35 mm PLUG GAUGE TEST
9. GENERAL TOLERANCE UNLESS NOTED +/- 0,5 mm
10. UNIT: mm

FR		V5R24	PAPST	Werkstoff / Material: C1010 Bright Basic Wire		Volumen / Volume (mm ³): 865,836	
Dokument-Status / Document-State		CATIA-Version/ CATIA-Version	CAD-Umgebung/ CAD-Environment	Titel / Title: Schutzgitter LZ 31 Guard LZ 31		Gewicht / Mass (g):	
 131310 Aend.-Nr. / Change-No.		9920031000 CPA000-		Zchg.-Nr. / Drawing No: 9920031000		Ers.f.Zchg. / Replaces:	
Tolerierung / Tolerances: Size ISO 14405		3D-Referenzmodell / 3D-Referencemodel		Dokumenttyp / Type of Document		Teilidokument (Blatt/Page)	
Allgemeintoleranzen / Gen. Tolerances: DIN ISO 2768-mK		Datum Name		Index / Index		Format / Size: Massstab/Scale	
		Bearb. / Drawn		C2D		001	
		Gepr. / Checked		B		A3	
		19.03.2019 GUHL		2:1			
		Freig. / Releas.		ebmpapst			
		19.03.2019 MOSERF		ebm-papst St.Georgen GmbH & Co KG			

Vertraulich / Confidential Information 28.03.2019