

Product Data Sheet 5314/2TDHHP

**ebmpapst**

The engineer's choice



5314/2TDHHP

INDEX

<b>1</b>	<b>General .....</b>	<b>3</b>
<b>2</b>	<b>Mechanics .....</b>	<b>3</b>
2.1	General .....	3
2.2	Connections .....	3
<b>3</b>	<b>Operating Data .....</b>	<b>5</b>
3.1	Electrical Interface - Input .....	5
3.2	Electrical Operating Data .....	6
3.3	Electrical Interface - Output .....	7
3.4	Electrical Features .....	7
3.5	Aerodynamics .....	8
3.6	Sound Data .....	9
<b>4</b>	<b>Environment.....</b>	<b>9</b>
4.1	General .....	9
4.2	Climatic Requirements.....	9
<b>5</b>	<b>Safety .....</b>	<b>10</b>
5.1	Electrical Safety .....	10
5.2	Approval Tests .....	10
<b>6</b>	<b>Reliability.....</b>	<b>10</b>
6.1	General .....	10

**1 General**

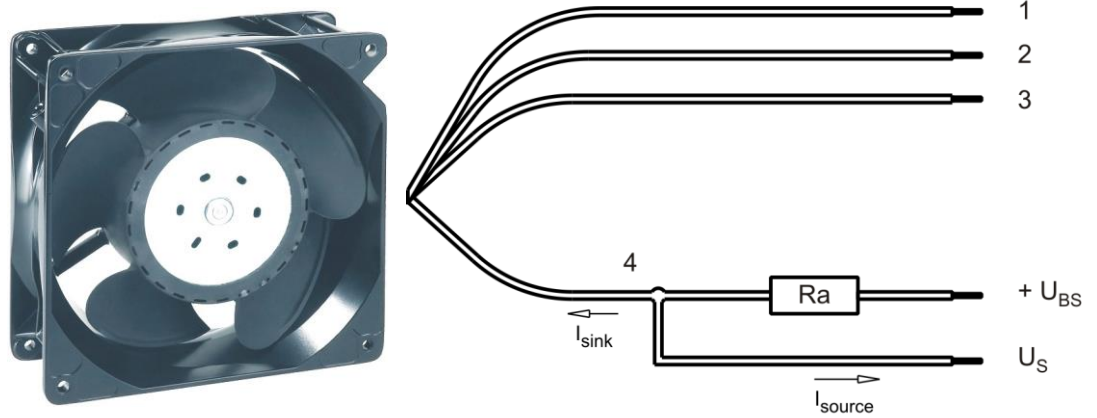
Fan type	Fan	
Rotating direction looking at rotor	Counterclockwise	
Airflow direction	Air intake over struts	
Bearing system	Ball bearing	
Mounting position - shaft	Any	

**2 Mechanics****2.1 General**

Width	140,0 mm	
Height	140,0 mm	
Depth	51,0 mm	
Mass	0,900 kg	
Housing material	Metal	
Impeller material	Plastic	
Max. torque when mounted across both mounting flanges Screw size	Wire outlet corner: 440 Ncm Remaining corners: 600 Ncm ISO 4762 - M4 degreased, without an additional brace and without washer	

**2.2 Connections**

Electrical connection	Wires	
Lead wire length	L = 310 mm	
Tolerance	+ - 10,0 mm	
Tube length	S = 50 mm	
Tolerance	+ - 2,0 mm	
Wire size (AWG)	20	
Insulation diameter	2,05 mm	



Wire	Color	Operation
1	red	+ UB
2	blue	- GND
3	violet	PWM
4	white	Tacho

The auxiliaries shown on the schematic diagram (which are required for the intended use) are not part of our delivery.

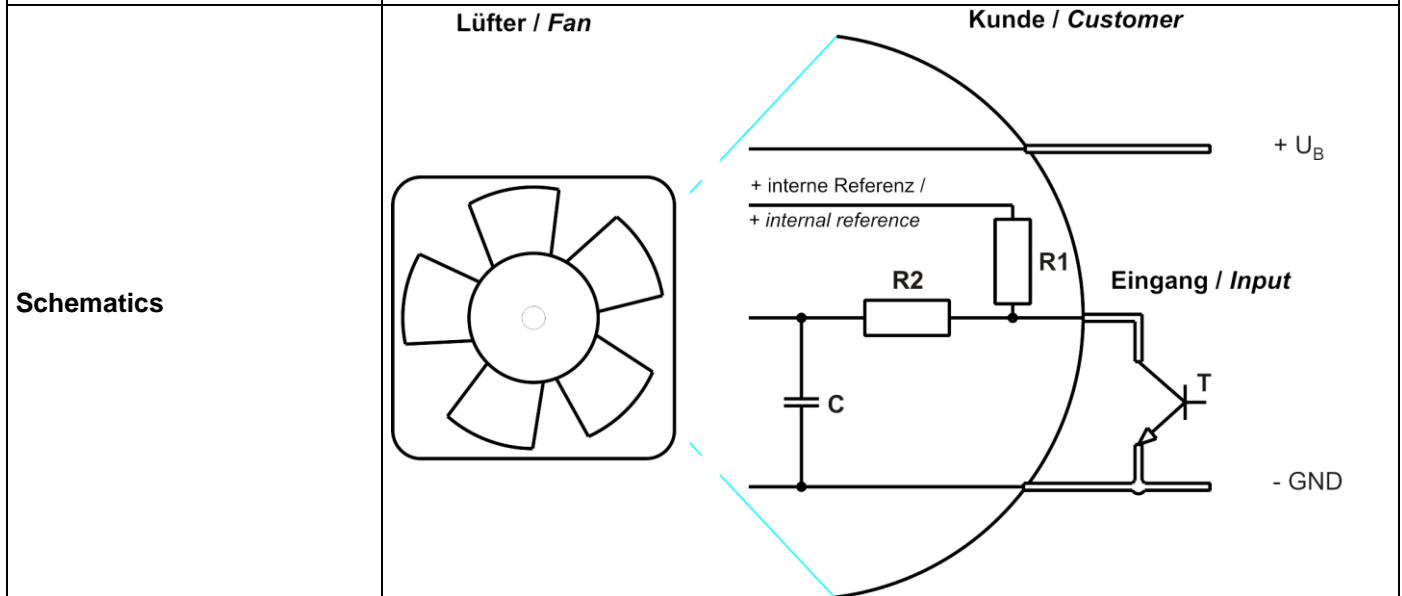
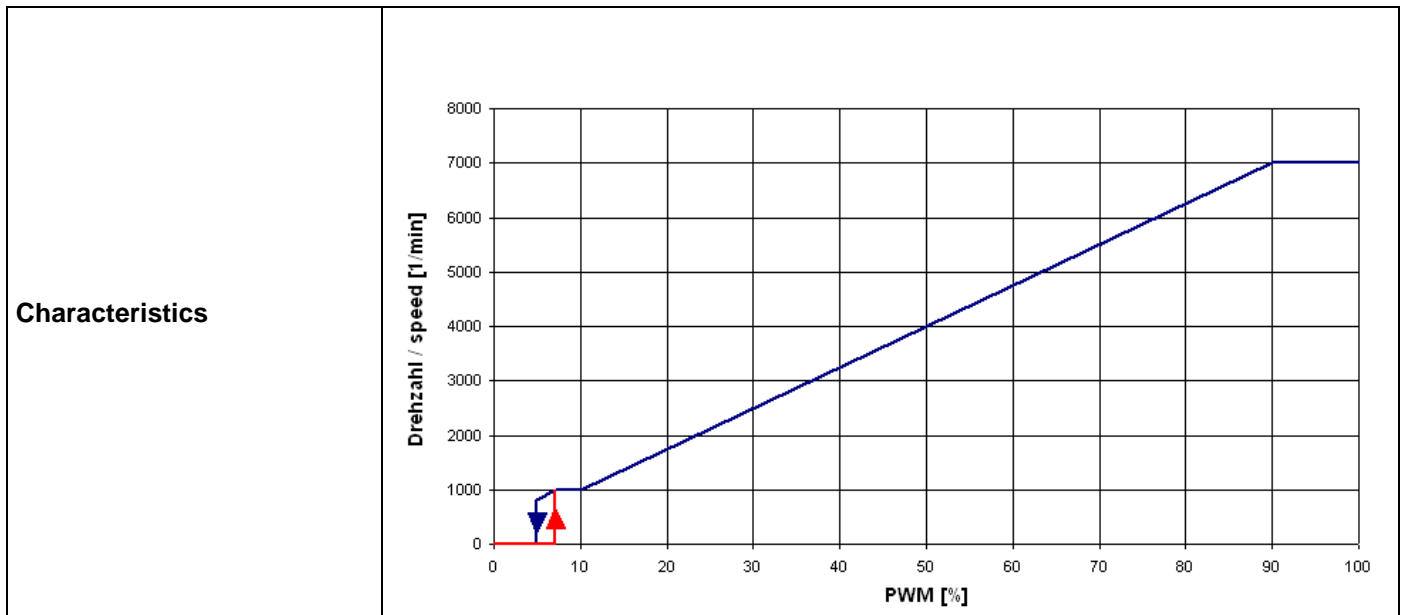
3 Operating Data

3.1 Electrical Interface - Input

Control input	PWM
---------------	-----

Features

PWM - Frequency	1 kHz - 10 kHz typical: 2 kHz
-----------------	----------------------------------



PWM input transistor requirements:  
 $U_{CEmax.} \Rightarrow 12\text{ V}$ ;  $I_{Sink\ max.} > 5\text{ mA}$ ;  $U_{CEsat.} < 0,15\text{ V}$

**Speed control:**

By Puls width modulation (PWM) 0 ... 100%  
 Open collector in relation to signal-ground.

f: 2 kHz +-20%

**Information to the curve:**

0% - <=7% PWM: 0 1/min (Fan off)  
 7% PWM: 1.000 1/min (Start-up, comming from 0% PWM)  
 7% - 10 % PWM: 1.000 1/min (corresponding to min. speed)  
 10% - 90% PWM: linear increasing curve  
 90% - 100% PWM: 7.000 1/min (corresp. to max. fan speed)  
 5% PWM: 800 1/min bzw. 0 1/min (Fan turns off, comming from 100% PWM)

**3.2 Electrical Operating Data**

Measurement conditions: Normal air density = 1,2 kg/m<sup>3</sup>; Temperature 23°C +/- 3°C; Motor axis horizontal; warm-up time before measuring 5 minutes (unless otherwise specified). In the intake and outlet area should not be any solid obstruction within 0,5 m.

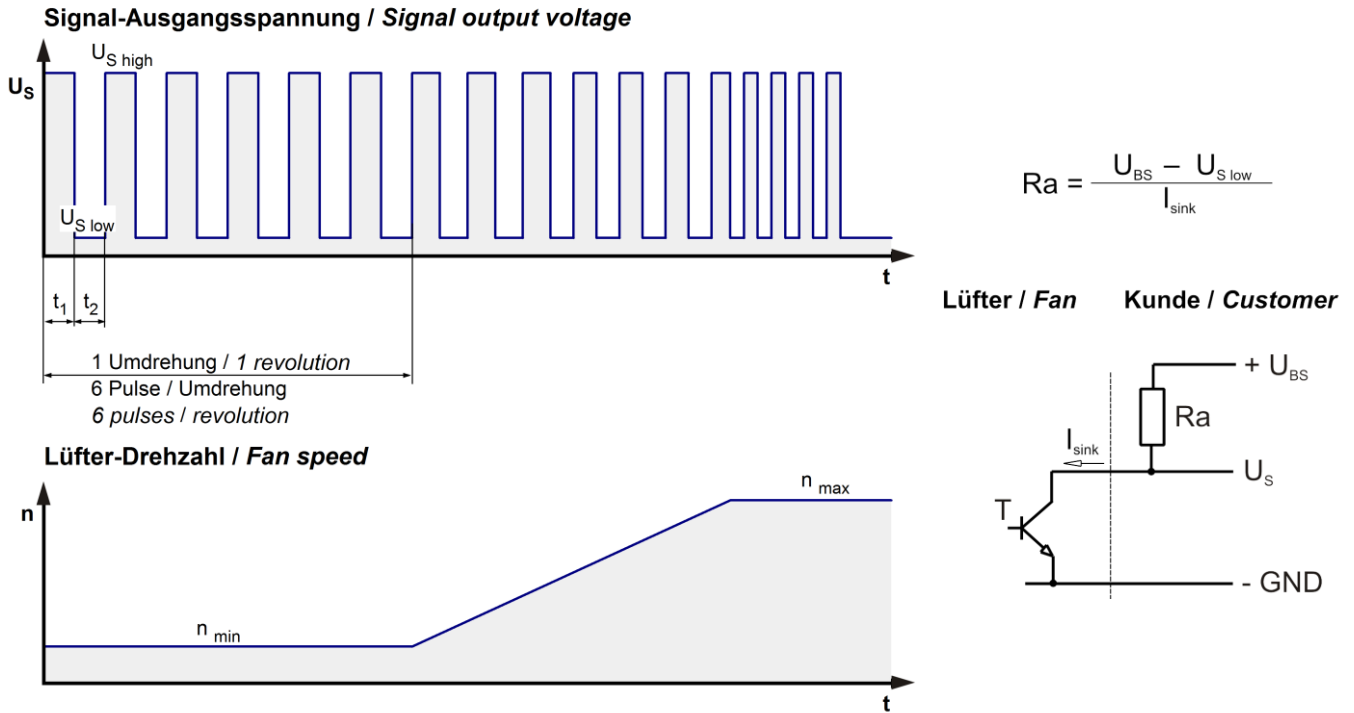
$\Delta p = 0$ : corresp. to free air flow (see chapter aerodynamics)  
 I: corresp. to arithm. mean current value

Name	Condition
PWM 0001	PWM: 100 %; f: 2 kHz

Features	Condition	Symbol	Values		
Voltage range		U	16 V		36 V
Nominal voltage		U <sub>N</sub>		24 V	
Power consumption	$\Delta p = 0$	P	58 W	65 W	69 W
Tolerance	PWM 0010		+/- 10 %	+/- 10 %	+/- 10 %
Current consumption	$\Delta p = 0$	I	3.600 mA	2.700 mA	1.910 mA
Tolerance	PWM 0010		+/- 10 %	+/- 10 %	+/- 10 %
Speed	$\Delta p = 0$	n	6.700 1/min	7.000 1/min	7.000 1/min
Tolerance	PWM 0010		+/- 10 %	+/- 10 %	+/- 10 %

### 3.3 Electrical Interface - Output

Tacho type	/2 (open collector)
------------	---------------------



Features	Note	Values
Tacho operating voltage	$U_{BS}$	Min.: 4 V    Max.: 60 V
Tacho signal Low	$U_{S\ low}$	$\leq 0,4\ V$
Tacho signal High	$U_{S\ high}$	60,0 V
Maximum sink current	$I_{sink}$	$\leq 20\ mA$
External resistor	External resistor $R_a$ from $U_{BS}$ to $U_S$ required. All voltages measured to GND.	
Tacho frequency	$(6 \times n) / 60$	
Tacho isolated from motor	No	
Slew rate		$\Rightarrow 0,5\ V/\mu s$

$n$  = revolutions per minute (1/min)

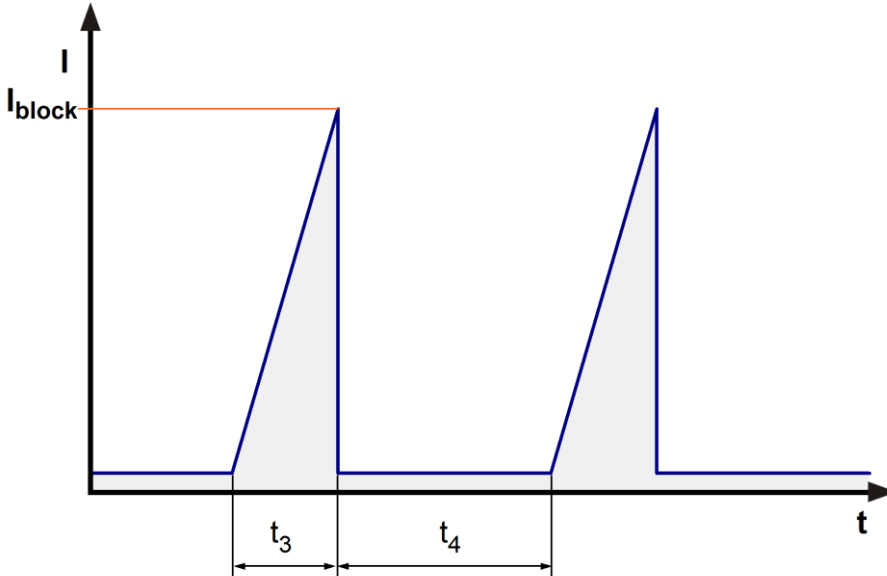
**Please note:**

At zero speed the tacho signal is at a static HIGH. It will be also HIGH when the fan is still spinning, but the speed control signal is set to zero speed already.  
The tacho signal is only activated after the start-up is completed.

### 3.4 Electrical Features

Electronic function	Speed-Controlled	
Reversed polarity protection	P-CH FET	
Max. residual current at $U_N$	$I_F \leq 5\ mA$	

Locked rotor protection	Auto restart	
Locked rotor current at $U_N$	$I_{block}$	
Clock signal at locked rotor	$t_3 / t_4$ typical: 1,5 s / 10,0 s	



Internal Fuse:  
 Littlefuse NANO2(R) FUSE; Very fast acting 451 Series; 12 A (Art.-Nr.: 451012)

To note inrush current @  $U_{nom}$ :  
 The internal electrolytic capacitors 2\*270uF/50V has inrush current limitation, the existing peak depends on ceramic capacitors.

### 3.5 Aerodynamics

Measurement conditions: Measured with a double chamber intake rig acc. to DIN EN ISO 5801. Normal air density = 1,2 kg/m<sup>3</sup>; Temperature 23°C +/- 3°C; In the intake and outlet area should not be any solid obstruction within 0,5 m. Motor shaft horizontal. The information is only valid under the specified test conditions and may be changed by the installation conditions. If there are deviations from the standard test conditions, the characteristic values must be checked under the installed conditions.

a.) Operation condition:

7.000 1/min at free air flow	PWM 100 %; f: 2 kHz		
Max. free-air flow ( $\Delta p = 0 / \dot{V} = \text{max.}$ )	480,0 m <sup>3</sup> /h		
Max. static pressure ( $\Delta p = \text{max.} / \dot{V} = 0$ )	930 Pa		



### 3.6 Sound Data

Measurement conditions: Sound pressure level: 1 meter distance between microphone and the air intake.  
 Sound power level: Acc. to DIN 45635 part 38 (ISO 10302)  
 Measured in a semianchoic chamber with a background noise level of  $L_p(A) < 5 \text{ dB(A)}$   
 For further measurement conditions see chapter aerodynamics.

a.) Operation condition:

7.000 1/min at free air flow	PWM 100 %; f: 2 kHz		
------------------------------	---------------------	--	--

Optimal operating point	320,0 m <sup>3</sup> /h @ 340 Pa	
Sound power level at the optimal operating point	8,2 bel(A)	
Sound pressure level at free air flow, measured in rubber bands	75,0 dB(A)	

## 4 Environment

### 4.1 General

Min. permitted ambient temperature TU min.	-20 °C	
Max. permitted ambient temperature TU max.	70 °C	
Min. permitted storage temperature TL min.	-40 °C	
Max. permitted storage temperature TL max.	80 °C	

### 4.2 Climatic Requirements

Humidity requirements	humid heat, constant; according to DIN EN 60068-2-78, 14 days	
Water exposure	None	
Dust requirements	None	
Salt fog requirements	None	

Permitted application area:

The product is intended for use in sheltered rooms with controlled temperature and controlled humidity. Directly exposure to water must be avoided.

Pollution degree 1 (according DIN EN 60664-1)

There is either no pollution or it occurs only dry, non-conductive pollution. The pollution has no negative impact.

Please require severity levels and specification parameters from the responsible development departments.

## 5 Safety

### 5.1 Electrical Safety

Dielectric strength DIN EN 60950 (VDE 0805) and DIN EN 60335 (VDE 0700) A.) Type test Measuring conditions: After 48h of storage at 95% R.H. and 25°C. No arcing or breakdown is allowed! All connections together to ground.	500 VAC / 1 Min.	
B.) Routine test Measuring conditions: At indoor climate. No arcing or breakdown is allowed! All connections together to ground.	850 VDC / 1 Sec.	
Isolation resistance Measuring conditions: After 48h of storage at 95% R.H. and 25°C measured with U=500 VDC for 1 min.	RI > 10 MOhm	
Clearance / creepage distance	1,0 mm / 1,2 mm	
Protection class	III	

### 5.2 Approval Tests

CE	EC Declaration of Conformity	No
EAC	Eurasian Conformity	Yes
UL	Underwriters Laboratories	Yes / UL audited by CSA according to UL507, Electric Fans
VDE	Association for Electrical, Electronic and Information Technologies	Yes / Approval acc. to EN 60950 (VDE 0805) - Information technology equipment
CSA	Canadian Standards Association	Yes / C22.2 No. 113 Fans and Ventilators
CCC	China Compulsory Certification	Not applicable

The approval tests are observed to:

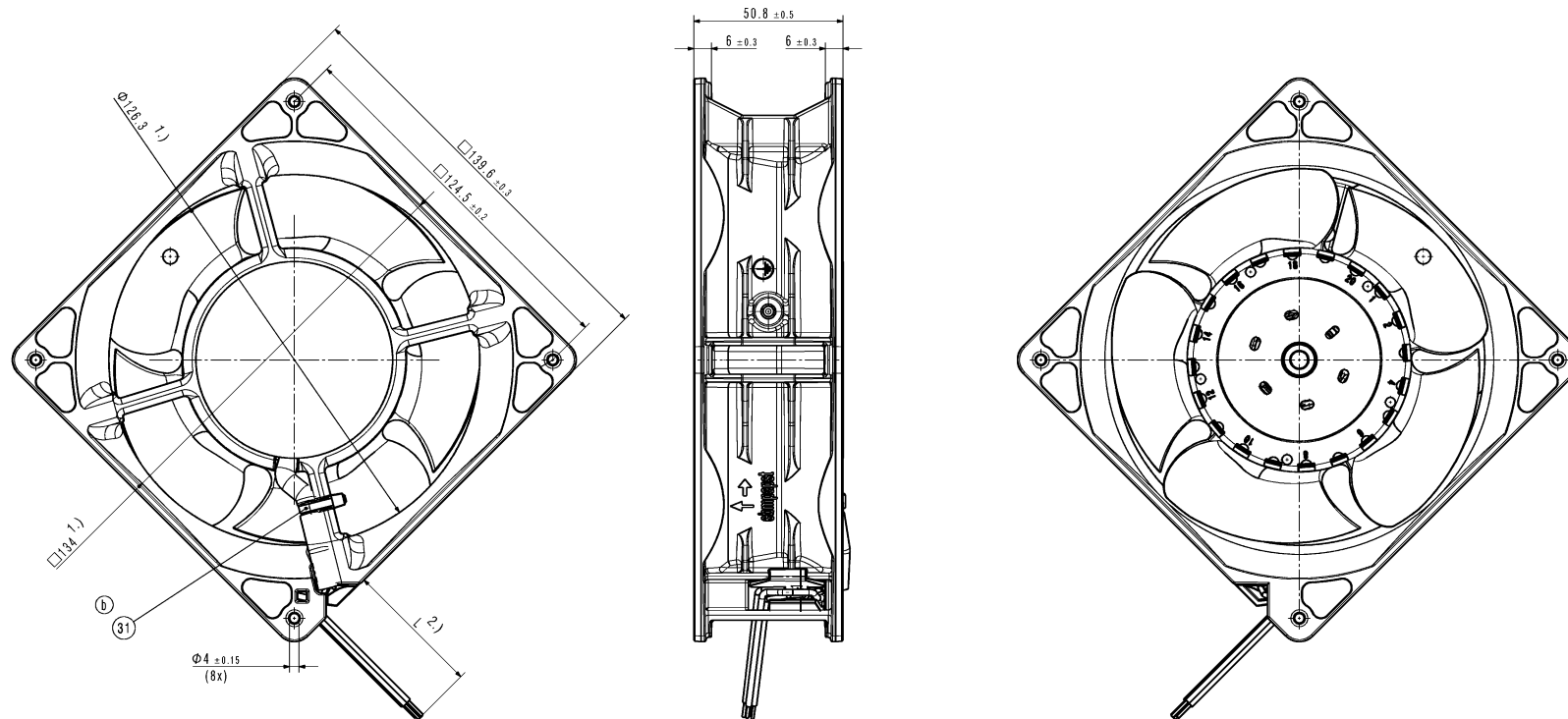
U approval max.:36,0 V @ TU approval max.: 70,0 °C

## 6 Reliability

### 6.1 General

Life expectancy L10 at TU = 40 °C	62.500 h	
Life expectancy L10 at TU max.	30.000 h	
Life expectancy L10 acc. to IPC 9591 at TU = 40 °C	105.000 h	

Copying of this document, and partial or complete reproduction of its contents without the written consent of the manufacturer, are prohibited. This document is intended for internal use only. It is not to be distributed outside the company.



- 1.) Maße aus Montageauschnitt
- 2.) Anzahl und Länge der Litzen siehe Produktspezifikation
- Axialspiel der Kugellager mit Feder spielfrei gelagert

- 1.) measures of mounting cut out
- 2.) length an number of wires see product specification
- ball bearing without clearance by a pre-load spring

SAP-System/Status: 	Zeichnungs-Nr. / Drawing No.: 00040001/000000	CAD-System / Version: CATIA V5/010	CAD-Projektname / CAD-Project Name: 00040001/000000	Ressort / Internal: 00040001/000000	Zeichner / Drawn: 00040001/000000
Tolerierung / Tolerances: 	Datum / Date: 00040001/000000	Zeichner / Drawn: 00040001/000000	Name: 00040001/000000	Anzahl / Total: 00040001/000000	Prüfer / Checked: 00040001/000000
Allgemeine Anmerkungen / General Notes: 	Zeichnungs-Nr. / Drawing No.: 00040001/000000	Zeichnungs-Nr. / Drawing No.: 00040001/000000	Zeichnungs-Nr. / Drawing No.: 00040001/000000	Zeichnungs-Nr. / Drawing No.: 00040001/000000	Zeichnungs-Nr. / Drawing No.: 00040001/000000
		Zeichnungs-Nr. / Drawing No.: 00040001/000000	Zeichnungs-Nr. / Drawing No.: 00040001/000000	Zeichnungs-Nr. / Drawing No.: 00040001/000000	Zeichnungs-Nr. / Drawing No.: 00040001/000000