

Product Data Sheet RL90-18/12N

ebmpapst

The engineer's choice



RL90-18/12N

INDEX

| | | |
|----------|---------------------------------|----------|
| 1 | General | 3 |
| 2 | Mechanics | 3 |
| 2.1 | General | 3 |
| 2.2 | Connections | 3 |
| 3 | Operating Data | 4 |
| 3.1 | Electrical Operating Data | 4 |
| 3.2 | Electrical Features | 4 |
| 3.3 | Aerodynamics | 5 |
| 3.4 | Sound Data | 6 |
| 4 | Environment..... | 6 |
| 4.1 | General | 6 |
| 4.2 | Climatic Requirements..... | 6 |
| 5 | Safety | 7 |
| 5.1 | Electrical Safety | 7 |
| 5.2 | Approval Tests | 7 |
| 6 | Reliability..... | 7 |
| 6.1 | General | 7 |

1 General

| | | |
|-------------------------------------|----------------------------------|--|
| Fan type | Blower | |
| Rotating direction looking at rotor | Clockwise | |
| Airflow direction | Air in axially, Air out radially | |
| Bearing system | Ball bearing | |
| Mounting position - shaft | Any | |

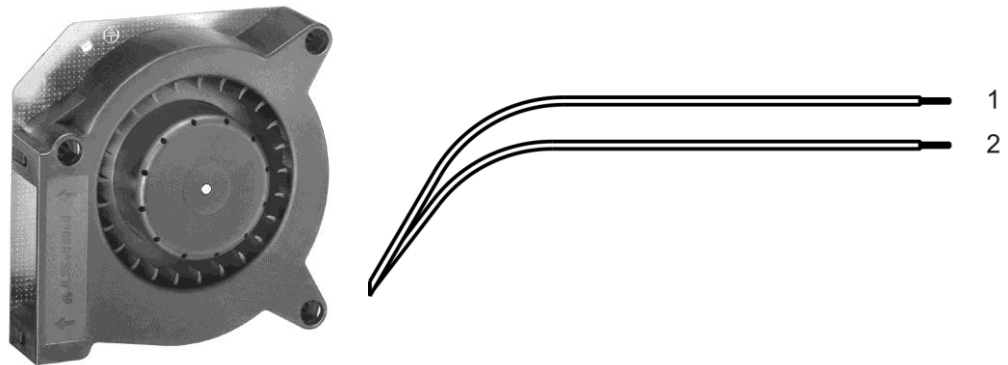
2 Mechanics

2.1 General

| | | |
|---|---|--|
| Width | 120,0 mm | |
| Height | 120,0 mm | |
| Depth | 38,0 mm | |
| Mass | 0,420 kg | |
| Housing material | Plastic | |
| Impeller material | Plastic | |
| Max. torque when mounted across both mounting flanges | Wire outlet corner: 280 Ncm Remaining corners: 280 Ncm | |
| Screw size | ISO 4762 - M4 degreased, without an additional brace and without washer | |

2.2 Connections

| | | |
|-----------------------|-------------|--|
| Electrical connection | Wires | |
| Lead wire length | L = 310 mm | |
| Tolerance | + - 10,0 mm | |



| Wire | Color | Operation | Wire size | Insulation diameter |
|------|-------|-----------|-----------|---------------------|
| 1 | red | + UB | AWG 22 | 1,70 mm |
| 2 | black | - GND | AWG 22 | 1,70 mm |

3 Operating Data

3.1 Electrical Operating Data

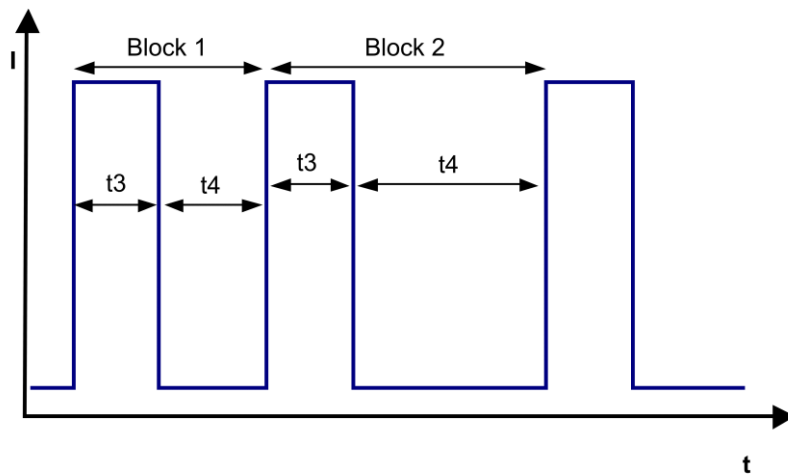
Measurement conditions: Normal air density = 1,2 kg/m³; Temperature 23°C +/- 3°C; Motor axis horizontal; warm-up time before measuring 5 minutes (unless otherwise specified). In the intake and outlet area should not be any solid obstruction within 0,5 m.

$\Delta p = 0$: corresp. to free air flow (see chapter aerodynamics)
 I: corresp. to arithm. mean current value

| Features | Condition | Symbol | Values | | |
|------------------------------|----------------|--------|-------------|-------------|-------------|
| Voltage range | | U | 7 V | | 15,0 V |
| Nominal voltage | | U_N | | 12,0 V | |
| Power consumption | $\Delta p = 0$ | P | 1,9 W | 6,3 W | 10,1 W |
| Tolerance | 0010 | | +/- 17,5 % | +/- 12,5 % | +/- 15,0 % |
| Current consumption | $\Delta p = 0$ | I | 268 mA | 521 mA | 676 mA |
| Tolerance | 0010 | | +/- 17,5 % | +/- 12,5 % | +/- 15,0 % |
| Speed | $\Delta p = 0$ | n | 1.650 1/min | 2.500 1/min | 2.950 1/min |
| Tolerance | 0010 | | +/- 12,5 % | +/- 7,5 % | +/- 10,0 % |
| Starting current consumption | | | | < 1.750 mA | |

3.2 Electrical Features

| | | |
|--------------------------------|-----------------------------------|--|
| Electronic function | None | |
| Reversed polarity protection | Rectifying diode | |
| Max. residual current at U_N | $I_F < 50 \mu A$ | |
| Locked rotor protection | Auto restart | |
| Locked rotor current at U_N | I_{block} approx. 1.750 mA | |
| Clock signal at locked rotor | t_3 / t_4 typical: 0,6 s / 10 s | |



Block1: special locked rotor protection: 5 cycles $t_3 / t_4 = 0,6 \text{ s} / 1 \text{ s}$ Block2: locked rotor protection $t_3 / t_4 = 0,6 \text{ s} / 10 \text{ s}$

3.3 Aerodynamics

Measurement conditions: Measured with a double chamber intake rig acc. to DIN EN ISO 5801.
 Normal air density = 1,2 kg/m³; Temperature 23°C +/- 3°C;
 In the intake and outlet area should not be any solid obstruction within 0,5 m. Motor shaft horizontal.
 The information is only valid under the specified test conditions and may be changed by the installation conditions. If there are deviations from the standard test conditions, the characteristic values must be checked under the installed conditions.

a.) Operation condition:

| | | |
|---|------------------------|--|
| 2.500 1/min at free air flow | | |
| Max. free-air flow ($\Delta p = 0 / \dot{V} = \text{max.}$) | 40,0 m ³ /h | |
| Max. static pressure ($\Delta p = \text{max.} / \dot{V} = 0$) | 120 Pa | |

3.4 Sound Data

Measurement conditions: Sound pressure level: 1 meter distance between microphone and the air intake.
 Sound power level: Acc. to DIN 45635 part 38 (ISO 10302)
 Measured in a semianchoic chamber with a background noise level of $L_p(A) < 5 \text{ dB}(A)$
 For further measurement conditions see chapter aerodynamics.

a.) Operation condition:

| | | |
|---|--------------------|--|
| 2.500 1/min at free air flow | | |
| Optimal operating point | 10,0 m3/h @ 100 Pa | |
| Sound power level at the optimal operating point | 5,9 bel(A) | |
| Sound pressure level at free air flow, measured in rubber bands | | |

4 Environment

4.1 General

| | | |
|--|--------|--|
| Min. permitted ambient temperature TU min. | -30 °C | |
| Max. permitted ambient temperature TU max. | 75 °C | |
| Min. permitted storage temperature TL min. | -40 °C | |
| Max. permitted storage temperature TL max. | 80 °C | |

4.2 Climatic Requirements

| | | |
|-----------------------|---|--|
| Humidity requirements | humid heat, constant; according to DIN EN 60068-2-78, 14 days | |
| Water exposure | None | |
| Dust requirements | None | |
| Salt fog requirements | None | |

Permitted application area:

The product is intended for use in sheltered rooms with controlled temperature and controlled humidity. Directly exposure to water must be avoided.

Pollution degree 1 (according DIN EN 60664-1)

There is either no pollution or it occurs only dry, non-conductive pollution. The pollution has no negative impact.

Please require severity levels and specification parameters from the responsible development departments.

5 Safety

5.1 Electrical Safety

| | | |
|--|------------------|--|
| Dielectric strength DIN EN 60950 (VDE 0805) and DIN EN 60335 (VDE 0700) A.) Type test Measuring conditions: After 48h of storage at 95% R.H. and 25°C. No arcing or breakdown is allowed! All connections together to ground. | 500 VAC / 1 Min. | |
| B.) Routine test Measuring conditions: At indoor climate. No arcing or breakdown is allowed! All connections together to ground. | 850 VDC / 1 Sec. | |
| Isolation resistance Measuring conditions: After 48h of storage at 95% R.H. and 25°C measured with U=500 VDC for 1 min. | RI > 10 MOhm | |
| Clearance / creepage distance | 1,0 mm / 1,2 mm | |
| Protection class | III | |

5.2 Approval Tests

| | | |
|-----|---|---|
| CE | EC Declaration of Conformity | Yes |
| EAC | Eurasian Conformity | Yes |
| UL | Underwriters Laboratories | Yes / UL507, Electric Fans |
| VDE | Association for Electrical, Electronic and Information Technologies | Yes / Approval acc. to EN 60950 (VDE 0805) - Information technology equipment |
| CSA | Canadian Standards Association | Yes / C22.2 No. 113 Fans and Ventilators |
| CCC | China Compulsory Certification | Not applicable |

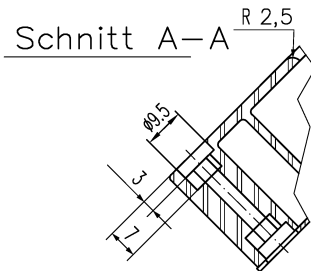
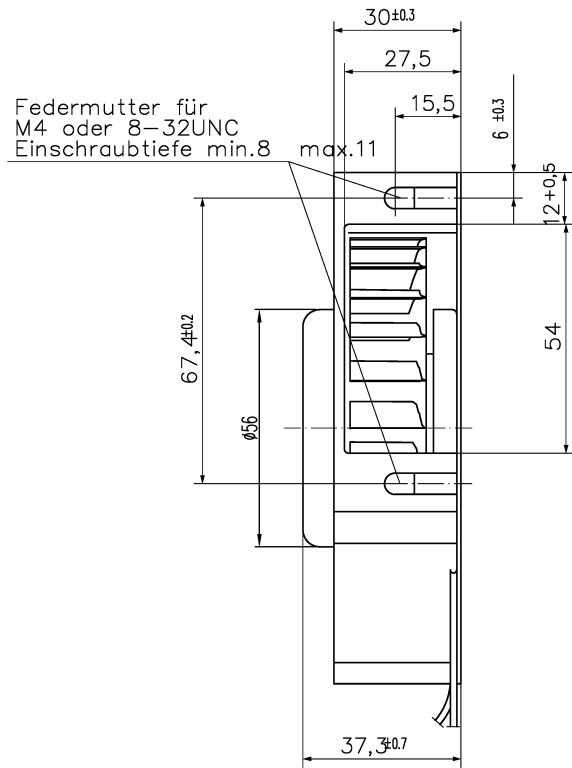
6 Reliability

6.1 General

| | | |
|--|-----------|--|
| Life expectancy L10 at TU = 40 °C | 62.500 h | |
| Life expectancy L10 at TU max. | 27.500 h | |
| Life expectancy L10 acc. to IPC 9591 at TU = 40 °C | 105.000 h | |

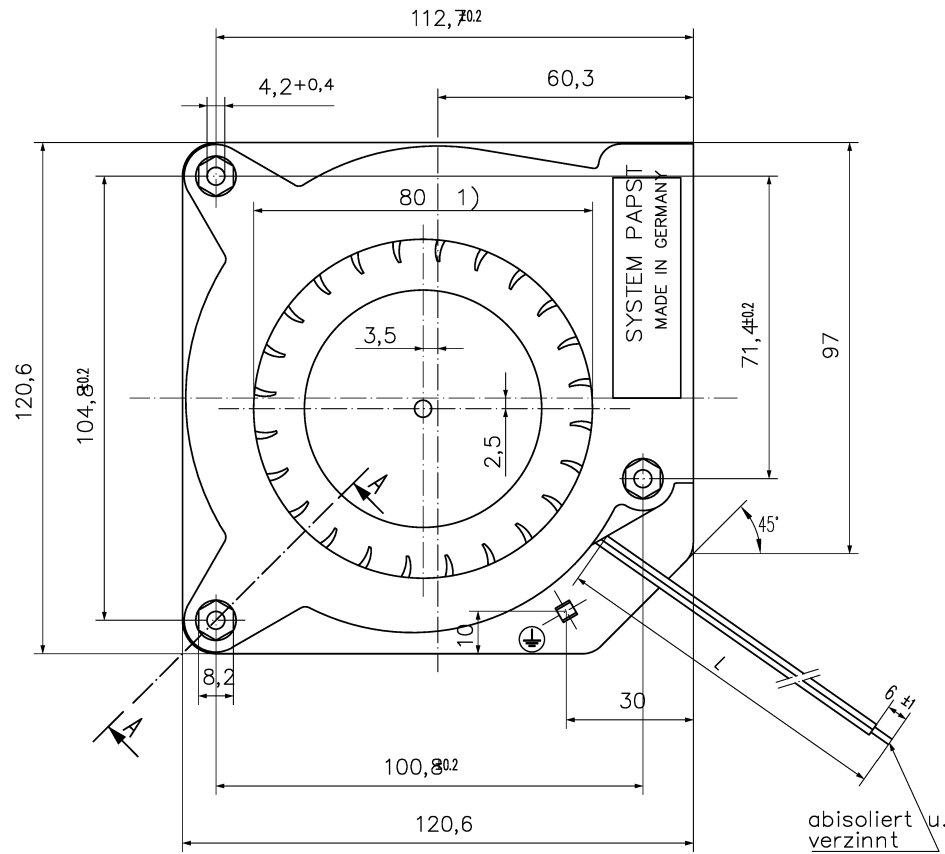
Copying of this document, and giving it to others and the use or communication of the contents thereof, are
 forbidden without express authority. Drawings are liable to the payment of damages. All rights are reserved
 in the event of the grant or the registration of a utility model or design.

Schutzvermerk nach DIN 34 beachten



1) Öffnung in der Montage $\geq 85 \text{ mm}$

Axialspiel bei
 Kugellager : 0 (mit Federausgleich)
 Gleitlager : 0,1 - 0,5



① Anzahl und Länge der Litzen s. Bv. Bl. 1

| | | | | | |
|---|--|--|----------|----------------------------|---------|
| Allgemeintoleranzen | | | | | |
| ISO 2768 - m | | | | | |
| f | | | Datum | Name | Artikel |
| e | | | Erstellt | | |
| d | | | Geprüft | | |
| Index | | | | Zchg.-Nr. | |
| And.-Nr. | | | | PAPST | |
| Datum | | | | PAPST-MOTOREN GmbH & Co KG | |
| Geändert von | | | | D-78112 St. Georgen | |
| Zur Verwendung im Verteiler freigegeben | | | | Germany | |
| von | | | | Ers.f.Zchg. | |
| | | | | Blatt | |

516
 210
 232
 235
 240
 3..