



AIM & THURLBY THANDAR INSTRUMENTS

LCR400

Precision LCR Bridge

INSTRUCTION MANUAL

Aim-TTi

Table of Contents

Introduction	1
Specification	2
Safety	4
Installation	5
Connections	6
Operation	7
Measurement Principles	9
Component Sorting	13
Remote Operation	17
Remote Commands	18
Maintenance	21
Instructions en Francais	22
Bedienungsanleitung auf Deutsch	43
Istruzioni in Italiano	65
Instrucciones en Español	86

Introduction

The LCR 400 Precision Bridge provides a fast, convenient and accurate means of measuring the inductance, capacitance, resistance, D and Q of components with a basic accuracy of 0.1%. The major and minor parameters of the component are displayed simultaneously.

The microprocessor controlled unit provides fully automatic mode and range selection for a wide range of components. Control is by front panel keyboard or by RS232 link to a PC which can be used to set up all measurement functions.

The LCR400 can be programmed to sort a range of components into bins according to value. Multiple bins can be set to sort different tolerances of the same value or different values.

Up to nine measurement set-ups can be stored in the instrument in non-volatile memory and called up for re-use with a few keystrokes.

Connections to the components are made via the built in four-terminal test fixture or plug-in axial adaptor providing true contact resistance free measurements for low impedance components.

The capacitance (up to 100pf) introduced by an external test fixture can be cancelled out permitting high impedance measurements to be made with confidence.

Specification

Specifications apply for 18°C – 28°C ambient after 30 minute warm-up.

Functions

- Parameters Measured: R, L, C, D & Q.
Measurement Modes: Series or parallel equivalent circuit.
Measurement Functions: Fully autoranging including selection between L, C and R. The Zero C function nulls out up to 100pF of stray capacitance in the test fixture.
Measurement Frequency: User selectable to be 100Hz, 1kHz or 10kHz; frequency accuracy $\pm 0.01\%$. 120Hz instead of 100Hz by factory option for 60Hz operation.

Measurement Ranges and Resolution:

Parameter	Range
R	0.1m Ω – 990M Ω
L	0.001 μ H – 9900H
C	0.001pF – 99000 μ F
D	0.001 – 999
Q	0.001 – 999

Measurement Accuracy:

		100/120Hz	1kHz	10kHz
R (Q<0.1)	0.1% \pm 1 digit	2 Ω – 1M Ω	2 Ω – 500k Ω	2 Ω – 50k Ω
	0.5% \pm 1 digit	0.4 Ω – 5M Ω	0.4 Ω – 2M Ω	0.4 Ω – 200k Ω
	2% \pm 1 digit	0.1 Ω – 20M Ω	0.1 Ω – 10M Ω	0.1 Ω – 500k Ω
L (Q>10)	0.1% \pm 1 digit	4mH – 500H	400 μ H – 50H	40 μ H – 5H
	0.5% \pm 1 digit	800 μ H – 2500H	80 μ H – 250H	8 μ H – 25H
	2% \pm 1 digit	200 μ H – 9900H	20 μ H – 1000H	2 μ H – 100H
C (D<0.1)	0.1% \pm 1 digit	10nF – 1000 μ F	1nF – 100 μ F	100pF – 10 μ F
	0.5% \pm 1 digit	2nF – 5000 μ F	200pF – 500 μ F	20pF – 50 μ F
	2% \pm 1 digit	500pF – 20000 μ F	50pF – 2000 μ F	5pF – 200 μ F
Q & D	0.25% \pm 1 digit	0.25 – 4.0 for C = 40nF – 100 μ F or L = 10mH – 50H	0.25 – 4.0 for C = 10nF – 10 μ F or L = 1mH – 2.5H	0.25 – 4.0 for C = 1nF – 1 μ F or L = 100 μ H – 250mH

Capacitance accuracies apply after null.

Measurement Update Rate: 2.5 readings per second.

Limits Comparator (Sort Mode)

Type: Comparison with multiple limits set up from the keyboard or PC via RS232 interface.

Binning: Up to 8 Pass bins for the major parameter, plus minor parameter Fail and general Fail bins.

Display

Display Type:	Dual 5-digit 0.56" LEDs with range and function indication. Maximum display count 50,000.
Display Functions:	Simultaneous display of R + Q, L + Q, C + D, or C + R in normal measurement modes. Prompts to change frequency or mode to improve accuracy. Simultaneous display of Pass/Fail status with Bin No. in Sort mode.

Inputs

Component Connection:	4-terminal connection for both radial and axial devices.
Maximum Voltage on Component:	0.3Vrms.
Bias Voltage:	Switchable 2V polarising voltage for measuring electrolytic capacitors.
Input Protection:	The instrument has been designed to withstand direct connection of capacitors charged up to 50V DC with up to 1 Joule ($\frac{1}{2} CV^2$) of stored energy.

Interfaces

RS232:	Serial link to PC permitting range/function control, limits setting and results data-logging on the PC.
--------	---

General

Keyboard:	Full numeric keyboard for entry of limits data.
Non-Volatile Memory:	Up to 9 complete set ups stored in non-volatile memory.
Power:	220V-240V AC or 110V-120V AC $\pm 10\%$, 50/60Hz, adjustable internally; 25VA max. Installation Category II.
Operating Range:	+5°C to 40°C, 20-80% RH.
Storage Range:	-40°C to 70°C.
Environmental:	Indoor use at altitudes up to 2000m, Pollution Degree 2.
Safety & EMC:	Complies with EN61010-1 & EN61326-1. For details, request the EU Declaration of Conformity for this instrument via http://www.aimtti.com/support (serial no. needed).
Size:	365 x 240 x 95 mm, including feet.
Weight:	2.9 kg.
Options:	Remote 4-terminal measurement interface. 4-terminal surface mount tweezers. Kelvin Clip set. PC logging software.

This instrument is Safety Class I according to IEC classification and has been designed to meet the requirements of EN61010–1 (Safety Requirements for Electrical Equipment for Measurement, Control and Laboratory Use). It is an Installation Category II instrument intended for operation from a normal single phase supply.

This instrument has been tested in accordance with EN61010–1 and has been supplied in a safe condition. This instruction manual contains some information and warnings which have to be followed by the user to ensure safe operation and to retain the instrument in a safe condition.

This instrument has been designed for indoor use in a Pollution Degree 2 environment in the temperature range 5°C to 40°C, 20% –80% RH (non–condensing). It may occasionally be subjected to temperatures between +5° and –10°C without degradation of its safety. Do not operate while condensation is present.

Use of this instrument in a manner not specified by these instructions may impair the safety protection provided. Do not operate the instrument outside its rated supply voltages or environmental range.

WARNING! THIS INSTRUMENT MUST BE EARTHED

Any interruption of the mains earth conductor inside or outside the instrument will make the instrument dangerous. Intentional interruption is prohibited. The protective action must not be negated by the use of an extension cord without a protective conductor.

When the instrument is connected to its supply, terminals may be live and opening the covers or removal of parts (except those to which access can be gained by hand) is likely to expose live parts. The apparatus shall be disconnected from all voltage sources before it is opened for any adjustment, replacement, maintenance or repair.

Any adjustment, maintenance and repair of the opened instrument under voltage shall be avoided as far as possible and, if inevitable, shall be carried out only by a skilled person who is aware of the hazard involved.

If the instrument is clearly defective, has been subject to mechanical damage, excessive moisture or chemical corrosion the safety protection may be impaired and the apparatus should be withdrawn from use and returned for checking and repair.

Make sure that only fuses with the required rated current and of the specified type are used for replacement. The use of makeshift fuses and the short–circuiting of fuse holders is prohibited.

Do not wet the instrument when cleaning it.

The following symbols are used on the instrument and in this manual:–



Caution –refer to the accompanying documentation, incorrect operation may damage the instrument.



alternating current.

Mains Operating Voltage

The operating voltage of the instrument is shown on the rear panel. Should it be necessary to change the operating voltage from 230V to 115V or vice-versa, proceed as follows:

1. Disconnect the instrument from all voltage sources.
2. Remove the 6 screws which hold the case upper to the chassis and lift off, noting the flat cable connector positions.
3. Remove the 4 screws securing the power supply pcb to the chassis and lift the pcb free.
4. Change the appropriate zero-ohm links beside the transformer on the pcb:

Link LK4 only for 230V operation

Link LK3 and LK5 only for 115V operation

Note that, if the change of operating voltage is accompanied by a change of supply frequency, optimum common mode rejection of the mains will be achieved by setting the internal 100/120Hz selection to 100Hz for 50Hz supply and 120Hz for a 60Hz supply. This is set by the status of link LK2 which is situated immediately below the oscillator module on the main circuit board. With no shorting link fitted to the pins the frequency is set to 100Hz; if a shorting link is fitted it is set to 120Hz. The factory setting for 230V operation is 100Hz and for 115V operation is 120Hz. If LK2 is changed from the factory setting the unit will need to be recalibrated at the new frequency setting (calibration settings for 100Hz and 120Hz cannot be held simultaneously).

5. Refit the pcb to the chassis, ensuring all connections (especially safety earth) are remade as before, and refit the case upper.
6. To comply with safety standard requirements the operating voltage marked on the rear panel must be changed to clearly show the new voltage setting.
7. Change the fuse to suit the new operating voltage, see below.

Fuse

The correct time-lag fuse must be fitted for the selected operating voltage.

For 230V operation use 125mA (T) 250V HBC.

For 115V operation use 250mA (T) 250V HBC.

Make sure that only fuses with the required rated current and of the specified type are used for replacement. The use of makeshift fuses and the short-circuiting of fuse holders are prohibited.

Mains Lead

Connect the instrument to the AC supply using the mains lead provided. Should a mains plug be required for a different mains outlet socket, a suitably rated and approved mains lead set should be used which is fitted with the required wall plug and an IEC60320 C13 connector for the instrument end. To determine the minimum current rating of the lead-set for the intended AC supply, refer to the power rating information on the equipment or in the Specification.

WARNING! THIS INSTRUMENT MUST BE EARTHED

Any interruption of the mains earth conductor inside or outside the instrument will make the instrument dangerous. Intentional interruption is prohibited.

Component Connections

The leads of the Device Under Test (DUT) are inserted in the Kelvin connectors on the top of the instrument. Axial components can be inserted into the adaptors supplied, which themselves are inserted into the Kelvin connectors. Both forms of connection provide true four-terminal contact to the DUT to ensure accurate measurement of low impedance components.

The leads of radial components can be pushed directly into the spring-loaded connectors. Alternatively, for delicate leads, the connectors can be opened by pressing down on the connector actuators.

Similarly, the axial adaptors can be inserted by pushing directly into the main connectors; adjust the position of the adaptors to suit the lead and body length of the axial DUT.

Ensure the contact surfaces of the Kelvin connectors are free from contamination. If in doubt, refer to the Maintenance section.

Surface Mount Components

Plug the interface module of the optional surface mount tweezers into the Kelvin connectors. True four-terminal connection is maintained at the tweezers.

Remote Connections

A remote test jig can be connected via the BNC connectors on the optional interface module which inserts into the Kelvin connectors on the top of the instrument. The connectors are labelled High Drive, High Sense, Low Sense and Low Drive. The screens of the Drive coax cables should be connected together at the remote end and connected to the screen and case of the external jig. The screens of the Sense leads should be isolated both from each other and from the jig screen.

Whilst leads of up to 1 metre are unlikely to present problems, the leads to an external jig should be kept as short as possible and the accuracy of measurements checked at all test frequencies and over the range of values being measured before being relied upon.

RS232

9-pin D-connector for PC remote control with the following connections:

Pin	Name	Description
1	DCD	Linked to pins 4 and 6
2	TXD	Transmitted data from instrument
3	RXD	Received data to instrument
4	DTR	Linked to pins 1 and 6
5	GND	Signal ground
6	DSR	Linked to pins 1 and 4
7	RTS	Linked to pin 8
8	CTS	Linked to pin 7
9	–	No internal connection

Connect to a PC with a cable which has pins 2, 3 and 5 wired plus pins 1, 4 & 6 and pins 7 & 8 linked at the PC end. Alternatively, since the links are made within the instrument, a fully-wired 1-to-1 cable may be used.

This section covers general use of the instrument. Although the basic capabilities are largely obvious from the keypad functions, users requiring full performance and accuracy are advised to read this and the Measurement Principles sections in full.

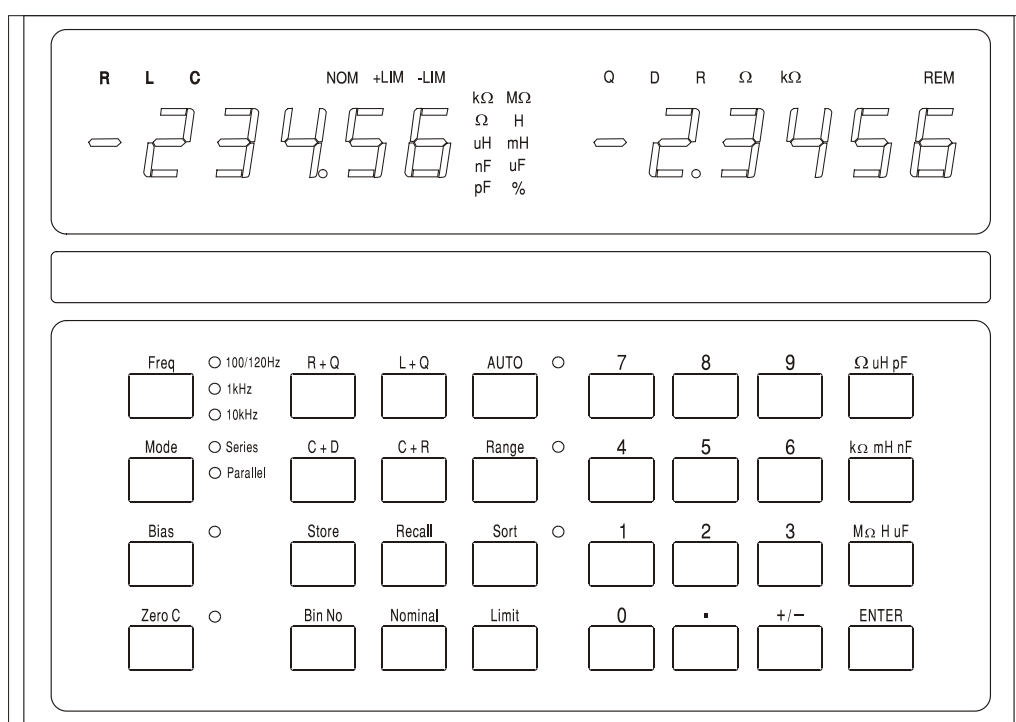
Switching On

Switch on the instrument using the ON/OFF switch on the rear panel.

At switch on the instrument runs a short internal self test procedure, displays the software version, and then waits in Auto mode for a component to measure. If it is switched on with a component connected it will automatically detect and measure that component.

To fully disconnect from the AC supply unplug the mains cord from the back of the instrument or switch off at the AC supply outlet; make sure that the means of disconnection is readily accessible. Disconnect from the AC supply when not in use.

Display



In normal use the left-hand 5-digit display shows the value of the major parameter (L, C or R) and the right-hand display shows the value of the minor parameter (Q, D or R). The parameters being displayed are indicated above their respective numeric values and the units of the parameter are shown to the right of the value itself. A display test which lights all the indicators can be carried out by holding down any key while the instrument is switched on.

Basic measurement accuracy is 0.1% and, for the impedance range for which this accuracy is guaranteed (see Specification) the instrument will autorange to give typically between 5,000 and 50,000 counts of display resolution. If the measured value is outside the range within which 0.1% accuracy is guaranteed (at the measurement frequency selected) the units indicator (kΩ, pF, etc.) will flash to show this. If the frequency indicator is also flashing, changing the frequency range may bring the component being measured within the range of the instrument's 0.1% accuracy specification. For example, measuring 680pF at the default Auto frequency of 1kHz will cause both the units indicator (pF) and frequency range lamp to flash; changing the frequency to 10kHz brings 680pF within the instrument's 0.1% specification and both lamps will stop flashing.

During the set-up and use of the sort facility the displays have other uses; these are fully explained in the Component Sorting section.

Measurement Keys and Indicators

Frequency

Pressing the **Freq** key sets the test frequency for the measurement to 100/120Hz, 1kHz or 10kHz.

Note: For a 50Hz supply the lowest test frequency will generally be 100Hz, for a 60Hz supply it will generally be 120Hz, see Installation section.

Pressing the key changes the frequency from 100/120Hz to 1kHz to 10kHz and back to 100/120Hz. The lamp indicates the setting being used. If the lamp flashes it is a warning that another frequency may give a more accurate measurement for a component of that type and value.

Mode

Selects either series or parallel mode equivalent circuit values to be displayed, see Measurement Principles section. If the lamp flashes it is a warning that the other mode is the more usual selection for a component of that type and value. If Auto mode has been selected the Mode cannot be changed without first selecting L, C or R mode.

Bias

This applies 2 Volts DC across the test terminals to polarise electrolytic capacitors according to the polarity marked on the Kelvin connectors. Note that applying bias to resistors or inductors may cause a measurement error because of internal overload. Bias voltages up to 50V DC can be applied externally, see the External Bias section of the Measurement Principles chapter.

Zero C

When measuring capacitors, pressing this button prior to inserting the component under test zeroes the capacitance reading thereby eliminating the capacitance of the test jig. Up to 100pF of stray capacitance may be zeroed out in this way. The correction factor is lost when the bridge is turned off. Zero C can only be used when capacitance is being measured; if any other function is selected the display will show **not C** for 2 seconds and the command will be ignored.

R+Q, L+Q, C+D, C+R

Sets the instrument to show the major parameter in the left-hand display and the corresponding minor parameter on the right.

Auto

In Auto mode the instrument automatically detects whether the component being measured is a resistor, capacitor or inductor and sets the instrument to display the parameters of the test component automatically. Note that 'imperfect' components, e.g. inductors with a high series resistance, may be incorrectly detected in Auto mode and will need to have the correct function set manually. In Auto mode the measurement frequency can be changed (by pressing the **Freq** key) but the Series/Parallel mode selection is held at the default selection for that component type, see Measurement Principles section. To change from series to parallel mode, or vice-versa, it is first necessary to exit Auto mode by selecting the appropriate function (R+Q, L+Q, etc.); the mode can then be changed with the **Mode** key.

Range Hold

Holds the measurement range at that in use when the button is pressed. This disables the auto-ranging and minimises the settling time between measurements of similar value components.

Note that DUT voltage and current measurement are individually auto-ranged for optimum accuracy and resolution; the processor then determines the measurement uncertainty and sets an appropriate display resolution. Range Hold fixes all of these ranges. If a component with a significantly different value is measured, causing any of these ranges to be exceeded, the display will show **or** (out of range) and Range Hold will need to be turned off to get a true reading.

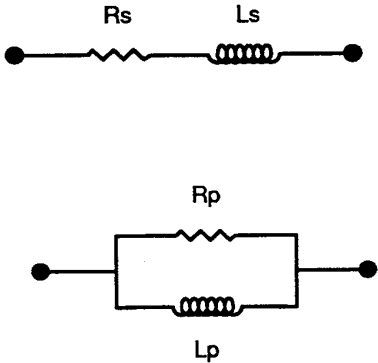
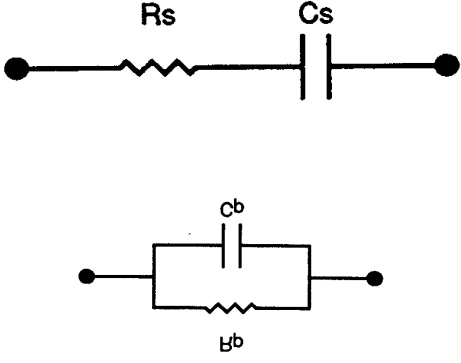
Sorting Keys and Store/Recall Keys

The keys used to set up sorting and binning, and to store and recall complete sorting set-ups, are described in the Component Sorting section.

Circuit models

Resistors, capacitors and inductors can all be represented at a given frequency by a simple series or parallel equivalent circuit. It must be stressed that this is a *simple* equivalent circuit and as such will only be representative over a limited frequency range. The effects of a wide frequency range are discussed later.

The Models used by the LCR400 are as follows:

	
$Z_s = R_s + j\omega L_s$ $Z_p = \frac{j\omega L_p R_p}{R_p + j\omega L_p}$ $Q = \frac{R_p}{\omega L_p} = \frac{\omega L_s}{R_s}$ $L_s = \frac{Q^2}{1+Q^2} L_p \quad R_s = \frac{\omega L_s}{Q} \quad R_p = Q\omega L_p$	$Z_s = R_s - j\frac{1}{\omega C_s}$ $Z_p = \frac{R_p}{1 + j\omega R_p C_p}$ $D = \omega R_s C_s = \frac{1}{\omega R_p C_p} \quad D = \frac{1}{Q}$ <p>(D is also known as $\tan\delta$)</p> $C_s = (1 + D^2) C_p \quad R_s = \frac{D^2}{1 + D^2} R_p$
<p>where $\omega = 2\pi f$</p>	

Resistors

All resistors have parasitic impedances, both inductance and capacitance and distributed effects of both. Fortunately, however, in normal use these parasitic effects are usually very small compared with the resistance.

The LCR 400 provides the opportunity to evaluate the series and parallel components of resistors at 100Hz and 1kHz and 10kHz.

Some types of resistor have more prominent parasitic effects than others. Wire wound resistors, unless they are specially wound, have more inductance than their carbon and metal film equivalents. Even carbon film resistors have inductance due to the inductance of the leads and the spiral cut used to trim the resistance. There is also always capacitance between the end cap connections - on metal film resistors it is typically around 0.25pF. This usually only becomes significant on high value resistors or/and at high frequencies. Bifilar wound resistors may have low inductance but the close proximity of the windings can introduce significant capacitance - distributed along the resistance. To predict the performance of such a component at high

frequencies requires a more complex equivalent circuit than the simple two component series or parallel circuits discussed here. In practice the solution is to select component types to match the frequency range of the application.

For the majority of resistors, where inductive and capacitive parasitics are minimal, both series and parallel circuits will give identical results for resistance.

For resistors where inductance is the significant parasitic, the series equivalent circuit will give the value which matches the manufacturer's data-sheet. For high value devices, capacitance can start to be significant and the parallel equivalent circuit may be more appropriate.

Normally $R+Q$ should be selected for resistors; the Q of a resistor will usually be very low – especially at the low measurement frequencies used. However if the series and parallel resistances at 10kHz differ significantly to those at 100Hz or 1kHz, the Q will be significant. Either the inductance or capacitance of the resistor is producing an effect. Selecting either $C+R$ or $L+Q$ will quantify the parasitic capacitance or inductance.

Low value resistors can be measured at any of the three LCR400 test frequencies but high value resistors ($>100k\Omega$) are best measured on the 100Hz range. The instrument warns if a measurement is outside its maximum accuracy range by flashing the units annunciator; if accuracy can be improved by changing the measurement frequency the frequency annunciator will also flash, see Display section.

Capacitors

All capacitors have parasitic inductance and resistance in addition to their intended capacitance.

The leads of a capacitor can add significant inductance at high frequencies. Spiral wound metal film capacitors can have significant parasitic inductance, which is why they are not used for decoupling high frequencies. Some types of ceramic capacitors can provide excellent decoupling, i.e. have high capacitance with low series resistance and inductance, but can be very lossy. Large value electrolytic capacitors can have significant inductance – this inductance can even resonate with the capacitance at the measurement frequencies of the LCR400. This has the effect of showing a known high value capacitor to have either negative capacitance or inductance.

Capacitors have two main types of parasitic resistance. Firstly there is the physical resistance of the dielectric and dielectric losses; this is normally specified in terms of the Dissipation Factor 'D' or loss tangent and is frequency dependent. Secondly, there is the physical resistance of the leads and the connections to the electrodes on the dielectric. The lead and connection resistance are usually negligible, but on high value electrolytics, used to smooth power supplies, it can be very important. The series resistance of such devices is often a manufacturer's specified parameter.

For most capacitors, other than high value electrolytics, the parallel equivalent circuit will give the capacitance that matches the manufacturer's data sheet. For low loss capacitors the series and parallel equivalent capacitances will be the same.

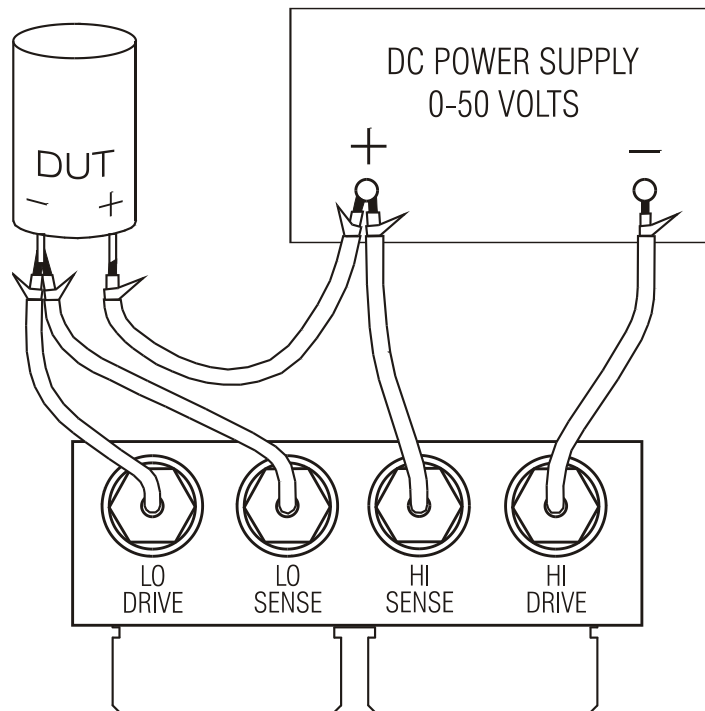
Electrolytic capacitors are polarity sensitive and should be connected to the instrument correctly and bias applied. For very high value electrolytics, for which the manufacturer specifies Equivalent Series Resistance (ESR) the series equivalent circuit should be used.

The LCR 400 provides the means to investigate the losses of capacitors either in terms of dissipation factor ($C+D$) or in terms of equivalent series or parallel resistance ($C+R$).

To get maximum resolution and accuracy, low values of capacitance, ($<4nF$) are best measured on the LCR 400 at 10kHz after zeroing the capacitance with no component connected. Higher values, ($>10\mu F$) should be measured at 100Hz. The instrument warns if a measurement is outside its maximum accuracy range by flashing the units annunciator; if accuracy can be improved by changing the measurement frequency the frequency annunciator will also flash, see Display section.

External Bias

The 2 Volt DC bias available internally (see the Measurement Keys and Indicators section) is usually adequate for polarizing electrolytic capacitors. However, it is possible to externally connect a fully floating power supply (or battery) to give a bias voltage of up to 50 Volts DC.



The external DC bias must be connected to the LCR400 and DUT as shown in the diagram. The High Drive, High Sense, Low Drive and Low Sense connections to the LCR400 are made using the optional interface module which inserts into the Kelvin connectors on the top of the instrument.

The BNC connectors on the interface module are marked with the signal names. Connect to the power supply and DUT using screened cables, e.g. miniature coaxial cable, but leave the screens unconnected at the remote end.



CAUTION. Always observe the correct polarity when connecting capacitors; failure to do so may result in damage to the DUT and possible user injury.



Always discharge capacitors after making measurements with a DC bias, especially at high bias voltages; failure to do so may result in possible user injury and damage to the LCR400 if the charged capacitor is subsequently connected directly to the Kelvin connectors. The LCR400 has been designed to withstand the direct connection of capacitors charged up to 50V DC with up to 1 Joule of stored energy ($\frac{1}{2} CV^2$); it should not, however, be used to routinely discharge such capacitors. Higher voltage or higher energy may result in damage to the instrument.

Inductors

All inductors have resistive losses, parasitic capacitance and an external coupled magnetic field. The resistive losses are the resistance equivalent to losses in the core and the resistance of the conductive wire making up the turns of the inductor. There is capacitance between each turn of conductor and every other turn. The magnetic field of an inductor can extend outside the physical package of the component.

In its simplest form the resistance can be represented as a resistor in series with the inductance, and the capacitance as a capacitor in parallel. The effect of an inductor's self capacitance and inductance at any given frequency combine to produce net inductance below the resonant frequency or capacitance above the resonant frequency.

On high value inductors, such as transformers designed to work at 50/60Hz, the self resonant frequency can be below the higher test frequencies of the LCR 400. Above the self-resonant frequency these inductors will appear as a lossy capacitor. Due to the distributed nature of these parasitics, the equivalent values of the resistance and capacitance change with frequency.

The leaked magnetic field, whilst usually negligible in the case of torroids, laminated core inductors and pot core inductors, can be significant with axial inductors like RF chokes and ferrite rod antennae. This means that the inductance of a device with a 'leaky' magnetic field can vary considerably depending upon the characteristics of any conducting or magnetic material close to the device. Any conductive material within the device's field will contain induced currents that can in turn have the effect of reducing the apparent inductance of the component. Conversely any ferro-magnetic material in the immediate area of the component can have the effect of increasing the apparent inductance. In extreme cases the inductance of a component can appear to vary depending upon its distance above the connectors and steel case of the LCR400.

Low value inductors (<100uH) are best measured at 10kHz whilst high values >25H should be measured at 100Hz. The instrument warns if a measurement is outside its maximum accuracy range by flashing the units annunciator; if accuracy can be improved by changing the measurement frequency the frequency annunciator will also flash, see Display section.

Series / Parallel connection

The LCR400 provides the capability of measuring the series or parallel equivalent circuit parameters of resistors, capacitors and inductors.

In Auto mode the bridge uses the following models.

Resistor	Series
Inductor	Series
Capacitor <1 μ F	Parallel
Capacitor >1 μ F	Series

These will provide the parameters that will match data sheet values for most components.

Component Sorting

The LCR 400 provides comprehensive facilities for sorting components into 'bins' according to value. The parameters for each bin can be defined from the keyboard or from a PC via the RS232 interface. Binning parameters are stored with the instrument set-up; up to 9 complete set-ups can be stored.

Bin limits are set up as percentages around nominal values and can be overlapping or sequential (with the same nominal) or can be percentages around quite different nominals; the bins must, however, apply to the same parameter (R, L or C).

If only one bin is set up, all components outside the range are fails. Up to 8 bins (0–7) can be used to sort on the basis of the major parameter; bin 8 can be used to set limits for the minor parameter only (D, Q or R) and bin 9 is the general fail bin.

Sorting Keys

The following keys are associated with sorting; they are described more fully in the sections that follow.

Sort

Turns the sorting function on and off.

Bin No.

Used for setting each of up to eight bin values.

Nominal

Used to set the nominal value for a bin and the limit for minor parameter (bin 8).

Limit

Used to set the limits for a bin, in percentages.

Numeric keys 0-9, • and ±

Used to enter the bin numbers, program store numbers, nominal values and percentage limits.

Ω μH pF

Used when entering nominal component values to set the appropriate multiplier.

kΩ mH nF

Used when entering nominal component values to set the appropriate multiplier.

MΩ H μF

Used when entering nominal component values to set the appropriate multiplier.

Enter

Used to confirm a numerical entry (value, bin number or program store number).

Store/Recall Keys

The following keys are used to store and recall set-ups:

Store

Stores the complete set-up, including the set binning values, in non volatile memory.

Recall

Recalls up to nine previously stored set-ups.

Simple Pass / Fail Sorting

To set up simple pass/fail sorting, first select the measurement type to be made, i.e. R+Q, L+Q, C+D or C+R. Set the measurement frequency and select series or parallel measurement as required.

Note: Binning cannot be set with the bridge in Auto mode.

Bin Selection

Press the **Bin No.** key to enter set-up mode. Successive presses of the **Bin No.** key will step the display through the options of **binX** (where **X** is the bin number), **CLEAR?** (clear the selected bin), **CLEAR ALL?** (clear all bins) and **End?** (exit bin set-up mode). The first press of **Bin No.** will enter the option sequence where it was last exited; it may be necessary to press the key several times to get to the desired option.

If any previous binning information needs to be cleared select **CLEAR?** with the **Bin No.** key and press **Enter**; the display should show the message **CLEAR done** and then **binX** in the right-hand display, ready for the next step. If all bins are to be cleared select **CLEAR ALL?** and follow a similar procedure.

For simple pass/fail sorting, bin 0 must be used. The other bins (1 to 7 inclusive) should be 'closed' by setting their limits to zero; alternatively, and easier, all the bins can be cleared by using **CLEAR ALL?** before bin 0 is set. Bin 8 can be used to set limits for the minor parameter (Q, D, or R); parts that fail these limits fall into bin 8. Parts that fall into neither bin 0 nor bin 8 fall into bin 9, the general fail bin.

Press **Bin No.** until **binX** shows in the display. Press **0** to select bin 0; **bin0** should show in the right-hand display.

Setting Nominal Value

With **bin0** displayed, press the **Nominal** key; the left-hand display now shows six dashes and **NOM** above them.

Enter the nominal value required, followed by the appropriate units key (**k Ω** , **μ F**, etc.). Press **Enter** to save the value; the left-hand display now shows the value entered.

To edit an entered value simply enter a new value and press **Enter** again.

Setting Limits

With **bin0** displayed, press the **Limit** key; the left-hand display now shows six dashes and **+LIM** above them. The units indicator changes to **%**.

Enter the upper limit of deviation from the nominal allowed for a pass component, as a percentage, and press **Enter**. Note that the minimum value that can be entered is 0.1% and the resolution is 0.1%. The left-hand display again shows the value entered. To change an entered value simply enter a new value and press **Enter** again.

Press the **Limit** key again; the left-hand display shows six dashes but now with **-LIM** above them. Enter the lower limit of deviation from the nominal allowed for a pass component, as a percentage, and press **Enter**. Note that for a limit below the nominal value it is necessary to enter a minus value using the **\pm** key. Note also that the limits need not be symmetrical and can even both be above the nominal or both below the nominal. If no **-LIM** limit is entered the limits are assumed to be symmetrical about the nominal value, i.e. if the upper limit has been set to +0.5%, the lower limit automatically defaults to -0.5%.

The lower limit (**-LIM**) can be set above the upper limit (**+LIM**) but exiting set-up mode and selecting Sort will give **Err bin0**.

Minor Parameter Limits

To set the minor parameter limit (Q, D or R) select bin 8; do this by using the **Bin No.** key until **BinX** is shown, then enter **8**. **bin8** will now show in the left-hand side of the display. To enter the limit press **Nominal**; the minor parameter indicator (Q, D or R) will show in the right-hand side of the display and the limit value should then be entered from the keyboard. Press **Enter** to confirm the limit.

Parts that fail the minor parameter limit of bin 8 will fall into bin 8 regardless of whether the major parameter passes the bin 0 limits. Use of bin 8 is optional; it is not necessary to set a limit and if the limit is left 'closed' (the default state, indicated by dashes) bin 8 will be ignored.

Fail Bin

Parts that do not fall into bin 0 or bin 8 are assigned to bin 9, the general fail bin.

Using Sort

Having set up bin 0, press **Bin No.** until **End?** is shown in the display then press **Enter** to exit the set-up mode.

Press **Sort** to turn on the sort facility. Parts that pass the major parameter percentage limits will be indicated by **PASS bin0** in the display; parts that fail the minor term limits of bin 8 (if set) will be indicated by **FAIL bin8**, parts that do not fall into either bin 0 or bin 8 will be indicated by **FAIL bin9**.

Storing Sort Set-ups

To store a Sort set-up press the **Store** key; the display shows **Store?**. Press a key **1 to 9** followed by **Enter**; after a few seconds the right-hand display shows **done** to indicate that the set-up has been stored. The binning nominal and limits are stored, together with the Function, Frequency, Mode, etc. used for the Sort set-up.

To recall a Sort set-up press **Recall**, the store number (**1 to 9**), and **Enter**. The display shows **rc1 done** when the set-up has been reloaded from non-volatile memory.

Note that memory 0 contains the factory default settings; these can be loaded by pressing, **Recall, 0, Enter**. Memory 0 cannot be overwritten by pressing **Store, 0, Enter** and cannot therefore be used to store binning information.

Multiple Bin Sorting

The LCR400 supports two different schemes for multiple bin sorting, overlap and sequential.

Overlapping (or nested) bins have one nominal value and progressively larger symmetrical limits. Sequential bins can also have one nominal value but asymmetric limits (e.g. -5% to -2%, -2% to +2%, +2% to 5%) or can have different nominal values, each with their own percentage limits.

As with simple pass/fail sorting, bin 8 is the failure bin for the appropriate minor parameter and bin 9 is the general fail bin.

Multiple bin sort schemes can be quite complicated; it is therefore a good idea to write down the binning set-up before programming is started and to save the set-up once programming is complete.

Overlap Sorting

Overlap sorting is used when components are to be sorted into bins according to their deviation from a nominal value, for example sorting a particular resistor value into $\pm 0.1\%$, $\pm 0.5\%$ and $\pm 1\%$ selections.

To set up this type of binning first select the measurement type to be made, e.g. R + Q, set the measurement frequency and select series or parallel mode as required.

Select bin 0 and set the nominal value and tightest tolerance to be selected (i.e. 0.1% in the case of the example) using the **Nominal** and **Limit** keys exactly as described for simple pass/fail testing. Note that, since the limits are symmetrical, it is only necessary to set **+LIM** to 0.1%; if **-LIM** is 'closed' (dashes shown in the display) the lower limit is automatically -0.1% .

Next select bin 1 in a similar way to bin 0 and set its limits to the next tightest tolerance (i.e. 0.5% for the example). In the same way as for bin 0 it is only necessary to set **+LIM** to 0.5%; **-LIM** will default to -0.5% if no limit is set. Also note that it is not necessary to set a nominal for bin 1 (and any successive bins that use the same nominal); if the nominal is left 'closed' (dashes shown in the display) the nominal of the next lower bin, in this case bin 0, is automatically used. Note that if bin 0 does not have a nominal value and limits, selecting Sort will cause the display to show the message **Err bin0**.

Set the **+LIM** limit of bin 2 to 1% to complete the example given.

Set the minor term limit (Q in the case of R + Q measurements) in bin 8 if required; bin 8 is ignored if the limit is 'closed' (dashes shown in the display).

Parts that fall into more than one bin are assigned to the lower numbered bin, Thus the tightest tolerances should be assigned to the lowest bin number, as in the example.

Unused bins should be 'closed' (indicated by dashes) by using the clear bin function.

Parts that do not fall into the pass bins or bin 8 are assigned to bin 9, the general fail bin.

Sequential Sorting

Sequential sorting with the same nominal can be set up in essentially the same way as for overlap sorting, with a nominal value only defined for bin 0. However, every bin will need both upper (**+LIM**) and lower (**-LIM**) limits defined. For example, to sort a particular resistor into the bands -2% to -1% , $\pm 1\%$, and $+1\%$ to $+2\%$, bin 0 has its **NOM** set to the nominal resistor value, **+LIM** set to -1% and **-LIM** set to -2% ; bin 1 has no **NOM** value and its **+LIM** is set to $+1\%$ and its **-LIM** to -1% ; bin 2 has no **NOM** either, its **+LIM** is set to $+2\%$ and its **-LIM** is set to $+1\%$.

Sequential sorting with different nominals can again be set up in essentially the same way but this time every bin has **NOM** set to its respective nominal. If the limits associated with each nominal are symmetric then only **+LIM** need be set, but if they are asymmetric then **-LIM** will also need to be set.

In both schemes bin 8 can be set with the limit for the minor term, if required, exactly as described previously.

Any parts that do not fall into the pass bins or bin 8, including any 'gaps' between the limits of the sequential bins are assigned to bin 9, the general failure bin.

Storing and Recalling Sort Set-ups

Set-ups for multi-bin sorting are stored and recalled from non-volatile memory exactly as described for simple pass/fail sorting.

General

The instrument can be remotely controlled via its RS232 interface.

At power-on the instrument will be in the local state with the REMote indicator off. When a command is received the remote state will be entered and the REMote indicator will be turned on. The keyboard is not locked out and the instrument may be returned to the local state by pressing any key; however, the effect of this action will only remain until the instrument receives another character from the interface, when the remote state will once again be entered.

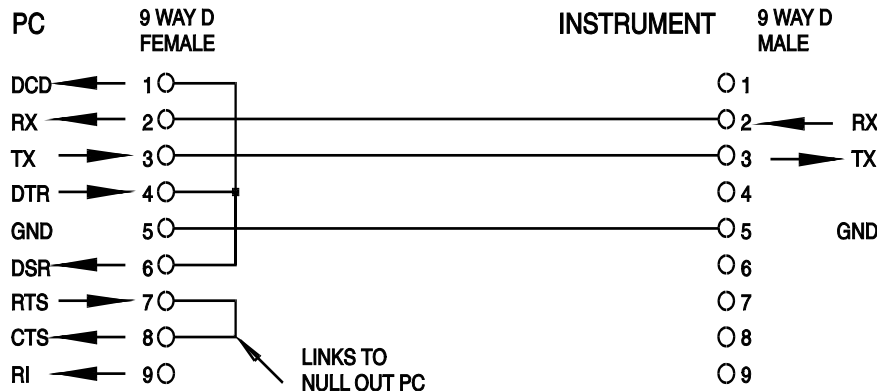
Remote command format and the remote commands themselves are detailed in the Remote Commands chapter.

RS232 Connector

The 9-way D-type serial interface connector is located on the instrument rear panel. The pin connections are as shown below:

Pin	Name	Description
1	DCD	Linked to pins 4 and 6
2	TXD	Transmitted data from instrument
3	RXD	Received data to instrument
4	DTR	Linked to pins 1 and 6
5	GND	Signal ground
6	DSR	Linked to pins 1 and 4
7	RTS	Linked to pin 8
8	CTS	Linked to pin 7
9	-	No internal connection

Connect to a PC with a cable which has pins 2, 3, 5, wired plus pins 1, 4, 6 and pins 7 and 8, linked at the PC end, see diagram. Alternatively, since the links are also made at the instrument end, a fully-wired 1-to-1 cable may be used.



The interface parameters are fixed as follows:

Baud Rate:	9600
Start Bits: 1	Parity: None
Data Bits: 8	Stop Bits: 1

RS232 Character Set

Any ASCII code can be used. Bit 7 of ASCII codes is ignored, i.e. assumed to be low. No distinction is made between upper and lower case characters in command mnemonics and they may be freely mixed. The ASCII control codes between 00H and 31H are ignored, except for 0AH (Line Feed, LF) which is used as a command terminator.

RS232 Remote Command Formats

Serial input to the instrument is buffered in an input queue which is filled, under interrupt, in a manner transparent to all other instrument operations. This queue contains raw (un-parsed) command data which is taken, by the parser, as required. Commands (and queries) are executed in order and the parser will not start a new command until any previous command or query is complete.

Commands (and queries) must be sent as specified in the command list and must be terminated with the command terminator code 0AH (Line Feed, LF). Note that parameters are separated from the command header by one space (20H) and multiple parameters are separated by commas (2CH).

Responses to commands or queries are sent immediately; there is no output queue. The controller must wait for the response to a command or query before the next command or query is sent.

The instrument responds to the controller after every command either with 'OK' if the command was completed successfully, or with 'ERRnn' if the command was not accepted; nn is the error number, see list at the end of this section. The instrument responds to the controller after every query as specified in the commands list. In all cases each response is terminated by 0DH (Carriage Return, CR) followed by 0AH (Line Feed, LF).

<WHITE SPACE> is defined as character codes 00H to 20H inclusive. <WHITE SPACE> is ignored except in command identifiers. e.g. '*C LS' is not equivalent to '*CLS'.

The high bit of all characters is ignored.

The commands are case insensitive.

Command List

This section lists all commands and queries implemented in this instrument. The commands are listed in alphabetical order within the function groups.

The following nomenclature is used:

<rmt>	<RESPONSE MESSAGE TERMINATOR>, CR followed by LF
<nrf>	A number in any format. e.g. 12, 12.00, 1.2 e1 and 120 e-1 are all accepted as the number 12. Any number, when received, is converted to the required precision consistent with the use then rounded up to obtain the value of the command.
<nr1>	A number with no fractional part, i.e. an integer.

Measurement Set-up Commands

BIASOFF	Sets internal bias off.
BIASON	Sets internal bias on.
FREQ <nr1>	Sets the frequency as follows: <1> sets 100Hz or 120Hz as determined by internal hardware link. <2> sets 1kHz. <3> sets 10kHz.
FUNC <nr1>	Sets the measurement function as follows: <0> sets Auto <1> sets R + Q <2> sets L + Q <3> sets C + D <4> sets C + R

HOLDOFF	Sets Range Hold off.
HOLDON	Sets Range Hold on.
MODE <nr1>	Sets the equivalent circuit mode as follows: <1> sets Series mode. <2> sets Parallel mode.
ZEROCON	'Nulls out' residual capacitance (up to 100pF) at the measurement terminals; the measured value is subtracted from all subsequent C + D or C + R readings until Zero C is turned off. Can only be used with a capacitance function already selected.
ZEROCOFF	Turns off Zero C function.

Measurement Reading Commands

READALL?	<p>Returns the values of the major parameter, minor parameter and bin number of the reading completed immediately after the command has been passed.</p> <p>The syntax of the response is <ASCII data><rmt>, where <ASCII data> consists of the three values separated by commas.</p> <p>The major and minor values are returned as a character string of the form X=n.nnnnE±nn where X = R, L, C, Q or D and n is a decimal number. The units are Ohms for R, Henrys for L and Farads for C.</p> <p>For example:</p> <table border="0" style="margin-left: 40px;"> <tr> <td>R=2.0000E+3</td> <td>is 2kΩ</td> </tr> <tr> <td>L=1.5000E-6</td> <td>is 1.5μH</td> </tr> <tr> <td>C=18.000E-12</td> <td>is 18pF</td> </tr> <tr> <td>Q=2.56</td> <td>is Q = 2.56</td> </tr> <tr> <td>D=0.015</td> <td>is D = 0.015</td> </tr> </table> <p>The bin number is returned in the form BIN=n, where n is a decimal number. When binning is not active, NOBIN is returned.</p> <p>Examples of complete responses are:</p> <pre style="margin-left: 40px;">L=1.5000E-6,Q=2.18,NOBIN<rmt> C=186.97E-6,R=0.2015,BIN=2<rmt> R=384.30E-3,Q=0.0004,BIN=1<rmt></pre>	R=2.0000E+3	is 2kΩ	L=1.5000E-6	is 1.5μH	C=18.000E-12	is 18pF	Q=2.56	is Q = 2.56	D=0.015	is D = 0.015
R=2.0000E+3	is 2kΩ										
L=1.5000E-6	is 1.5μH										
C=18.000E-12	is 18pF										
Q=2.56	is Q = 2.56										
D=0.015	is D = 0.015										
READMAJ?	Returns the value of the major parameter only, in the format described above for READALL?										
READMIN?	Returns the value of the minor parameter only, in the format described above for READALL?										
READBIN?	Returns the value of the bin number only in the format described above for READALL?										

Binning Commands

BINCLEAR	Clears the nominal values and limits of all the bins; this has the effect of also turning off Sort, should it be selected.
BINNOM <nr1>,<nrf>	Sets the nominal of Bin <nr1> to value <nrf>; <nr1> can be 0 to 8 (9 is the general fail bin). Note that Bin 8 is always the minor term bin (Q, D or R) The nominal value <nrf> relates to the function selected at the time the first bin is defined; further bins defined relate to the same function. Selecting Sort will force that selected function. If no nominal value is set for a bin, the nominal value for the next lowest bin will automatically be used. The lowest numbered active bin must have its nominal value set; Bin 0 must always be set for binning to be enabled.
BINNOM? <nr1>	Returns the nominal value of bin <nr1> in the form <nrf><rmt>.
LIMHI <nr1>,<nrf>	Sets the upper limit of Bin <nr1> to <nrf>%. The upper limit must be set before the lower limit.
LIMHI? <nr1>	Returns the upper limit of Bin <nr1>.
LIMLO <nr1>,<nrf>	Sets the lower limit of Bin <nr1> to <nrf>%. The lower limit must be set below the upper limit (which must have been set first). If no lower limit is set the instrument will use the negative of the upper limit, i.e. the limits will be symmetrical about the nominal.
LIMLO? <nr1>	Returns the lower limit of Bin <nr1>. Note: Limits may be set for bins with no nominal value; the nominal used will be that of the next lowest bin which has a nominal set.
SortON	Enables binning (sort). Enabling sort forces the measurement function associated with the binning set-up. Sort can only be enabled if at least one bin has been defined.
SortOFF	Disables binning (sort).

System Commands

RST	Resets the instrument to the power-up default settings.
RCL<nr1>	Recalls the instrument set-up contained in store number <nr1>. Valid store numbers are 0 - 9. Recalling store 0 sets all parameters to the power-up default settings. An attempt to recall from a store which has not been previously loaded with a set-up will cause an error.
SAV<nr1>	Saves the complete instrument set-up in store number <nr1>. Valid store numbers are 1 – 9.

Status Commands

*LRN?	Returns the complete set up of the instrument as a hexadecimal character data block. The syntax of the response is LRN <data><rmt>. To re-install the set-up return the block exactly as received, including the LRN header at the beginning of the block, see below. The settings in the instrument are not affected by execution of the *LRN? command.
LRN <character data>	Install data from a previous *LRN? command. Note that the LRN header is provided by the *LRN? response block.

Miscellaneous Commands

*IDN ?	Returns the instrument identification. The exact response is determined by the instrument configuration and is of the form <NAME>,<model>, 0,<version><rmt> where <NAME> is the manufacturer's name, <model> defines the type of instrument and <version> is the revision level of the software installed.
-----------	--

Calibration Specific Commands

See Service Manual for details of calibration specific commands.

Error Numbers

The instrument responds to the controller after every command with 'OK' if the command was completed successfully or with 'ERRnn' if the command was not accepted. Commands will not be accepted if the command is correct but the parameters are out of range (e.g. 'FREQ 5' will return 'ERR1') or if the command is correct but cannot be implemented (e.g. ZEROCON with resistance selected). In the case of '?' commands the error is returned if there is nothing set up to return, e.g. 'ERR8' if no Hi limits have been set for the selected bin. Neither 'OK' nor 'ERRnn' are returned if the command cannot be recognised.

Error Code List

The commands associated with the various error numbers are as follows:

Error No.	Command	Error No.	Command
1	FREQ <nr1>	10	LIMHI <nr1>,<nrf>
2	FUNC <nr1>	11	LIMLO <nr1>,<nrf>
3	MODE <nr1>	12	SORTON
4	ZEROCON	13	RCL <nr1>
5	ZEROCOFF	14	RST
6	BINNOM <nr1>,<nrf>	15	SAV <nr1>
7	BINNOM? <nr1>	16	*LRN?
8	LIMHI? <nr1>	17	LRN <data>
9	LIMLO? <nr1>	18	READALL?

Error 18 is returned in response to READALL? if there is no valid measurement, e.g. display shows overrange.

Maintenance

The Manufacturers or their agents overseas will provide a repair service for any unit developing a fault. Where owners wish to undertake their own maintenance work, this should only be done by skilled personnel in conjunction with the service manual which may be purchased directly from the Manufacturers or their agents overseas.

Cleaning

If the instrument requires cleaning use a cloth that is only lightly dampened with water or a mild detergent.

WARNING! TO AVOID ELECTRIC SHOCK, OR DAMAGE TO THE INSTRUMENT, NEVER ALLOW WATER TO GET INSIDE THE CASE. TO AVOID DAMAGE TO THE CASE NEVER CLEAN WITH SOLVENTS.

Connector Contact Cleaning

Ensure the contact surfaces of the Kelvin connectors are free from contamination. The contacts of both the built-in connectors and the axial adaptors are made of high quality stainless steel but they can pick up contamination from the environment or from component leads inserted into the connector. Occasionally clean the connectors by inserting a piece of clean stiff card between them and lightly pushing back and forth. In extreme cases the card may be moistened with a little suitable cleaning solution.

Cet instrument est de Classe de sécurité 1 suivant la classification IEC et il a été construit pour satisfaire aux impératifs EN61010-1 (impératifs de sécurité pour le matériel électrique en vue de mesure, commande et utilisation en laboratoire). Il s'agit d'un instrument d'installation Catégorie II devant être exploité depuis une alimentation monophasée habituelle.

Cet instrument a été soumis à des essais conformément à EN61010-1 et il a été fourni en tout état de sécurité. Ce manuel d'instructions contient des informations et avertissements qui doivent être suivis par l'utilisateur afin d'assurer un fonctionnement en toute sécurité et de conserver l'instrument dans un état de bonne sécurité.

Cet instrument a été conçu pour être utilisé en interne dans un environnement de pollution Degré 2, plage de températures 5°C à 40°C, 20% - 80% HR (sans condensation). Il peut être soumis de temps à autre à des températures comprises entre +5°C et -10°C sans dégradation de sa sécurité. Ne pas l'utiliser lorsqu'il y a de la condensation.

Toute utilisation de cet instrument de manière non spécifiée par ces instructions risque d'affecter la protection de sécurité conférée. Ne pas utiliser l'instrument à l'extérieur des tensions d'alimentation nominales ou de la gamme des conditions ambiantes spécifiées.

AVERTISSEMENT! CET INSTRUMENT DOIT ETRE RELIE A LA TERRE

Toute interruption du conducteur de terre secteur à l'intérieur ou à l'extérieur de l'instrument rendra l'instrument dangereux. Il est absolument interdit d'effectuer une interruption à dessein. Ne pas utiliser de cordon de prolongation sans conducteur de protection, car ceci annulerait sa capacité de protection.

Lorsque l'instrument est relié au secteur, il est possible que les bornes soient sous tension et par suite, l'ouverture des couvercles ou la dépose de pièces (à l'exception de celles auxquelles on peut accéder manuellement) risque de mettre à découvert des pièces sous tension. Il faut débrancher le cordon secteur de l'appareil avant de l'ouvrir pour effectuer des réglages, remplacements, travaux d'entretien ou de réparation.

Eviter dans la mesure du possible d'effectuer des réglages, travaux de réparation ou d'entretien lorsque l'instrument ouvert est branché au secteur, mais si c'est absolument nécessaire, seul un technicien compétent au courant des risques encourus doit effectuer ce genre de travaux.

S'il est évident que l'instrument est défectueux, qu'il a été soumis à des dégâts mécaniques, à une humidité excessive ou à une corrosion chimique, la protection de sécurité sera amoindrie et il faut retirer l'appareil, afin qu'il ne soit pas utilisé, et le renvoyer en vue de vérifications et de réparations.

Remplacer les fusibles uniquement par des fusibles d'intensité nominale requise et de type spécifié. Il est interdit d'utiliser des fusibles bricolés et de court-circuiter des porte-fusibles.

Eviter de mouiller l'instrument lors de son nettoyage.

Les symboles suivants se trouvent sur l'instrument, ainsi que dans ce manuel.



ATTENTION - se référer à la documentation ci-jointe; toute utilisation incorrecte risque d'endommager l'appareil.



Courant alternatif (c.a.)

Tension d'alimentation secteur

La tension d'alimentation de l'instrument est indiquée à l'arrière. S'il est nécessaire de la modifier de 230V à 115V ou vice-versa, procéder comme suit :

1. Débrancher l'instrument du secteur d'alimentation.
2. Retirer les 6 vis qui maintiennent le couvercle supérieur et soulever ce couvercle en notant la position du connecteur du câble plat.
3. Retirer les 4 vis qui maintiennent la carte à circuits imprimés sur le châssis et libérer la carte.
4. Changer les liaisons zéro ohm appropriées à côté du transformateur de la carte :

LK4 uniquement pour le fonctionnement à 230V

LK3 et LK5 uniquement pour le fonctionnement à 115V

Noter que si le changement de tension de fonctionnement s'accompagne d'un changement de fréquence de la tension, le rejet du mode commun optimum de la tension du secteur peut être réalisé en définissant la sélection interne de 100/120Hz sur 100Hz pour une alimentation à 50Hz et sur 120Hz pour une alimentation à 60Hz. Cette opération se réalise en agissant sur l'état de la liaison LK2 située immédiatement sous le module oscillateur de la carte de circuit principale. Sans liaison de court-circuit sur les broches, la fréquence est fixée à 100Hz ; avec cette liaison, elle est de 120Hz. Le réglage en usine de 230V est de 100Hz, et en 115V, il est de 120Hz. Si le réglage en usine de LK2 est modifié, l'instrument doit être recalibré à la nouvelle fréquence (le calibrage simultané à 100Hz et 120Hz est impossible).

5. Remonter la carte sur le châssis en s'assurant que toutes les connexions (particulièrement la terre) sont rétablies et remonter le couvercle supérieur.
6. Pour satisfaire aux exigences de sécurité, la tension d'alimentation secteur indiquée à l'arrière de l'instrument doit être modifiée pour indiquer la nouvelle tension opérationnelle.
7. Changer le fusible afin qu'il corresponde à la nouvelle tension de fonctionnement (voir ci-après).

Fusible

Le fusible approprié doit être installé en fonction de la tension de fonctionnement sélectionnée.

Pour le fonctionnement à 230V, utiliser un HBC 125mA (T) 250V.

Pour le fonctionnement à 115V, utiliser un HBC 250mA (T) 250V.

S'assurer que seuls les fusibles de la tension nominale et du type requis soient utilisés. L'utilisation de fusibles «maison» et le court-circuitage des porte-fusibles est strictement interdit.

Cordon d'alimentation

Branchez cet instrument sur l'alimentation secteur en utilisant le câble d'alimentation fourni. Si la prise murale requiert l'utilisation d'un câble d'alimentation différent, un câble approprié et approuvé, qui possède une fiche correspondante à la prise murale et un connecteur d'instrument IEC60320 C13, doit être utilisé. Pour vérifier la tension nominale du câble d'alimentation en fonction de la prise secteur, consultez les informations de puissance nominale sur l'équipement ou dans Caractéristiques.

AVERTISSEMENT ! CET INSTRUMENT DOIT ETRE RELIE A LA TERRE

Toute interruption du conducteur de terre secteur à l'intérieur ou à l'extérieur de l'instrument rendra l'instrument dangereux. Toute interruption intentionnelle est absolument interdite.

Connexion des composants

Les fils du composant sous test sont branchés aux connecteurs Kelvin sur le dessus de l'instrument. Les composants à sorties axiales doivent être insérés dans les adaptateurs fournis, lesquels sont eux-mêmes branchés aux connecteurs Kelvin. Les deux formes de connexion permettent le contact véritable à quatre bornes du composant, pour garantir la mesure précise des composants de faible impédance.

Les fils des composants à sorties radiales peuvent être insérés directement dans les connecteurs à ressort. Pour les fils fragiles, ouvrir les connecteurs en appuyant sur leur actionneur.

De la même manière, les adaptateurs axiaux peuvent être insérés directement dans les connecteurs principaux ; régler la position des adaptateurs en fonction de la longueur des fils et de celle du corps du composant.

Vérifier que les surfaces de contact des connecteurs Kelvin soient exemptes de contamination. En cas de doute, consulter la section Maintenance.

Composants montés en surface

Branchez le module d'interface des pinces de montage en surface optionnelles dans les connecteurs Kelvin. Un véritable contact quatre bornes est assuré au niveau des pinces.

Connexions distantes

Un gabarit de test à distance peut être connecté via les connecteurs BNC au module externe d'interface optionnel qui s'insère dans les connecteurs Kelvin sur le dessus de l'instrument. Les connecteurs sont nommés High Drive, High Sense, Low Sense et Low Drive. Les blindages des câbles coaxiaux Drive doivent être branchés ensemble à l'extrémité distante et reliés à l'écran et au boîtier du gabarit externe. Les blindages des câbles Sense doivent être isolés à la fois l'un de l'autre et aussi de l'écran du gabarit de test.

Les câbles jusqu'à un mètre de longueur sont peu susceptibles de poser des problèmes, mais les câbles reliés à un gabarit externe doivent être aussi courts que possible et la précision des mesures doit être vérifiée à toutes les fréquences de test ainsi que sur la plage de valeurs mesurée avant d'être considérées comme fiables.

RS232

Connecteur D à 9 broches pour contrôle à distance par ordinateur individuel :

Broche	Nom	Description
1	DCD	Reliée aux broches 4 et 6
2	TXD	Données transmises depuis l'instrument
3	RXD	Données reçues par l'instrument
4	DTR	Reliée aux broches 1 et 6
5	GND	Terre
6	DSR	Reliée aux broches 1 et 4
7	RTS	Reliée à la broche 8
8	CTS	Reliée à la broche 7
9	–	Aucune connexion interne

Relier ce connecteur à un PC à l'aide d'un câble dont les broches 2, 3 et 5 sont câblées entre les deux extrémités alors que, côté PC, les broches 1, 4, 6 sont reliées entre elles, de même que 7 à 8. Ces liaisons entre broches existant déjà dans l'instrument, un câble blindé fil par fil peut être utilisé.

fréquence Auto par défaut de 1kHz fait clignoter à la fois l'indicateur d'unité (pF) et de fréquence ; changer la fréquence à 10kHz ramène la valeur de 680pF dans la plage de précision de 0,1% de l'instrument, et les voyants cessent de clignoter.

Pendant la configuration et la fonction de tri, l'affichage a d'autres fonctions qui sont expliquées à la section Tri des composants.

Touches et indicateurs de mesure

Fréquence

Le fait d'appuyer sur la touche **Freq** (Fréquence) règle la fréquence de mesure sur 100/120Hz, 1kHz ou 10kHz.

Remarque : pour une alimentation à 50Hz, la fréquence de test la plus basse est généralement de 100Hz ; à 60Hz d'alimentation elle est généralement de 120Hz, voir la section Installation.

Le fait d'appuyer sur cette touche fait passer la fréquence de 100/120Hz à 1kHz puis à 10kHz et de retour à 100/120Hz. Le voyant indique le réglage utilisé. S'il clignote, il indique qu'une autre fréquence pourrait donner une mesure plus précise du composant du type et de la valeur en cours.

Mode

Cette touche sélectionne le mode circuit série ou circuit parallèle équivalent à afficher. Voir la section Principes de mesure. Si l'un des voyants clignote, il indique que l'autre mode de fonctionnement convient mieux au composant du type et de la valeur en cours de mesure. Si le mode Auto (automatique) a été sélectionné, le Mode ne peut être modifié sans sélectionner préalablement L, C ou R.

Bias

Cette fonction applique 2 Volts CC aux bornes de test pour polariser les capacités électrolytiques conformément à la polarité indiquée sur les connecteurs Kelvin. Notez que l'application d'une polarisation aux résistances ou aux inductances peut entraîner une erreur de mesure du fait d'une surcharge interne. Les tensions de polarisation jusqu'à 50 V CC peuvent être appliquées de manière externe : consulter la section Polarisation externe du chapitre Principes de mesure.

Zero C

Lorsque des capacités sont mesurées, le fait d'appuyer sur cette touche avant d'insérer le composant à tester met l'affichage de capacité à zéro et élimine ainsi la capacité du gabarit de test. Jusqu'à 100pF de capacité résiduelle peut être ainsi éliminée. Le facteur de correction est perdu lorsque le pont est éteint. La fonction Zero C ne peut être utilisée que lorsqu'une capacité est mesurée ; si une autre fonction est sélectionnée, l'instrument affiche **not C** pendant 2 secondes et la commande est ignorée.

R+Q, L+Q, C+D, C+R

Règle l'instrument pour afficher le paramètre majeur à gauche et le paramètre mineur à droite.

Auto

En mode Auto, l'instrument détecte automatiquement si le composant en cours de mesure est une résistance, une capacité ou une inductance, et règle l'instrument pour afficher les paramètres de test du composant automatiquement. Il convient de noter que les composants "imparfaits" tels que les inductances à résistance élevée en série peuvent être détectés de manière incorrecte en mode Auto : il est alors nécessaire de régler manuellement la fonction appropriée. En mode Auto, la fréquence de mesure peut être modifiée (en appuyant sur la touche **Freq**) mais la sélection de mode Series/Parallel est maintenue à sa valeur par défaut pour le type de composant en cours. Voir la section Principes de mesure. Pour passer du mode série au mode parallèle, ou vice-versa, il est d'abord nécessaire de quitter le mode Auto en sélectionnant la fonction appropriée (R+Q, L+Q, etc.) ; le mode peut alors être modifié à l'aide de la touche **Mode**.

Range Hold

Cette fonction maintient la gamme de mesure en cours d'utilisation lorsque la touche est enfoncée. Ceci désactive le changement de gamme automatique et minimise le temps d'établissement entre mesures de composants d'une valeur similaire.

Il convient de noter que la gamme de la mesure de la tension et du courant du composant sous test se définit manuellement, pour une précision et une résolution optimales ; le processeur détermine alors l'incertitude de mesure et fixe une résolution d'affichage appropriée. La fonction Range Hold (maintien de la gamme) fixe toutes ces gammes. Si un composant d'une valeur très différente est mesuré et cause le dépassement de l'une quelconque de ces gammes, l'écran affiche **or** (hors gamme) et la fonction Range Hold doit être alors désactivée pour obtenir un affichage exact.

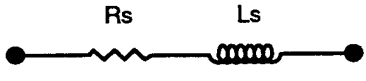
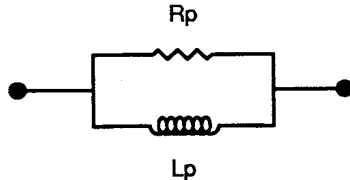
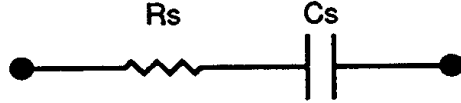
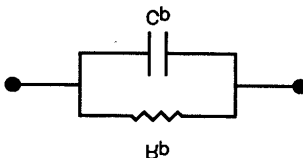
Touches de tri, de sauvegarde et de rappel

Les touches utilisées pour configurer le tri et l'établissement de casiers de mémoire, pour sauvegarder et rappeler des configurations, sont décrites à la section Tri des composants.

Modèles de circuits

Résistances, capacités et inductances peuvent tous être représentés à une certaine fréquence par un simple circuit série ou parallèle équivalent. Il convient de noter qu'il s'agit d'un *simple* circuit équivalent qui, en tant que tel, ne représente qu'une plage de fréquences limitée. Les effets d'une vaste plage de fréquences sont abordés plus avant.

Les modèles utilisés par le LCR400 sont les suivants :

 	 
$Z_s = R_s + j\omega L_s$ $Z_p = \frac{j\omega L_p R_p}{R_p + j\omega L_p}$ $Q = \frac{R_p}{\omega L_p} = \frac{\omega L_s}{R_s}$ $L_s = \frac{Q^2}{1 + Q^2} L_p \quad R_s = \frac{\omega L_s}{Q} \quad R_p = Q\omega L_p$	$Z_s = R_s - j\frac{1}{\omega C_s}$ $Z_p = \frac{R_p}{1 + j\omega R_p C_p}$ $D = \omega R_s C_s = \frac{1}{\omega R_p C_p} \quad D = \frac{1}{Q}$ <p>(D également : $\tan \delta$)</p> $C_s = (1 + D^2) C_p \quad R_s = \frac{D^2}{1 + D^2} R_p$
<p>où $\omega = 2\pi f$</p>	

Résistances

Toutes les résistances ont des impédances parasites, à la fois au niveau inductance et capacité et les effets des deux combinés. Heureusement, en conditions normales d'utilisation, ces effets parasites sont très faibles comparés à la résistance.

Le LCR 400 permet d'évaluer les composants série et parallèle des résistances à 100Hz, 1kHz et 10kHz.

Certains types de résistances présentent des effets parasites plus marqués que d'autres. Les résistances bobinées, à moins qu'elles ne soient spécialement bobinées, présentent une inductance plus élevée que leurs équivalents à couche de carbone ou de métal. Même les résistances à couche de carbone présentent une inductance du fait de l'inductance des fils et de la coupe en spirale utilisée pour finir la résistance. Une capacité existe toujours entre les connexions d'extrémités : sur les résistances à film métallique, elle se situe typiquement autour de 0,25pF. Ceci ne devient important que sur les résistances de valeur élevée ou/et aux hautes fréquences. Les résistances à enroulement bifilaire peuvent présenter une faible inductance, mais la proximité de l'enroulement peut induire une capacité importante répartie le long de la résistance. Pour prévoir la performance d'un tel composant à de hautes fréquences, un circuit

équivalent plus complexe que le simple circuit série ou parallèle à deux composants abordés dans ce manuel est requis. En pratique, la solution consiste à sélectionner des types de composants qui correspondent à la plage de fréquence de l'application.

Pour la majorité des résistances où l'inductance et la capacité parasites sont minimales, les circuits série et parallèle donnent des résultats de mesure identiques.

Dans le cas des résistances pour lesquelles l'inductance est le parasite le plus important, le circuit série équivalent donne une valeur qui correspond à celle de la fiche technique du fabricant. Pour les composants de valeur élevée, la capacité peut commencer à être importante, et le circuit parallèle équivalent peut être plus approprié.

Normalement, R+Q devraient être sélectionnés pour les résistances, le Q d'une résistance étant généralement très bas, particulièrement aux basses fréquences de mesure utilisées. Toutefois, si les résistances série et parallèle à 10kHz diffèrent grandement de celles à 100Hz ou 1kHz, la valeur de Q est importante. Soit l'inductance ou la capacité de la résistance produit un effet. Le fait de sélectionner soit C+R soit L+Q quantifie la capacité ou l'inductance parasite.

Les résistances de faible valeur peuvent être mesurées à n'importe laquelle des trois fréquences de test du LCR400, mais les résistances d'une valeur plus élevée (>100kΩ) se mesurent mieux à 100Hz. L'instrument émet un avertissement si une mesure se trouve en dehors de la plage de précision maximale, en faisant clignoter l'indicateur d'unités ; si la précision peut être améliorée en modifiant la fréquence de mesure, l'indicateur de fréquence clignote aussi. Voir la section Affichage.

Capacités

Toutes les capacités présentent une inductance et une résistance parasites en plus de leur capacité propre.

Les fils d'une capacité peuvent ajouter une inductance importante aux hautes fréquences. Les capacités bobinées à film métallique présentent une inductance parasite importante ; c'est pourquoi elles ne sont pas utilisées pour découpler de hautes fréquences. Certains types de capacités céramique peuvent fournir d'excellents outils de découplage : leur capacité est élevée et leur résistance et leur inductance série est faible, mais les pertes peuvent être importantes. Les capacités électrolytiques de valeur élevée peuvent présenter une inductance importante. Cette inductance peut même résonner avec la capacité aux fréquences de mesure du LCR400. Ceci a pour effet de montrer la capacité ou l'inductance négative d'une capacité donnée de haute valeur.

Les capacités présentent deux types principaux de résistance parasite. Elles présentent tout d'abord une résistance physique du diélectrique et des pertes diélectriques ; ceci est normalement spécifié en termes de Dissipation Factor 'D' ou tangente de l'angle de perte et dépend de la fréquence. Ensuite, elles présentent une résistance physique au niveau des fils et des connexions aux électrodes sur le diélectrique. La résistance des fils et de la connexion est généralement négligeable, mais à des niveaux électrolytiques élevés, utilisés pour le filtrage des alimentations, elle peut être très importante. La résistance série de tels composants est souvent un paramètre spécifié par le fabricant.

Pour la plupart des capacités autres que les électrolytiques à valeur élevée, le circuit parallèle équivalent fournit la capacité qui correspond à la fiche technique du fabricant. Pour les capacités à faible niveau de perte, les capacités série et parallèle sont identiques.

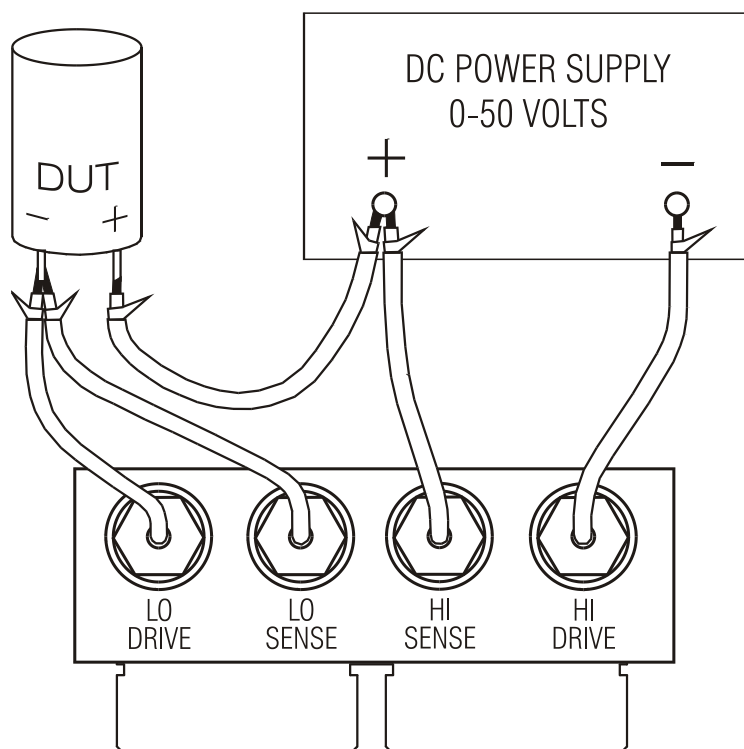
Les capacités électrolytiques sont sensibles à la polarité et leur connexion à l'instrument doit faire l'objet d'une attention particulière, la polarisation doit être appliquée. Pour les électrolytiques de très haute valeur, pour lesquelles le fabricant spécifie Equivalent Series Resistance (ESR) (résistance en série équivalente), c'est le circuit série équivalent qui doit être utilisé.

Le LCR 400 fournit le moyen de rechercher les pertes de capacités soit en termes de facteur de dissipation (C+D) soit en termes de résistance en série équivalente ou résistance en parallèle effective (C+R).

Pour obtenir la résolution et la précision maximales, de faibles valeurs de capacité (<4nF) se mesurent mieux sur le LCR 400 à 10kHz après mise à zéro de l'affichage de capacité sans connexion de composant. Les valeurs plus élevées (>10µF) doivent être mesurées à 100Hz. L'instrument émet un avertissement si une mesure se trouve en dehors de la plage de précision maximale, en faisant clignoter l'indicateur d'unités ; il procède de même si la précision peut être améliorée en modifiant la fréquence de mesure. Voir la section Affichage.

Polarisation externe

La polarisation de 2 V CC disponible en interne (consulter la section Touches et indicateurs de mesure, fonction Bias) est généralement adaptée à la polarisation des capacités électrolytiques. Il est toutefois possible de connecter une alimentation (ou batterie) entièrement isolée pour fournir une tension de polarisation jusqu'à 50 Volts CC.



La polarisation externe CC doit être connectée au LCR400 et au dispositif testé, comme indiqué sur le schéma. Les branchements High Drive, High Sense, Low Drive et Low Sense au LCR400 s'effectuent à l'aide du module d'interface en option qui s'insère dans les connecteurs Kelvin sur le haut de l'instrument.

Les connecteurs BNC du module d'interface portent les noms des signaux. Branchez-les à l'alimentation et au DT à l'aide de câbles antiparasités, comme des câbles coaxiaux miniatures, mais ne branchez pas l'extrémité distante des câbles.



ATTENTION. Toujours respecter la polarité au moment du branchement de capacités, faute de quoi le DT pourrait être endommagé et l'opérateur blessé.



Toujours décharger les capacités après avoir effectué les mesures à l'aide d'une polarisation CC, particulièrement à hautes tensions de polarisation, faute de quoi l'opérateur pourrait être blessé et le LCR400 endommagé, si la capacité chargée était branchée directement dans les connecteurs Kelvin. Le LCR400 a été conçu pour supporter le branchement direct des capacités chargées jusqu'à 50 V CC avec un maximum de 1 Joule d'énergie stockée ($\frac{1}{2} CV^2$) ; il ne devrait donc pas être utilisé pour décharger de telles capacités lors d'opérations de routine. Les hautes tensions et les niveaux élevés d'énergie peuvent entraîner l'endommagement de l'instrument.

Inductances

Toutes les inductances présentent des pertes résistives, une capacité parasite et un champ magnétique externe couplé. Les pertes résistives sont l'équivalent des pertes dans le noyau et de la résistance du fil conducteur constituant les spires de l'inductance. Il y a capacité entre chaque spire du conducteur et entre toutes les autres spires. Le champ magnétique d'une inductance peut se prolonger hors de l'enveloppe physique du composant.

Dans sa forme la plus simple, la résistance peut être représentée comme une résistance en série avec l'inductance, et la capacité comme une capacité en parallèle. L'effet de l'auto-capacité d'une inductance et de l'induction à quelque fréquence que ce soit, se combinent pour produire une inductance nette sous la fréquence de résonance ou une capacité au-dessus de la fréquence de résonance.

Sur les inductances de valeur élevée tels que les transformateurs conçus pour fonctionner à 50/60Hz, la fréquence d'auto-résonance peut être inférieure aux fréquences de test les plus élevées du LCR 400. Au-dessus des fréquences d'auto-résonance, ces inductances apparaissent sous forme de perte capacitive. Du fait de la nature de ces parasites, les valeurs équivalentes de la résistance et de la capacité changent avec la fréquence.

Le champ magnétique rayonné, bien que généralement négligeable dans le cas des bobines toroïdales, des inductances à noyau feuilleté et à noyau en pot, peut être important dans le cas des inductances à sorties axiales comme les bobines d'arrêt HF et les antennes à tige de ferrite. Ceci signifie que l'inductance d'un composant rayonnant un champ magnétique peut varier considérablement selon les caractéristiques des matériaux conducteurs ou magnétiques proches de ce composant. Tout matériau conducteur dans le champ du composant contient des courants induits qui à leur tour peuvent réduire l'inductance apparente du composant. Tout matériau ferromagnétique se trouvant à proximité immédiate du composant peut, au contraire, augmenter l'inductance apparente. Dans les cas extrêmes, l'inductance d'un composant peut sembler varier selon sa distance des connecteurs et du boîtier métallique du LCR400.

Les inductances de faible valeur (<100 μ H) se mesurent le mieux à 10kHz, alors que les plus grandes valeurs (>25H) se mesurent mieux à 100Hz. L'instrument émet un avertissement si une mesure se trouve en dehors de la plage de précision maximale et fait clignoter l'indicateur d'unités. Si la précision peut être améliorée en modifiant la fréquence de mesure, l'indicateur de fréquence clignote également. Voir la section Affichage.

Connexion série/parallèle

Le LCR400 permet de mesurer les paramètres de circuits en série ou en parallèle équivalents de résistances, capacités et inductances.

En mode Auto, le pont utilise les modèles suivants.

Résistance	Série
Inductance	Série
Capacité <1 μ F	Parallèle
Capacité >1 μ F	Série

Ces modèles fournissent les paramètres qui correspondent aux données des fiches techniques de la plupart des composants.

Tri des composants

Le LCR 400 comprend une série de fonctions permettant de trier les composants en les plaçant dans des casiers virtuels de mémoire en fonction de leur valeur. Les paramètres de chaque casier peuvent être définis à partir du clavier ou depuis un PC via l'interface RS232. Les paramètres sont stockés avec la configuration de réglage de l'instrument. Neuf configurations peuvent être stockées.

Les limites des casiers sont établies sous forme de pourcentages autour de valeurs nominales et peuvent être superposés ou séquentiels (même valeur nominale) ; il peut également s'agir de pourcentages autour de valeurs nominales différentes ; les casiers doivent, toutefois, appliquer le même paramètre (R, L ou C).

Si un seul casier est configuré, tous les composants hors de la plage échouent au test. Jusqu'à 8 casiers (0 à 7) peuvent être utilisés pour trier les composants sur la base de leur paramètre majeur ; le casier n°8 peut être utilisé pour déterminer les limites d'un seul paramètre mineur (D, Q ou R) et le casier n°9 est le casier des échecs généraux.

Touches de tri

Les touches suivantes sont associées à la fonction de tri ; elles sont décrites plus amplement dans les sections qui suivent.

Sort (Tri)

Active et désactive la fonction de tri.

Bin No. (Casier n°)

Permet de régler jusqu'à huit casiers de tri.

Nominal (Valeur nominale)

Permet de déterminer la valeur nominale d'un casier de tri et la limite du paramètre mineur (casier n°8).

Limit (Limite)

Permet de définir les limites d'un casier de tri en pourcentages.

Touches numériques de 0 à 9, • et ±

Permettent de taper les numéros de casier, les numéros de stockage de programme, les valeurs nominales et les limites en pourcentages.

Ω μH pF

Permet d'entrer les valeurs nominales des composants pour définir le multiplicateur approprié.

kΩ mH nF

Permet d'entrer les valeurs nominales des composants pour définir le multiplicateur approprié.

MΩ H μF

Permet d'entrer les valeurs nominales des composants pour définir le multiplicateur approprié.

Enter (Entrée)

Permet de confirmer une entrée numérique (valeur, numéro de casier ou numéro de sauvegarde de programme).

Touches de sauvegarde et de rappel

Les touches suivantes permettent de sauvegarder et de rappeler des configurations programmées dans l'instrument :

Store (Sauvegarde)

Sauvegarde la configuration complète, y compris les valeurs définies pour les casiers de tri, dans la mémoire non-volatile.

Recall (Rappel)

Rappelle jusqu'à neuf configurations préalablement programmées dans l'instrument.

Tri simple de réussite et d'échec

Pour définir un simple tri entre les tests réussis et ayant échoué, sélectionner tout d'abord le type de mesure à effectuer, comme R+Q, L+Q, C+D ou C+R. Déterminer la fréquence de mesure et sélectionner la mesure série ou parallèle, selon le cas.

Remarque : la fonction de Binning ne peut être utilisée lorsque le pont est en mode Auto.

Sélection des casiers

Appuyer sur la touche **Bin No.** pour entrer en mode de configuration. Le fait d'appuyer à nouveau sur cette touche **Bin No.** fait défiler l'affichage des options **binX** (où **X** est le numéro de casier), **CLEAR?** (qui efface le casier sélectionné), **CLEAR ALL?** (qui efface tous les casiers) et **End?** (qui permet de quitter le mode de configuration de casiers). La première pression sur la touche **Bin No.** permet d'entrer dans la séquence d'options sélectionnée au moment où l'utilisateur a quitté le programme. Il peut être nécessaire d'appuyer plusieurs fois sur la touche pour obtenir l'option désirée.

Si des informations préalables quelconques sur la mise en casiers de tri doivent être effacées, sélectionner l'option **CLEAR?** avec la touche **Bin No.** puis appuyer sur **Enter** ; le message **CLEAR done** doit normalement s'afficher, suivi de l'option **binX** en haut à droite. L'utilisateur peut alors passer à l'étape suivante. Si tous les casiers doivent être effacés, sélectionner **CLEAR ALL?** et suivre une procédure identique.

Pour un simple tri réussite/échec, le casier 0 doit être utilisé. Les autres casiers (1 à 7 inclus) doivent être "fermés" : pour ce faire, régler leur limite sur zéro. En alternative, et ceci est plus facile, tous les casiers peuvent être effacés en bloc à l'aide de l'option **CLEAR ALL?** avant de configurer le casier 0. Le casier n°8 peut être utilisé pour définir les limites du paramètre mineur (Q, D, ou R) ; les pièces qui échouent à atteindre ces limites sont dirigées vers le casier n°8. Les pièces qui n'entrent ni dans le casier 0 ni dans le casier n°8 sont dirigées dans le casier n°9, casier des échecs généraux.

Appuyer sur la touche **Bin No.** jusqu'à ce que l'option **binX** s'affiche. Appuyez sur **0** pour sélectionner le casier 0 ; l'option **bin0** doit normalement s'afficher en haut à droite.

Définition de la valeur nominale

Lorsque l'option **bin0** est affichée, appuyer sur la touche **Nominal** ; l'écran affiche, à gauche, six tirets et **NOM** au-dessus.

Entrer la valeur nominale requise, suivie des unités appropriées (utiliser les touches **k Ω** , **μ F**, etc.). Appuyer sur **Enter** pour valider ; la valeur entrée s'affiche à gauche de l'écran.

Pour modifier une valeur entrée, il suffit de taper une nouvelle valeur et d'appuyer sur la touche **Enter** pour valider.

Définition de limites

Lorsque l'option **bin0** est affichée, appuyer sur la touche **Limit** ; l'écran affiche six tirets à gauche, et **+LIM** au-dessus. L'indicateur d'unité passe à **%**.

Entrer la limite supérieure de l'écart de la valeur nominale autorisée pour la réussite d'un test de composant, sous la forme d'un pourcentage, et appuyer sur la touche **Enter**. Noter que la valeur minimale pouvant être entrée est 0,1% et la résolution 0,1%. L'écran affiche la valeur entrée à gauche. Pour modifier une valeur entrée, sélectionner une nouvelle valeur et appuyer à nouveau sur la touche **Enter** pour la valider.

Appuyer à nouveau sur la touche **Limit** ; l'écran affiche, à gauche, six tirets surmontés de la mention **-LIM**. Taper la limite inférieure de l'écart de la valeur nominale autorisé pour la réussite d'un test, sous forme de pourcentage, et appuyer sur **Enter**. Noter que pour une limite inférieure à la valeur nominale, il est nécessaire d'entrer une valeur négative à l'aide de la touche **±**. Noter également que les limites n'ont pas besoin d'être symétriques et peuvent même être toutes deux supérieures ou inférieures à la valeur nominale. Si aucune limite **-LIM** n'est entrée, c'est la valeur négative symétrique de la limite supérieure qui est retenue : si cette limite supérieure est, par exemple, de +0,5%, la limite inférieure est fixée, par défaut, à -0,5%.

La limite inférieure (**-LIM**) peut être définie au-dessus de la limite supérieure (**+LIM**), mais le fait de quitter ce mode de configuration et de sélectionner la fonction Sort entraînera l'affichage du message d'erreur **Err bin0**.

Limites de paramètres mineurs

Pour déterminer la limite des paramètres mineurs (Q, D ou R), sélectionner le casier de tri n°8 ; pour ce faire, utiliser la touche **Bin No.** jusqu'à ce que l'option **BinX** s'affiche et taper **8**. L'option **bin8** s'affiche alors à gauche de l'écran.

Pour entrer la limite, appuyer sur **Nominal** ; l'indicateur de paramètres mineurs (Q, D ou R) s'affiche à droite de l'écran, et la valeur limite peut être entrée à l'aide du clavier. Appuyer sur **Enter** pour valider cette limite.

Les pièces qui échouent au test de limite de paramètre mineur du casier de tri n°8 sont dirigées dans le casier n°8 quel que soit leur résultat au test du paramètre majeur au casier 0. L'utilisation du casier n°8 est facultative ; il n'est pas nécessaire de définir une limite, et si la limite est laissée "fermée" (état par défaut, indiqué par des tirets) le casier n°8 est ignoré.

Casier d'échec

Les pièces qui n'appartiennent pas aux casiers 0 et 8 sont affectées au casier n°9, casier des échecs généraux.

Utilisation du tri

Une fois le casier 0 configuré, appuyer sur la touche **Bin No.** jusqu'à ce que l'option **End?** s'affiche, puis appuyer sur **Enter** pour quitter le mode de configuration.

Appuyer sur **Sort (tri)** pour activer la fonction de tri. Les pièces qui réussissent au test des limites de pourcentage du paramètre majeur sont indiquées par la mention **PASS bin0** à l'écran ; les pièces qui échouent au test des limites du paramètre mineur du casier n°8 (s'il a été configuré) sont indiquées par la mention **FAIL bin8**. Les pièces qui n'entrent ni dans l'un ni dans l'autre des casiers sont indiquées par la mention **FAIL bin9**.

Stockage de configurations de tri

Pour stocker (sauvegarder) une configuration de fonction Sort, appuyer sur la touche **Store** (sauvegarde) ; l'écran affiche la mention **store?**. Appuyer sur une des touches **1 à 9** suivie de la touche **Enter** ; au bout de quelques secondes, l'écran affiche **done** à droite, pour indiquer que la configuration a été sauvegardée. Les valeurs nominales et de limites des casiers de tri sont stockées, ainsi que les éléments Fonction (fonction), Frequency, Mode, etc. utilisés pour la configuration de la fonction Sort.

Pour rappeler une configuration Sort, appuyer sur la touche **Recall** (rappel), le numéro sous lequel elle a été stockée (**1 à 9**), et la touche **Enter**. L'écran affiche alors le message **rc1 donE** une fois la configuration rechargée depuis la mémoire non-volatile.

Noter que la mémoire 0 contient les réglages usine par défaut ; ils peuvent être chargés en appuyant successivement sur les touches **Recall, 0, Enter**. La mémoire 0 ne peut être écrasée en appuyant sur les touches **Store, 0, Enter** et ne peut donc être utilisée pour sauvegarder des informations de mises en casiers de tri.

Tri de casiers multiples

Le LCR400 prend en charge deux programmes différents de tri des casiers multiples : superposé et séquentiel.

Les casiers superposés (ou incorporés) ont une valeur nominale et des limites symétriques croissantes. Les casiers séquentiels peuvent aussi avoir une valeur nominale mais leurs limites sont asymétriques (par exemple -5% à -2% , -2% à $+2\%$, $+2\%$ à 5%) ou leurs valeurs nominales peuvent être différentes, chacune avec ses limites de pourcentage.

Comme dans le tri réussite/échec, le casier n°8 est le casier des échecs au paramètre mineur et le casier n°9 est le casier des échecs généraux.

Les programmes de tri de casiers multiples peuvent être assez compliqués ; il est donc recommandé de noter la configuration en l'écrivant avant d'entamer la programmation et de sauvegarder cette configuration une fois la programmation terminée.

Tri des casiers superposés

Le tri de casiers superposés s'utilise lorsque les composants doivent être triés selon leur écart d'une valeur nominale, lorsqu'il s'agit, par exemple, de trier une certaine valeur de résistance par paliers de $\pm 0,1\%$, $\pm 0,5\%$ et $\pm 1\%$.

Pour configurer ce type de tri, commencer par sélectionner le type de mesure à effectuer, comme R + Q, déterminer la fréquence de mesure et sélectionner le mode série ou parallèle approprié.

Sélectionner le casier 0 et définir la valeur nominale et la tolérance la plus stricte à sélectionner (à savoir $0,1\%$ dans le cas de cet exemple) à l'aide des touches **Nominal** et **Limit** comme décrit dans la procédure de test réussite/échec simple. Noter que, les limites étant symétriques, il n'est nécessaire que de définir **+LIM** sur $0,1\%$; si **-LIM** est "fermée" (l'écran affiche des tirets) la limite inférieure est automatiquement fixée à $-0,1\%$.

Sélectionner ensuite le casier n°1 de la même manière que pour le casier 0, et définir ses limites à la tolérance la plus stricte suivante (à savoir $0,5\%$ dans cet exemple). De la même manière que pour le casier 0, il est nécessaire de régler la **+LIM** à $0,5\%$; le paramètre **-LIM** prend la valeur par défaut de $-0,5\%$ si aucune limite n'est définie. Noter également que s'il n'est pas nécessaire de déterminer une valeur nominale pour le casier n°1 (et tous les casiers subséquents utilisant la même valeur) ; si la valeur nominale reste "fermée" (l'écran affiche des tirets) la valeur nominale du casier voisin le plus bas, dans ce cas le casier 0, est automatiquement utilisée. Noter que si le casier 0 n'a aucune valeur nominale ni aucune limite, le fait de sélectionner la fonction Sort entraîne l'affichage du message **Err bin0**.

Régler la limite **+LIM** du casier n°2 sur 1% pour compléter l'exemple.

Régler la limite mineure (Q dans le cas des mesures R + Q) dans le casier n°8 le cas échéant ; le casier n°8 est ignoré si la limite est "fermée" (l'écran affiche des tirets).

Les pièces qui entrent dans plusieurs casiers sont affectées au casier du numéro le plus bas. Ainsi, les tolérances les plus strictes doivent être affectées au casier du numéro le plus bas, comme dans l'exemple.

Les casiers non utilisés doivent être "fermés" (les tirets s'affichent) à l'aide de la fonction d'effacement.

Les pièces qui n'entrent pas dans les casiers de réussite ni dans le casier n°8 sont affectées au casier n°9, casier des échecs généraux.

Tri des casiers séquentiels

Le tri séquentiel à l'aide de la même valeur nominale peut être configuré de la même manière que pour le tri des casiers superposés, et la valeur nominale n'est déterminée que pour le casier 0. Chaque casier doit, toutefois, présenter une limite supérieure (**+LIM**) et une limite inférieure (**-LIM**). Pour trier, par exemple, une résistance particulière dans les plages -2% à -1% , $\pm 1\%$, et $+1\%$ à $+2\%$, la valeur **NOM** du casier 0 doit être fixée sur la valeur nominale de la résistance, **+LIM** doit être fixée à -1% et **-LIM** à -2% ; le casier n°1 n'a pas de valeur **NOM** et sa **+LIM** est fixée à $+1\%$; sa **-LIM** est fixée à -1% . Le casier n°2 n'as pas de **NOM** non plus, et sa **+LIM** est fixée à $+2\%$, tandis que sa **-LIM** est fixée à $+1\%$.

Le tri séquentiel avec différentes valeurs nominales peut aussi être configuré de la même manière, mais cette fois, chaque casier présente une valeur **NOM** déterminée sur sa valeur nominale respective. Si les limites associées à chaque valeur nominale sont symétriques, seule la limite **+LIM** doit être déterminée ; mais si elles sont asymétriques, alors la limite **-LIM** doit également faire l'objet d'une définition.

Dans les deux programmes, le casier n°8 peut être configuré avec la limite de paramètre mineur le cas échéant, comme décrit précédemment.

Toutes les pièces qui n'entrent pas dans les casiers de réussite ni dans le casier n°8, y compris les "écarts" entre les limites des casiers séquentiels, sont affectées au casier n°9, casier des échecs généraux.

Stockage et rappel des configurations de tri

Les configurations de tri de casiers multiples se stockent et se rappellent de la mémoire non-volatile exactement de la même manière que dans le cas du simple tri réussite/échec.

Fonctionnement à distance

Généralités

Cet instrument peut être commandé à distance à l'aide de son interface RS232.

A la mise en marche, l'instrument est en mode local et l'indicateur REMote (commande à distance) est éteint. Lorsqu'il reçoit une commande, le mode à distance est activé et l'indicateur REMote s'allume. Le clavier n'est pas verrouillé, et l'instrument peut revenir à l'état local à tout instant, sur simple pression d'une touche ; cependant, l'effet de cette action ne perdure que jusqu'à ce que l'instrument reçoive un autre caractère de l'interface, auquel cas le mode à distance est réactivé.

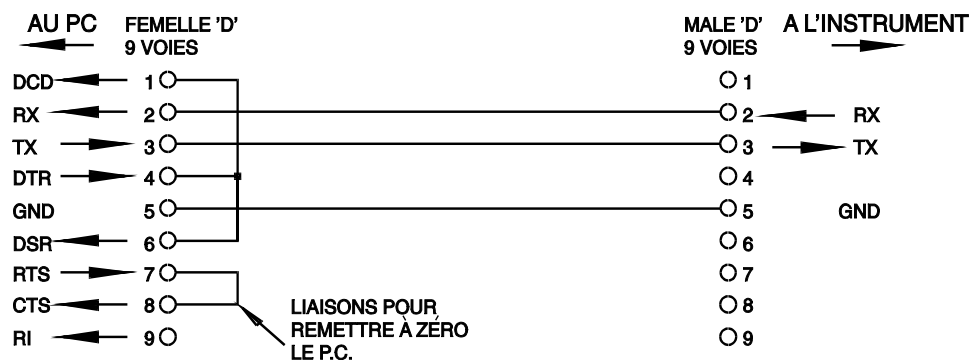
Le format de commande à distance et les commandes à distance elles-mêmes sont détaillées à la section Commandes à distance.

Connecteur RS232

Connecteur D à 9 broches pour contrôle à distance par ordinateur individuel :

Broche	Nom	Description
1	DCD	Reliée aux broches 4 et 6
2	TXD	Données transmises depuis l'instrument
3	RXD	Données reçues par l'instrument
4	DTR	Reliée aux broches 1 et 6
5	GND	Terre
6	DSR	Reliée aux broches 1 et 4
7	RTS	Reliée à la broche 8
8	CTS	Reliée à la broche 7
9	—	Aucune connexion interne

Relier ce connecteur à un PC à l'aide d'un câble dont les broches 2, 3 et 5 sont câblées entre les deux extrémités alors que, côté PC, les broches 1, 4, 6 sont reliées entre elles, de même que 7 à 8, voir schéma. Ces liaisons entre broches existant déjà dans l'instrument, un câble blindé fil par fil peut être utilisé.



Les paramètres d'interface sont déterminés comme suit :

Vitesse en Baud : 9600
Bits de démarrage : 1 Parité : Aucune
Bits de données : 8 Bits d'arrêt : 1

Jeu de caractères RS232

Tous les caractères du code ASCII peuvent être utilisés. Le bit 7 des codes ASCII est ignoré et donc assumé bas. Aucune distinction n'est faite dans la casse (majuscules/minuscules) et les commandes et les lettres peuvent être mélangées sans problème. Les codes de contrôle ASCII entre 00H et 31H sont ignorés, à l'exception de 0AH (Line Feed, LF) qui est utilisé comme fin de commande.

Formats de commande à distance RS232

L'entrée série de l'instrument est séparée dans une file d'attente d'entrée remplie, sous interruption, de manière transparente à toutes les autres opérations de l'instrument. Cette file d'attente contient des données pures (sans analyse syntaxique) qui sont acceptées par l'analyseur, le cas échéant. Les commandes (et interrogations) sont exécutées dans l'ordre, et l'analyseur syntaxique ne démarre pas de nouvelle commande avant qu'une commande ou interrogation précédente ne soit terminée.

Les commandes (et interrogations) doivent être émises de la manière spécifiée dans la liste de commandes, et doivent se terminer par le code de terminaison de commande 0AH (Line Feed LF). Noter que les paramètres sont séparés de l'en-tête de commande par un espace (20H) et les paramètres multiples sont séparés entre eux par une virgule (2CH).

Les réponses aux commandes ou aux interrogations sont émises immédiatement, sans file d'attente de sortie. Le contrôleur doit attendre la réponse à une commande ou à une interrogation avant émission de la commande ou de l'interrogation suivante.

L'instrument répond à chaque commande du contrôleur par OK si la commande a pu être exécutée ou par ERRnn si la commande a été rejetée ; nn est le numéro d'erreur (voir la liste à la fin de cette section). L'instrument répond au contrôleur après chaque interrogation comme spécifié dans la liste des commandes. Dans tous les cas, chaque réponse se termine par les caractères 0DH (Carriage Return (retour à la ligne), CR) suivis de 0AH (Line Feed, LF).

< L'ESPACE BLANC> est défini sous les codes de caractères 00H à 20H inclus. < L'ESPACE BLANC> est ignoré sauf dans les identificateurs de commandes : *C LS, par exemple, est différent de *CLS.

Le bit haut de tous les caractères est ignoré.

Les commandes sont insensibles à la casse (majuscule/minuscule) des caractères.

Liste des commandes

Cette section répertorie toutes les commandes et interrogations utilisées par cet instrument. Les commandes sont répertoriées alphabétiquement par groupes de fonction.

La nomenclature suivante est utilisée :

<rmt>	<RESPONSE MESSAGE TERMINATOR> (TERMINAISON DE MESSAGE DE RÉPONSE), CR suivi de LF
<nrf>	Les nombres sous tous les formats, 12, 12.00, 1.2 e1 ou 120 e-1, par exemple, sont acceptés et reconnus comme étant le numéro 12. Tout numéro, après sa réception, est converti à la précision requise correspondant à l'utilisation, puis arrondi pour obtenir la valeur de la commande.
<nr1>	Nombre sans partie décimale (nombre entier).

Commande de configuration de mesure

BIASOFF	Désactive la polarisation interne.
BIASON	Active la polarisation interne.
FREQ <nr1>	Règle la fréquence comme suit : <1> = 100Hz ou 120Hz selon la fréquence du secteur en service. <2> = 1kHz. <3> = 10kHz.

FUNC <nr1>	Règle la fonction de mesure comme suit : <0> = Auto <1> = R + Q <2> = L + Q <3> = C + D <4> = C + R
HOLDOFF	Désactive le Range Hold (gamme fixe).
HOLDON	Active le Range Hold.
MODE <nr1>	Règle le mode de circuit équivalent comme suit : <1> = mode série. <2> = mode parallèle.
ZEROCON	"Annule" la capacité résiduelle (jusqu'à 100pF) sur les bornes de prise de mesures ; les valeurs mesurées sont soustraites de toutes les mesures C + D ou C + R subséquentes jusqu'à ce que la fonction Zero C soit désactivée. Cette commande ne peut être utilisée que si la fonction capacité a déjà été sélectionnée.
ZEROCOFF	Désactive la fonction Zero C.

Commandes de lecture des mesures

READALL?	<p>Renvoie les valeurs des paramètres majeurs, mineurs et le numéro de casier immédiatement après analyse syntaxique de la commande.</p> <p>La syntaxe de la réponse est <données ASCII><rmt>, où <données ASCII> sont trois valeurs séparées par des virgules.</p> <p>Les valeurs majeures et mineures s'affichent sous forme de chaîne de caractères comme suit : $X=n.nnnnE\pm nn$ où X = R, L, C, Q ou D et n est un nombre décimal. Les unités sont les ohms pour R, les henrys pour L et les farads pour C.</p> <p>Par exemple :</p> <table border="0" style="margin-left: 40px;"> <tr> <td>R=2.0000E+3</td> <td>correspond à 2kΩ</td> </tr> <tr> <td>L=1.5000E-6</td> <td>correspond à 1,5μH</td> </tr> <tr> <td>C=18.000E-12</td> <td>correspond à 18pF</td> </tr> <tr> <td>Q=2.56</td> <td>correspond à Q = 2,56</td> </tr> <tr> <td>D=0.015</td> <td>correspond à D = 0,015</td> </tr> </table> <p>Le numéro de casier s'affiche sous la forme BIN=n, où n est un nombre décimal. Lorsque la fonction de casier est désactivée, le message NOBIN s'affiche.</p> <p>Exemples de réponses complètes :</p> <pre style="margin-left: 40px;">L=1.5000E-6,Q=2.18,NOBIN<rmt> C=186.97E-6,R=0,2015,BIN=2<rmt> R=384.30E-3,Q=0,0004,BIN=1<rmt></pre>	R=2.0000E+3	correspond à 2k Ω	L=1.5000E-6	correspond à 1,5 μ H	C=18.000E-12	correspond à 18pF	Q=2.56	correspond à Q = 2,56	D=0.015	correspond à D = 0,015
R=2.0000E+3	correspond à 2k Ω										
L=1.5000E-6	correspond à 1,5 μ H										
C=18.000E-12	correspond à 18pF										
Q=2.56	correspond à Q = 2,56										
D=0.015	correspond à D = 0,015										
READMAJ?	Renvoie la valeur du seul paramètre majeur, au format décrit ci-dessus pour la commande READALL?										
READMIN?	Renvoie la valeur du seul paramètre mineur, au format décrit ci-dessus pour la commande READALL?										
READBIN?	Renvoie la valeur du seul numéro de casier, au format décrit ci-dessus pour la commande READALL?										

Commandes de casier

BINCLEAR	Efface les valeurs nominales et les limites de tous les casiers ; ceci a pour effet de désactiver la fonction Sort (tri) si toutefois elle était activée.
BINNOM <nr1>,<nrf>	Commande que la valeur nominale du casier <nr1> devienne la valeur <nrf> ; <nr1> peut être 0 à 8 (9 est le casier des échecs généraux). Noter que le casier 8 est toujours le casier du terme mineur (Q, D ou R). La valeur nominale <nrf> est liée à la fonction sélectionnée au moment de la définition du casier ; les casiers définis ultérieurement sont liés à la même fonction. Le fait de sélectionner la fonction Sort force cette fonction sélectionnée. Si aucune valeur nominale n'est fixée pour un casier, la valeur nominale du casier voisin le plus bas est automatiquement utilisée. Le casier au numéro actif le plus bas doit avoir une valeur nominale fixée ; le casier 0 doit toujours être défini pour que la fonction de casier soit activée.
BINNOM? <nr1>	Renvoie la valeur nominale du casier <nr1> sous la forme <nrf><rmt>.
LIMHI <nr1>,<nrf>	Fixe la limite supérieure du casier <nr1> sur <nrf>%. Cette limite supérieure doit être définie avant la limite inférieure.
LIMHI? <nr1>	Renvoie la limite supérieure du casier <nr1>.
LIMLO <nr1>,<nrf>	Fixe la limite inférieure du casier <nr1> sur <nrf>%. La limite inférieure doit être fixée sous la limite supérieure (qui doit avoir été fixée préalablement). Si aucune limite inférieure n'a été fixée, l'instrument utilise la valeur négative de la limite supérieure, et les limites sont symétriques autour de la valeur nominale.
LIMLO? <nr1>	Renvoie la limite inférieure du casier <nr1>. Remarque : les limites peuvent être fixées pour les casiers sans valeur nominale ; la valeur nominale utilisée est celle du casier voisin le plus bas dont la valeur nominale a été définie.
SORTON	Active la fonction de tri (Sort). Le tri force la fonction de mesure associée à la configuration de la mise en casiers de mémoire. La fonction Sort ne peut être activée que si au moins un casier a été défini.
SORTOFF	Désactive la fonction de tri.

Commandes de système

RST	Initialise l'instrument et rétablit les réglages par défaut, à l'exception de tous les réglages d'interface à distance.
RCL<nr1>	Rappelle la configuration de l'instrument de la mémoire <nrf>. Les numéros de mémoire valides sont 0 à 9. Le rappel de la mémoire 0 rétablit tous les paramètres des réglages par défaut, à l'exception des réglages d'interface à distance. Toute tentative de rappel d'une mémoire dont la configuration n'a pas été chargée auparavant entraîne une erreur d'exécution.
SAV<nr1>	Sauvegarde la configuration complète de l'instrument en mémoire <nrf>. Les numéros de mémoire valides sont 1 à 9.

Commande d'état

*LRN?	Renvoie la configuration complète de l'instrument sous forme de blocs de données de caractères hexadécimaux, d'une longueur d'environ 84 octets. Syntaxe de la réponse : LRN <données><rmt>. Pour réinstaller la configuration, renvoyer le bloc exactement de la même manière qu'il a été reçu, y compris l'en-tête LRN au début du bloc, voir ci-dessous. Les réglages de l'instrument ne sont pas affectés par l'exécution de la commande *LRN?.
LRN <données de caractère>	Installe les données d'une commande *LRN? précédente. Noter que l'en-tête LRN dispose du bloc de réponse *LRN?.

Commandes diverses

*IDN?	Renvoie l'identification de l'instrument. La réponse exacte est déterminée par la configuration de l'instrument et se présente sous la forme <NOM>,<model>, 0, <version><rmt> où <NOM> est le nom du constructeur, <model> définit le type d'instrument et <version> le niveau de révision du logiciel installé.
-------	--

Commandes spécifiques d'étalonnage

Se reporter au Manuel d'entretien pour plus d'informations sur les commandes spécifiques d'étalonnage.

Numéros d'erreurs

Après chaque commande, l'instrument répond au contrôleur par 'OK' si cette commande a été exécutée avec succès ou par 'ERRnn' si cette commande n'a pas été acceptée. Les commandes ne seront pas acceptées si la commande est correcte mais si les paramètres sont hors de gamme (par exemple 'FREQ5' renverra 'ERR1') ou si la commande est correcte mais si elle ne peut pas être mise en œuvre (par exemple ZEROCON avec résistance sélectionnée).

Dans le cas des commandes '?', l'erreur est indiquée s'il n'y a rien de défini à renvoyer, par exemple 'ERR8' si aucune limite Hi n'a été définie pour le bac sélectionné. Ni 'OK', ni 'ERRnn' ne sont renvoyés si la commande ne peut pas être reconnue.

Liste de codes d'erreurs

Les commandes associées aux divers numéros d'erreurs sont les suivantes :

N° d'erreur	Commande	N° d'erreur	Commande
1	FREQ <nr1>	10	LIMHI <nr1>,<nrf>
2	FUNC <nr1>	11	LIMLO <nr1>,<nrf>
3	MODE <nr1>	12	SORTON
4	ZEROCON	13	RCL <nr1>
5	ZEROCOFF	14	RST
6	BINNOM <nr1>,<nrf>	15	SAV <nr1>
7	BINNOM? <nr1>	16	*LRN?
8	LIMHI? <nr1>	17	LRN <data>
9	LIMLO? <nr1>	18	READALL?

Erreur 18 est renvoyée en réponse à READALL ? (lire tout?) s'il n'y a pas de mesure valide, par exemple si l'affichage indique un dépassement de gamme.

Les constructeurs ou leurs agents à l'étranger fourniront un service de réparation pour tout appareil qui deviendrait défectueux. Lorsque le propriétaire de l'instrument désire effectuer ses propres travaux de maintenance, cette intervention ne doit être effectuée que par un personnel expérimenté utilisant le manuel d'entretien disponible auprès du constructeur ou de ses agents à l'étranger.

Nettoyage

Si l'instrument requiert d'être nettoyé, utiliser un chiffon légèrement humidifié ou légèrement imbibé d'un détergent doux.

AVERTISSEMENT ! AFIN D'EVITER TOUT CHOC ELECTRIQUE OU D'ENDOMMAGER L'INSTRUMENT, NE JAMAIS LAISSER L'EAU PENETRER A L'INTERIEUR DU BOITIER. POUR EVITER D'ENDOMMAGER LE BOITIER, NE JAMAIS EMPLOYER DE SOLVANTS.

Nettoyage de la surface des connecteurs

Vérifier que les surfaces de contact des connecteurs Kelvin sont exemptes de toute contamination. Les contacts des connecteurs intégrés et des adaptateurs axiaux sont fabriqués en acier inox de haute qualité, mais sont susceptibles de recueillir des particules contaminantes de l'environnement de travail ou des fils des composants testés. Il convient de nettoyer périodiquement les connecteurs en insérant entre eux un morceau de papier raide parfaitement propre et d'opérer un léger mouvement de va-et-vient. Dans les cas extrêmes, il est possible d'imbiber légèrement le papier d'une solution nettoyante.

Dieses Gerät wurde nach der Sicherheitsklasse (Schutzart) I der IEC-Klassifikation und gemäß den europäischen Vorschriften EN61010-1 (Sicherheitsvorschriften für elektrische Mess-, Steue-, Regel- und Laboranlagen) entwickelt. Es handelt sich um ein Gerät der Installationskategorie II, das für den Betrieb von einer normalen einphasigen Versorgung vorgesehen ist.

Das Gerät wurde gemäß den Vorschriften EN61010-1 geprüft und in sicherem Zustand geliefert. Die vorliegende Anleitung enthält vom Benutzer zu beachtende Informationen und Warnungen, die den sicheren Betrieb und den sicheren Zustand des Gerätes gewährleisten.

Dieses Gerät ist für den Betrieb in Innenräumen der Umgebungsklasse 2, für einen Temperaturbereich von +5°C bis +40°C und 20 - 80 % relative Feuchtigkeit (nicht kondensierend) vorgesehen. Gelegentlich kann es Temperaturen zwischen -10°C und +5°C ausgesetzt sein, ohne dass seine Sicherheit dadurch beeinträchtigt wird. Betreiben Sie das Gerät jedoch auf keinen Fall, solange Kondensation vorhanden ist.

Ein Einsatz dieses Gerätes in einer Weise, die für diese Anlage nicht vorgesehen ist, kann die vorgesehene Sicherheit beeinträchtigen. Auf keinen Fall das Gerät außerhalb der angegebenen Nennversorgungsspannungen oder Umgebungsbedingungen betreiben.

WARNUNG! - DIESES GERÄT MUSS GEERDET WERDEN!

Jede Unterbrechung des Netzschutzleiters innerhalb oder außerhalb des Gerätes macht das Gerät gefährlich. Eine absichtliche Unterbrechung ist verboten. Die Schutzwirkung darf durch Verwendung eines Verlängerungskabels ohne Schutzleiter nicht aufgehoben werden.

Ist das Gerät an die elektrische Versorgung angeschlossen, so können die Klemmen unter Spannung stehen, was bedeutet, daß beim Entfernen von Verkleidungs- oder sonstigen Teilen (mit Ausnahme der Teile, zu denen Zugang mit der Hand möglich ist) höchstwahrscheinlich spannungsführende Teile bloßgelegt werden. Vor jeglichem Öffnen des Gerätes zu Nachstell-, Auswechsel-, Wartungs- oder Reparaturzwecken, dieses stets von sämtlichen Spannungsquellen abklemmen.

Jegliche Nachstellung, Wartung und Reparatur am geöffneten, unter Spannung stehenden Gerät, ist nach Möglichkeit zu vermeiden. Falls unvermeidlich, sollten solche Arbeiten nur von qualifiziertem Personal ausgeführt werden, das sich der Gefahren bewusst ist.

Ist das Gerät eindeutig fehlerbehaftet bzw. wurde es mechanisch beschädigt, übermäßiger Feuchtigkeit oder chemischer Korrosion ausgesetzt, so können die Schutzeinrichtungen beeinträchtigt sein, weshalb das Gerät aus dem Verkehr zurückgezogen und zur Überprüfung und Reparatur eingesandt werden sollte.

Sicherstellen, daß nur Sicherungen der vorgeschriebenen Stromstärke und des vorgesehenen Typs als Ersatz verwendet werden. Provisorische "Sicherungen" und der Kurzschluss von Sicherungshaltern ist verboten.

Beim Reinigen darauf achten, dass das Gerät nicht nass wird.

Am Gerät werden folgende Symbole verwendet:



Vorsicht! Bitte beachten Sie die beigefügten Unterlagen. Falsche Bedienung kann Schaden am Gerät verursachen!



Wechselstrom

Netzbetriebsspannung

Die Betriebsspannung des Gerätes ist auf der Rückseite vermerkt. Wenn die Betriebsspannung von 230V auf 115V umgestellt werden muss oder umgekehrt, ist folgendermaßen vorzugehen:

1. Das Gerät von allen Spannungsquellen trennen.
2. Die 6 Schrauben entfernen, mit denen das Oberteil des Gehäuses am Unterteil befestigt ist; dabei auf die Position der Flachkabelverbinder achten.
3. Die 4 Schrauben entfernen, mit denen die Stromversorgungs-Leiterplatte am Unterteil befestigt ist und die Leiterplatte herausheben.
4. Die entsprechenden Null-Ohm-Verbindungen auf der Leiterplatte neben dem Transformator austauschen:

Verbindung LK4 nur für den 230V-Betrieb

Verbindung LK3 und LK5 nur für den 115V-Betrieb

Bitte beachten, dass mit dem Wechsel der Betriebsspannung auch eine Veränderung der Netzfrequenz einhergeht. Eine optimale Gleichtaktunterdrückung bei der Versorgung wird erreicht, wenn die interne 100/120Hz-Wahlmöglichkeit für eine 50Hz-Versorgung auf 100Hz und für eine 60Hz-Versorgung auf 120Hz eingestellt wird. Diese Einstellung erfolgt über den Status der Verbindung LK2, die unmittelbar unter dem Oszillatormodul auf der Hauptplatine angeordnet ist. Wenn kein Kurzschlussbügel an den Stiften angebracht ist, ist die Frequenz auf 100Hz eingestellt; wenn ein Kurzschlussbügel angebracht ist, ist sie auf 120Hz eingestellt. Die werkseitige Einstellung für den 230V-Betrieb ist 100Hz, die für den 115V-Betrieb 120Hz. Wenn LK2 gegenüber der werkseitigen Einstellung verändert wird, muss das Gerät mit der neuen Frequenzeinstellung neu geeicht werden (die Eicheinstellungen für 100Hz und 120Hz können nicht gleichzeitig gehalten werden).

5. Die Leiterplatte wieder in das Unterteil einbauen und sicherstellen, dass alle Anschlüsse (insbesondere die Sicherheitserdung) wieder eingerichtet werden wie zuvor und das Oberteil des Gehäuses wieder anbringen.
6. Zur Einhaltung der Anforderungen der Sicherheitsstandards muss die auf der Rückseite angegebene Betriebsspannung geändert werden, so dass die neue Spannungseinstellung deutlich zu erkennen ist.
7. Die Sicherung wechseln, damit sie zur neuen Betriebsspannung passt (siehe unten).

Sicherung

Die richtige Sicherungsart (Träge) für die gewählte Betriebsspannung einbauen.

Für 230V-Betrieb 125mA (T) 250V HBC verwenden.

Für 115V-Betrieb 250mA (T) 250V HBC verwenden.

Stellen Sie sicher, dass beim Einsetzen neuer Sicherungen nur Sicherungen des angegebenen Typs und mit der erforderlichen Nennspannung verwendet werden. Die Verwendung von Behelfssicherungen und das Kurzschließen der Sicherungsfassungen ist verboten.

Netzanschlussleitung

Schließen Sie das Instrument unter Verwendung des mitgelieferten Netzkabels an die Wechselstromversorgung an. Falls ein Netzstecker für eine unterschiedliche Steckdose erforderlich ist, muss ein geeigneter zugelassener Netzkabelsatz verwendet werden, der mit der erforderlichen Steckdose und einem IEC60320 C13-Stecker für das Instrument versehen ist. Die minimale Nennstromstärke des Kabelsatzes für die beabsichtigte Wechselstromversorgung ist den Nennleistungsangaben auf dem Gerät oder den Spezifikationen zu entnehmen.

VORSICHT! DIESES GERÄT MUSS GEERDET WERDEN

Jegliche Unterbrechung des Netzschutzleiters innerhalb oder außerhalb des Geräts macht das Gerät gefährlich. Eine absichtliche Unterbrechung ist verboten.

Bauteil-Anschlüsse

Die Anschlussleitungen des zu prüfenden Bauteils (engl. Abk.: DUT) werden in die Vierleiter-Kelvin-Klemmen eingeführt, die sich oben auf dem Gerät befinden. Axiale Bauteile können in die mitgelieferten Adapter eingeführt werden, die dann wiederum in die Vierleiter-Kelvin-Klemmen eingeführt werden. Beide Anschlussweisen bieten einen echten Vierpolkontakt zum prüfenden Bauteil, um eine genaue Messung niederohmiger Bauteile zu gewährleisten.

Die Anschlussleitungen radialer Bauteile können direkt zwischen die Federleisten geschoben werden. Für dünne Drähte können die Verbinder auch geöffnet werden, indem man auf die Betätigungselemente der Verbinder drückt.

Die Axial-Adapter werden ebenfalls so kontaktiert. Die position der Adapter passend zur Anschlussleitungs- und Körperlänge des zu prüfenden Bauteils einstellen.

Stellen Sie sicher, dass die Oberflächen der Vierleiter-Kelvin-Klemmen nicht verschmutzt sind. Im Zweifelsfall im Kapitel Reparatur nachsehen.

Bauelemente für Oberflächenmontage

Den Interface-Baustein der optionalen Oberflächenmontage-Klemme in die Vierleiter-Kelvin-Klemmen stecken. An der Klemme besteht eine echte Vierpolverbindung.

Fernanschlüsse

Eine entfernt stehender Prüfling kann über die BNC-Stecker auf dem optionalen Interface-Steckmodul angeschlossen werden, das in die Vierleiter-Kelvin-Klemmen oben auf dem Gerät eingeführt werden kann. Die Stecker sind mit den Bezeichnungen High Drive, High Sense, Low Sense und Low Drive markiert. Die Abschirmungen der Drive-Koaxialkabel sollten am entfernt liegenden Ende miteinander und mit der Abschirmung und dem Gehäuse der externen Vorrichtung verbunden werden. Die Abschirmungen der Sense-Anschlussleitungen sollten voneinander sowie von der Vorrichtungsabschirmung isoliert werden.

Anschlussleitungen mit bis zu 1 Meter Länge stellen in der Regel kein Problem dar, aber die Anschlussleitungen zu einer externen Vorrichtung sollten so kurz wie möglich gehalten und die Genauigkeit der Messungen bei allen Prüffrequenzen und über den Bereich der gemessenen Werte kontrolliert werden, bevor man sich auf sie verlässt.

RS232

9-poliger Steckverbinder (Typ D) für die PC-Fernsteuerung mit folgender Stiftbelegung:

Stift	Bezeichnung	Beschreibung
1	DCD	Mit Stift 4 und 6 verbunden
2	TXD	Vom Gerät übertragene Daten
3	RXD	Vom Gerät empfangene Daten
4	DTR	Mit Stift 1 und 6 verbunden
5	GND	Betriebserde
6	DSR	Mit Stift 1 und 4 verbunden
7	RTS	Mit Stift 8 verbunden
8	CTS	Mit Stift 7 verbunden
9	–	Keine interne Verbindung

Anschluss an einen PC mit einem Kabel, bei dem die Stifte 2, 3 und 5 verdrahtet und die Stifte 1, 4 und 6 und die Stifte 7 und 8 am PC-Ende angeschlossen sind. Alternativ kann ein vollverdrahtetes Eins-zu-eins-Kabel verwendet werden, da die Verbindungen innerhalb des Gerätes hergestellt werden.

In diesem Kapitel wird die Verwendung des Gerätes im Allgemeinen beschrieben. Obwohl die Grundfunktionen im Wesentlichen aus dem Tastenblock ersichtlich sind, empfehlen wir dieses Kapitel sowie das Kapitel Messgrundregeln vollständig zu lesen um den Leistungsumfang und die Genauigkeit dieses Gerätes vollständig auszunutzen.

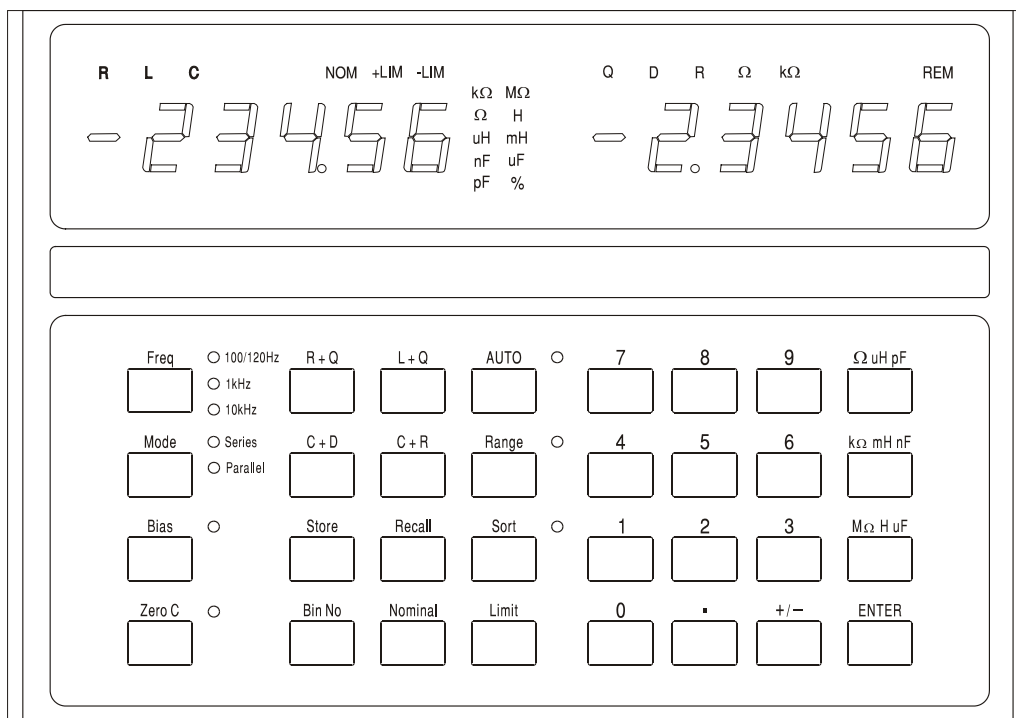
Einschalten

Das Gerät wird mit dem ON/OFF-Schalter an der Rückseite eingeschaltet.

Nach dem Einschalten führt das Gerät einen kurzen Selbsttest durch, zeigt die Software-Version an und wartet dann im Auto-Modus auf ein zu messendes Bauteil. Wenn es eingeschaltet wird, während ein Bauteil angeschlossen ist, erkennt und misst es dieses Bauteil automatisch.

Um das Gerät vollständig von der Netz-Versorgung zu trennen wird der Netzkabelstecker auf der Rückseite des Geräts ausgesteckt oder die Versorgung am Netz-Netzanschluss ausgeschaltet. Stellen Sie sicher, dass die Trennvorrichtung leicht zugänglich ist. Wenn das Gerät nicht in Betrieb ist, sollte es von der Netz-Versorgung getrennt werden.

Anzeige



Im Normalbetrieb wird auf der linken 5-stelligen Anzeige der Wert des Hauptparameters (L, C oder R) und auf der rechten Anzeige der Wert des Nebenparameters (Q, D oder R) angezeigt. Die Art der Messgrößen wird über dem Messwert im Display angezeigt, die Masseinheiten werden rechts vom Wert angezeigt. Ein Anzeigentest, bei dem alle Kontrollleuchten eingeschaltet werden, erfolgt durch Niederhalten einer beliebigen Taste bei eingeschaltetem Gerät.

Die Grund-Messgenauigkeit beträgt 0,1% und für den Impedanzbereich, für den diese Genauigkeit garantiert wird (siehe "Technische Daten") stellt das Gerät automatisch den Bereich ein, in dem eine Anzeigenauflösung zwischen 5000 und 50.000 erreicht wird. Wenn der gemessene Wert außerhalb des Bereiches liegt, in dem - bei der gewählten Messfrequenz - eine Genauigkeit von 0,1% garantiert ist, blinkt die Einheitenanzeige (kΩ, pF, etc.), um darauf aufmerksam zu machen. Wenn die Frequenzanzeige auch blinkt, kann ein Wechsel der Frequenz das gemessene Bauteil wieder in den für 0,1% Genauigkeit spezifizierten Bereich des Geräts bringen. Eine Messung von 680pF bei der vom Gerät vorgegebenen Auto-Frequenz von 1kHz führt zum Beispiel dazu, dass sowohl die Einheitenanzeige (pF) als auch die

Frequenzbereichsleuchte blinkt; eine Veränderung der Frequenz auf 10kHz bringt die gemessenen 680pF in den 0,1% Genauigkeitsbereich des Instruments und beide Leuchten hören auf zu blinken.

Während des Setups und der Verwendung der Zuordnungsfunktion erfüllen die Anzeigen andere Funktionen; diese werden im Kapitel Zuordnung der Bauteile umfassend erklärt.

Messtasten und -anzeigen

Frequenz

Durch Drücken der **Freq** (Frequenz) -Taste wird die Prüffrequenz für die Messung auf 100/120Hz, 1kHz oder 10kHz eingestellt.

Hinweis: Für eine 50Hz-Versorgung beträgt die niedrigste Prüffrequenz gewöhnlich 100Hz, für eine 60Hz-Versorgung gewöhnlich 120Hz, siehe im Kapitel Installation..

Durch Drücken der Taste ändert sich die Frequenz von 100/120Hz auf 1kHz auf 10kHz und wieder auf 100/120Hz. Die Leuchte zeigt an, welche Einstellung gerade benutzt wird. Eine blinkende Leuchte weist darauf hin, dass eine andere Frequenz zu einem genaueren Messergebnis für ein Bauteil dieser Art und mit diesem Wert führen kann.

Mode

Damit wird gewählt, ob Werte aus Reihen- oder Parallel-Ersatzschaltungen angezeigt werden; siehe im Kapitel Messgrundregeln. Eine blinkende Leuchte weist darauf hin, dass für ein Bauteil dieses Typs und mit diesen Werten gewöhnlich der jeweils andere Modus gewählt wird. Wenn Auto (Automatik) gewählt wurde, kann Mode (Modus) erst verändert werden, wenn zuerst L-, C- oder R-Modus gewählt wird.

Bias

Damit werden 2 Volt Gleichstrom an den Prüfanschlüssen angelegt, um Elektrolytkondensatoren entsprechend der auf den Vierleiter-Kelvin-Klemmen angegebenen Polarität zu polarisieren. Bitte beachten Sie, dass das Anlegen einer Vorspannung ("Bias") an Widerständen oder Induktionsspulen zu Messfehlern aufgrund interner Überlastung führen kann. Vorspannungen von bis zu 50V DC können von außen angelegt werden, siehe im Abschnitt "External Bias" im Kapitel "Messgrundregeln".

Zero C

Wenn bei der Messung von Kondensatoren diese Taste gedrückt wird, bevor das zu messende Bauteil eingeführt wird, wird die Kapazitätsanzeige genullt und damit die Kapazität der Prüfvorrichtung eliminiert. Bis zu 100pF Streukapazität können auf diese Weise eliminiert werden. Der Korrektionsfaktor geht verloren, wenn die Brücke ausgeschaltet wird. Zero C kann nur verwendet werden, wenn die Kapazität gemessen wird; wenn eine andere Funktion gewählt ist, erscheint auf der Anzeige 2 Sekunden lang **not C** und der Befehl wird ignoriert.

R+Q, L+Q, C+D, C+R

Damit wird das Gerät so eingestellt, dass der Hauptparameter in der linken Anzeige erscheint und der entsprechende Nebenparameter auf der rechten Seite angezeigt wird.

Auto

Im Auto-Modus ermittelt das Gerät automatisch, ob das zu messende Bauteil ein Widerstand, ein Kondensator oder eine Induktionsspule ist und stellt sich automatisch so ein, dass die Parameter des zu prüfenden Bauteiles angezeigt werden. Bitte beachten, dass 'unvollkommene' Bauteile, z.B. Induktionsspulen mit einem hohen Längswiderstand im Auto-Modus eventuell nicht richtig erkannt werden können und die korrekte Funktion für sie von Hand eingestellt werden muss. Im Auto-Modus kann die Messfrequenz (durch Drücken der Taste **Freq**) verändert werden, aber die Wahlmöglichkeit Series/Parallel-Modus wird in der für diesen Bauteiltyp vorgegebenen Einstellung gehalten; siehe im Kapitel Messgrundregeln. Zum Umschalten von Reihenschaltungs- in Parallelschaltungsmodus oder umgekehrt, ist zuerst der Auto-Modus zu verlassen, indem die entsprechende Funktion gewählt wird (R+Q, L+Q, etc.); der Modus kann dann mit der Taste **Mode** verändert werden.

Range Hold

Der Messbereich wird im verwendeten Bereich fixiert, wenn diese Taste gedrückt wird. Damit wird die automatische Bereichseinstellung ausgeschaltet und die Einstellzeit zwischen Messungen von Bauteilen mit ähnlichen Werten verkürzt.

Bitte beachten, dass die Spannungs- und Strommessungen für die zu messenden Bauteile im Sinne optimaler Genauigkeit und Auflösung jeweils eine individuelle automatische Bereichseinstellung erfolgt; der Prozessor bestimmt dann die Messungengenauigkeit und stellt eine entsprechende Auflösung ein. Mit Range Hold (Bereich beibehalten) werden alle diese Bereiche fixiert. Wenn ein Bauteil mit einem deutlich abweichenden Wert gemessen wird, so dass einer dieser Bereiche verlassen wird, erscheint **or** (außerhalb des Bereichs) in der Anzeige und Range Hold muss ausgeschaltet werden, um eine korrekte Anzeige zu erhalten.

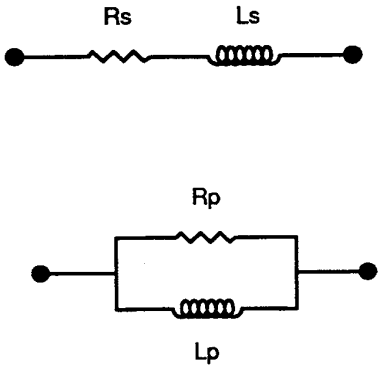
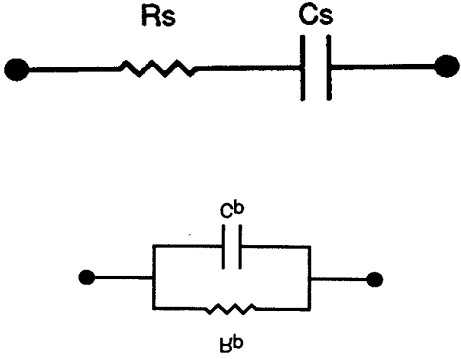
Zuordnungstasten und Speicher-/Aufruftasten

Die für das Setup der Zuordnung in verschiedene 'Töpfe' und für die Speicherung und den Aufruf kompletter Zuordnungs-Setups benutzten Tasten werden im Kapitel Zuordnung der Bauteile beschrieben.

Schaltmodelle

Widerstände, Kondensatoren und Induktionsspulen: alle können bei einer gegebenen Frequenz mit einer einfachen Reihen- oder Parallel-Ersatzschaltung dargestellt werden. Es ist zu beachten, dass dies eine *einfache* Ersatzschaltung ist, die als solche nur über einen begrenzten Frequenzbereich hinweg repräsentativ ist. Auf die Auswirkungen eines breiten Frequenzbereiches wird später eingegangen.

Folgende Modelle werden im LCR400 verwendet:

	
$Z_s = R_s + j\omega L_s$ $Z_p = \frac{j\omega L_p R_p}{R_p + j\omega L_p}$ $Q = \frac{R_p}{\omega L_p} = \frac{\omega L_s}{R_s}$ $L_s = \frac{Q^2}{1+Q^2} L_p \quad R_s = \frac{\omega L_s}{Q} \quad R_p = Q\omega L_p$	$Z_s = R_s - j \frac{1}{\omega C_s}$ $Z_p = \frac{R_p}{1 + j\omega R_p C_p}$ $D = \omega R_s C_s = \frac{1}{\omega R_p C_p} \quad D = \frac{1}{Q}$ <p>(D ist auch als $\tan\delta$ bekannt)</p> $C_s = (1 + D^2) C_p \quad R_s = \frac{D^2}{1 + D^2} R_p$
<p>dabei gilt: $\omega = 2\pi f$</p>	

Widerstände

Alle Widerstände haben Störimpedanzen, sowohl Induktanz als auch Kapazität und Streuwirkungen von beiden. Glücklicherweise sind diese Störeffekte im Normalbetrieb gewöhnlich im Verhältnis zum Widerstand sehr klein.

Das LCR 400 bietet die Möglichkeit, die reihen- und parallelgeschalteten Bauteile von Widerständen bei 100Hz und 1kHz und 10kHz auszuwerten.

Manche Widerstandstypen haben deutlichere Störeffekte als andere. Drahtwiderstände haben, wenn sie nicht speziell gewickelt sind, eine höhere Induktanz als vergleichbare Kohlen- und Metallschichtwiderstände. Selbst Kohleschichtwiderstände haben aufgrund der Induktanz der Anschlussleitungen und des zur Feinabstimmung des Widerstands verwendeten Spiralschnitts eine Induktanz. Zwischen den Abschlusskappen-Anschlüssen gibt es zudem immer eine Kapazität - bei Metallschichtwiderständen beträgt sie gewöhnlich 0,25pF. Das wird in der Regel nur bei hohen Widerständen oder/und hohen Frequenzen relevant. Bifilar gewickelte Widerstände haben wohl geringe Induktanzen, aber die große Nähe der Windungen kann zu bedeutenden Kapazitäten führen - am Widerstand entlang verteilt. Zur Vorherbestimmung der Leistung eines solchen Bauteils bei hohen Frequenzen ist eine komplexere Ersatzschaltung

erforderlich, als die hier besprochenen einfachen Reihen- und Parallelschaltungen mit zwei Bauteilen. In der Praxis wird dieses Problem gelöst, indem Bauteiltypen gewählt werden, die zum Frequenzbereich der Anwendung passen.

Bei der Mehrzahl der Widerstände, bei denen Störinduktanzen und -kapazitäten minimal sind, werden mit Reihen- und Parallelschaltungen identische Werte für den Widerstand ermittelt.

Bei Widerständen, bei denen die Induktanz der wesentliche Störfaktor ist, ergibt die Reihen-Ersatzschaltung den Wert, der den Herstellerangaben entspricht. Bei Geräten Widerständen mit hohen Werten kann die Kapazität an Bedeutung gewinnen und die Parallel-Ersatzschaltung die angemessenere sein.

Normalerweise sollte für Widerstände R+Q gewählt werden; Q ist bei einem Widerstand gewöhnlich sehr klein - insbesondere bei den niedrigen Messfrequenzen, die verwendet werden. Wenn sich allerdings die reihen- und parallelgeschalteten Widerstände bei 10kHz deutlich von jenen bei 100Hz oder 1kHz unterscheiden, ist Q von Bedeutung. Entweder die Induktanz oder die Kapazität erzeugt einen Störeffekt. Durch die Wahl von C+R oder L+Q wird die Störkapazität oder -induktanz bestimmt.

Niederohmige Widerstände können auf jeder der drei Prüffrequenzen des LCR400 gemessen werden, aber hochohmige Widerstände (>100kΩ) werden am besten im 100Hz-Bereich gemessen. Das Gerät zeigt durch das Blinken der Einheitenanzeige an, dass eine Messung außerhalb des Bereiches stattfindet, in dem das genaueste Messergebnis erzielt wird; wenn die Genauigkeit durch eine Veränderung der Messfrequenz verbessert werden kann, blinkt auch die Frequenzanzeige; siehe im Abschnitt "Anzeige".

Kondensatoren

Alle Kondensatoren haben zusätzlich zu ihrer geplanten Kapazität Störinduktanzen und -kapazitäten.

Die Anschlussleitungen eines Kondensators können bei hohen Frequenzen eine beachtenswerte zusätzliche Induktanz erzeugen. Spiralförmig gewickelte Metallschichtkondensatoren können eine bedeutende Störinduktanz haben, weshalb sie nicht zur Entkopplung hoher Frequenzen verwendet werden. Manche keramischen Kondensatortypen bieten hervorragende Entkopplungsmöglichkeiten, d.h. sie haben eine hohe Kapazität bei einem geringen Längswiderstand und geringer Induktanz, können aber sehr verlustbehaftet sein.

Elektrolytkondensatoren mit hoher Kapazität können eine bedeutende Induktanz haben - diese Induktanz kann bei den Messfrequenzen des LCR400 sogar mit der Kapazität in Resonanz sein. Dadurch wird für einen Kondensator mit einer bekanntermaßen hohen Kapazität entweder eine negative Kapazität oder eine negative Induktanz angezeigt.

Kondensatoren haben zwei Hauptarten von Störwiderständen. Erstens gibt es den physikalischen Widerstand des Dielektrikums und Dielektrizitätsverluste; diese werden gewöhnlich als Dissipation Factor 'D' (Verlustfaktor D) oder Verlustziffer angegeben und sind frequenzabhängig. Zweitens gibt es den physikalischen Widerstand der Anschlussleitungen und der Anschlüsse zu den Elektroden auf dem Dielektrikum. Der Widerstand der Anschlussleitungen und der Anschlüsse ist gewöhnlich vernachlässigbar, aber bei Elektrolytkondensatoren mit hoher Kapazität, die zur Glättung der Spannungsversorgung verwendet werden, kann er sehr wichtig sein. Der Längswiderstand solcher Bauteile ist oft eine vom Hersteller angegebene Größe.

Bei den meisten Kondensatoren (außer bei Elektrolytkondensatoren mit hoher Kapazität), ergibt eine Messung mit der Parallel-Ersatzschaltung die Kapazität, die den Herstellerangaben entspricht. Bei verlustarmen Kondensatoren ergeben Messungen mit Reihen- und Parallel-Ersatzschaltungen dieselben Ergebnisse.

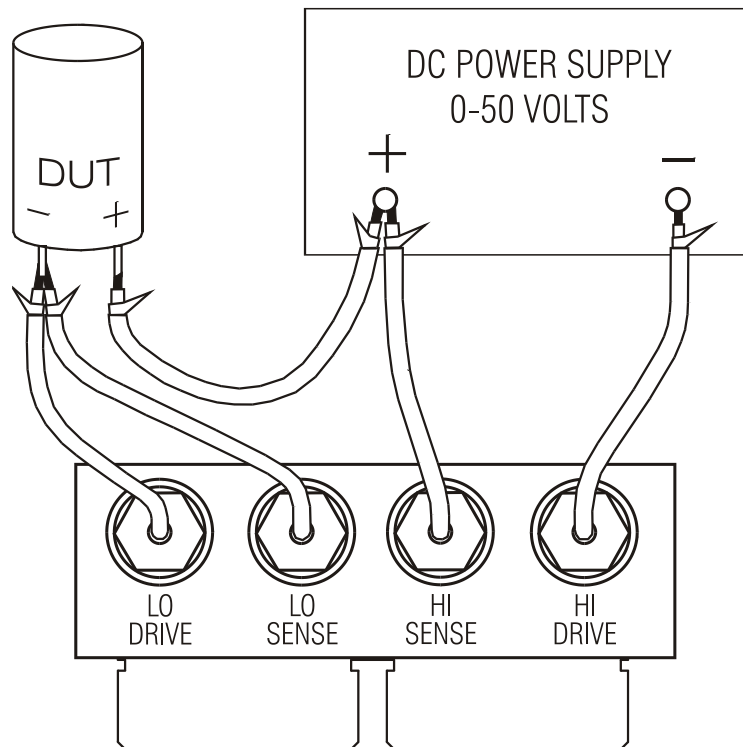
Elektrolytkondensatoren sind polaritätsempfindlich und sollten richtig herum an das Gerät angeschlossen und mit einer Vorspannung versehen werden. Für Elektrolytkondensatoren mit sehr hoher Kapazität, für die der Hersteller Equivalent Series Resistance (ESR) (Ersatzreihenwiderstand) angibt, sollte die Reihen-Ersatzschaltung verwendet werden.

Das LCR 400 bietet die Möglichkeit, die Verluste von Kondensatoren entweder in Bezug auf den Verlustfaktor (C+D) oder in Bezug auf den Reihen- oder Parallel-Ersatzwiderstand (C+R) zu untersuchen.

Um eine größtmögliche Auflösung und Genauigkeit zu erzielen, misst man niedrige Kapazitätswerte ($<4\text{nF}$) auf dem LCR 400 am besten bei 10kHz, und zwar nachdem die Kapazität genullt wurde, ohne dass ein Bauteil angeschlossen war. Höhere Werte ($>10\mu\text{F}$) sollten bei 100Hz gemessen werden. Wenn eine Messung außerhalb des Bereichs stattfindet, in dem die maximale Messgenauigkeit zu erwarten ist, wird dies vom Gerät durch das Blinken der Einheitenanzeige signalisiert; wenn die Genauigkeit durch eine Veränderung der Messfrequenz verbessert werden kann blinkt die Frequenzanzeige ebenfalls; siehe im Kapitel "Anzeige".

Extern angelegte Vorspannung

Die innerhalb des Gerätes verfügbare Vorspannung von 2V DC (siehe im Kapitel "Measurement Keys and Indicators") reicht gewöhnlich für die Polarisierung von Elektrolytkondensatoren aus. Es ist jedoch möglich, von außen eine völlig potentialfreie Spannungsquelle (oder Batterie) anzuschließen, um eine eine Vorspannung von bis zu 50V DC anzulegen.



Die als Gleichspannung von außen angelegte Vorspannung muss wie in der Abbildung an das LCR400 und an das zu prüfende Bauteil angeschlossen werden. Die Anschlüsse "High Drive", "High Sense", "Low Drive" und "Low Sense" am LCR400 erfolgen über den optionalen Interface-Baustein, der in die Vierleiter-Kelvinklemmen eingeführt wird, die sich oben auf dem Gerät befinden.

Die BNC-Stecker auf dem Interface-Baustein sind mit den Signalbezeichnungen gekennzeichnet. Schließen Sie die Spannungsversorgung und das zu prüfende Bauteil mit abgeschirmten Kabeln, zum Beispiel mit Miniatur-Koaxialkabeln an, aber lassen sie die Abschirmungen am fernen Ende unangeschlossen.



ACHTUNG: Beim Anschluss von Kondensatoren immer auf die richtige Polarität achten, andernfalls kann das zu prüfende Bauteil beschädigt und der Bediener verletzt werden.



Kondensatoren nach einer Messung mit einer DC-Vorspannung immer entladen, insbesondere bei hohen Vorspannungen; nicht entladene Kondensatoren können zu Verletzungen des Bedieners und zu einer Beschädigung des LCR400 führen, wenn der aufgeladene Kondensator anschließend direkt an die Kelvinklemmen angeschlossen wird. Das LCR400 ist so ausgelegt, dass es dem direkten Anschluss von Kondensatoren standhält, die auf 50V Gleichspannung aufgeladen sind und über bis zu 1 Joule ($\frac{1}{2} CV^2$) gespeicherte Energie verfügen; es sollte jedoch nicht dazu verwendet werden, regelmäßig solche Kondensatoren zu entladen. Höhere Spannungen oder größere Energiemengen können zu einer Beschädigung des Gerätes führen.

Induktionsspulen

Alle Induktionsspulen haben ohmsche Verluste, Störkapazitäten und ein externes gekoppeltes Magnetfeld. Die ohmschen Verluste sind das Widerstandsäquivalent der Verluste im Kern und des Widerstandes des Leiterdrahtes, aus dem die Windungen der Spule gefertigt sind. Zwischen jeder Windung des Leiters und jeder anderen Windung des Leiters gibt es eine Kapazität. Das Magnetfeld einer Induktionsspule kann sich auch außerhalb der physikalischen Einfassung des Bauteils erstrecken.

Der Widerstand in seiner einfachsten Form kann als ein mit der Induktionsspule in Reihe geschalteter Widerstand dargestellt werden, und die Kapazität als ein parallelgeschalteter Kondensator. Die Eigenkapazität einer Induktionsspule und die Induktanz bei einer gegebenen Frequenz wirken zusammen und ergeben die Nettoinduktanz unterhalb der Resonanzfrequenz oder Kapazität oberhalb der Resonanzfrequenz.

Bei Induktionsspulen mit hoher Induktivität, wie zum Beispiel Transformatoren, die auf 50/60Hz ausgelegt sind, kann die Eigenresonanzfrequenz unterhalb der höheren Prüffrequenzen des LCR 400 liegen. Oberhalb der Eigenresonanzfrequenz erscheinen diese Induktionsspulen als verlustreicher Kondensator. Weil diese Störeffekte gestreut sind, ändern sich die entsprechenden Widerstands- und Kapazitätswerte mit der Frequenz.

Das gestreute Magnetfeld, das normalerweise bei Rinkern, Blechkern- und Topfkernspulen vernachlässigbar ist, kann bei Axialspulen wie HF-Drosseln und Ferritstabantennen von Bedeutung sein. Das heißt, dass die Induktanz eines Gerätes mit einem gestreuten Magnetfeld sich in Abhängigkeit von den Charakteristika eines leitfähigen Werkstoffes oder Magnetwerkstoffes in der Nähe des Bauteils deutlich verändern kann. Ein leitfähiger Werkstoff innerhalb des Felds eines Bauteil enthält induzierte Ströme, die wiederum die scheinbare Induktanz des Bauteils verringern können. Umgekehrt kann ein ferromagnetischer Werkstoff in der unmittelbaren Umgebung des Bauteils die scheinbare Induktanz erhöhen. Im Extremfall kann es scheinen, als ob sich die Induktanz eines Bauteils in Abhängigkeit von seinem Abstand von den Federklemmen und dem Stahlgehäuse des LCR400 verändert.

Induktionsspulen mit geringer Induktivität (<100uH) werden am besten bei 10kHz gemessen, während hohe Induktanzen >25H bei 100Hz gemessen werden sollten. Wenn eine Messung außerhalb des Bereichs stattfindet, in dem die maximale Messgenauigkeit zu erwarten ist, wird dies vom Gerät durch das Blinken der Einheitenanzeige signalisiert; wenn die Genauigkeit durch eine Veränderung der Messfrequenz verbessert werden kann blinkt die Frequenzanzeige ebenfalls; siehe im Kapitel "Anzeige".

Reihen-/Parallelschaltung

Mit dem LCR400 können die Reihen- oder Parallel-Ersatzschaltungs-Parameter von Widerständen, Kondensatoren und Induktionsspulen gemessen werden.

Im Auto-Modus werden von der Brücke folgende Modelle verwendet.

Widerstand	Reihe
Induktionsspule	Reihe
Kondensator <1µF	Parallel
Kondensator >1µF	Reihe

Dadurch werden die Parameter gemessen, die bei den meisten Bauteilen den Werten in den Datenblättern entsprechen.

Zuordnung der Bauteile

Das LCR 400 bietet umfassende Möglichkeiten zur Zuordnung der Bauteile in verschiedene 'Töpfe', abhängig von ihren Werten. Die Parameter für die einzelnen 'Töpfe' können mit dem Tastenblock oder von einem PC aus über die RS232-Schnittstelle definiert werden. Die Topfzuordnungsparameter werden im Geräte-Setup gespeichert; bis zu 9 komplette Einstellungen können gespeichert werden.

Die 'Topfgrenzen' werden als Prozentsätze ober- oder unterhalb der Normalwerte eingestellt und können sich überschneiden oder aufeinanderfolgen (mit demselben Nennwert), oder es können Prozentsätze ober- bzw. unterhalb ganz unterschiedlicher Nennwerte sein; die Töpfe müssen allerdings auf dieselben Parameter beziehen (R, L oder C).

Wenn nur ein 'Topf' eingerichtet wird, werden alle Bauteile, die außerhalb des Bereiches liegen, nicht akzeptiert. Bis zu 8 Töpfe (0-7) können benutzt werden, um die Zuordnung nach dem Hauptparameter vorzunehmen; Topf 8 kann nur benutzt werden, um die Grenzwerte für den Nebenparameter (D, Q oder R) festzulegen und Topf 9 ist immer der allgemeine Topf für nicht akzeptierte Bauteile.

Zuordnungstasten

Die folgenden Tasten beziehen sich auf den Zuordnungsprozess; sie werden in den folgenden Kapiteln noch ausführlicher beschrieben.

Sort (Zuordnen)

Schaltet die Zuordnungsfunktion ein und aus.

Bin No. (Topf Nr.)

Zur Einstellung der Werte von bis zu acht Töpfen.

Nominal (Nennwert)

Zur Einstellung des Nennwerts für einen Topf und des Grenzwertes für Nebenparameter (Topf 8).

Limit (Grenzwert)

Zur Einstellung der Grenzwerte (in Prozenten) für einen Topf.

Numerische Tasten 0-9, • und ±

Zur Eingabe der Topfnummern, Programmspeichernummern, Nennwerte und Prozent-Grenzwerte.

Ω μH pF

Zur Einstellung des entsprechenden Verfielfachers bei der Eingabe der Nennwerte der Bauteile.

kΩ mH nF

Zur Einstellung des entsprechenden Verfielfachers bei der Eingabe der Nennwerte der Bauteile.

MΩ H μF

Zur Einstellung des entsprechenden Verfielfachers bei der Eingabe der Nennwerte der Bauteile.

Enter (Eingabe)

Zur Bestätigung einer numerischen Eingabe (Wert, Topfnummer oder Programmspeichernummer).

Speicher-/Aufruftasten

Die folgenden Tasten werden zur Speicherung und zum Aufruf von Einstellungen benutzt:

Store (Speichern)

Speichert das komplette Setup, einschließlich der eingestellten Zuordnungswerte, in einem nichtflüchtigen Speicher.

Recall (Aufrufen)

Ruft bis zu neun zuvor gespeicherte Setups auf.

Einfache Zuordnung in die Kategorien "akzeptiert"/"nicht akzeptiert"

Um eine einfache Zuordnung in die Kategorien "akzeptiert"/"nicht akzeptiert" einzurichten, zuerst den Messtyp wählen, d.h. R+Q, L+Q, C+D oder C+R. Dann die Messfrequenz einstellen und je nach den Erfordernissen Reihenschaltungs- oder Parallelschaltungsmessung wählen.

Hinweis: Binning kann nicht eingestellt werden, wenn sich die Brücke im Auto-Modus befindet.

Topf-Wahl

Die Taste **Bin No.** drücken, um in den Setup-Modus zu gelangen. Durch mehrmaliges Drücken der Taste **Bin No.** durchläuft die Anzeige die Wahlmöglichkeiten **binX** (wobei **X** die Topfnummer ist), **CLEAR?** (Leeren des gewählten Topfes), **CLEAR ALL?** (Leeren aller Töpfe) und **End?** (Setup-Modus verlassen). Wenn **Bin No.** zum ersten Mal gedrückt wird, wird die Wahlmöglichkeitsabfolge dort begonnen, wo sie zuletzt verlassen wurde; eventuell muss die Taste mehrmals gedrückt werden, um zur gewünschten Wahlmöglichkeit zu gelangen.

Wenn frühere Zuordnungsinformationen für einen Topf gelöscht werden sollen, mit der Taste **Bin No.** **CLEAR?** wählen und **Enter**; drücken; auf der Anzeige sollte die Meldung **CLEAR done** erscheinen und dann **binX** in der rechten Anzeige, bereit für den nächsten Schritt. Wenn alle Töpfe geleert werden sollen, **CLEAR ALL?** wählen und wie oben fortfahren.

Für eine einfache Zuordnung in die Kategorien "akzeptiert"/"nicht akzeptiert" muss Topf 0 benutzt werden. Die anderen Töpfe (1 bis 7 einschließlich) sollten 'geschlossen' werden, indem Ihre Grenzwerte auf Null gesetzt werden; alternativ (und einfacher) können alle Töpfe mit der Funktion **CLEAR ALL?** geleert werden, bevor Topf 0 eingestellt wird. Topf 8 kann zur Einstellung der Grenzwerte für den Nebenparameter (Q, D, oder R) benutzt werden; Bauteile, die diese Grenzwerte nicht einhalten, werden in Topf 8 platziert. Bauteile, die weder in Topf 0 noch in Topf 8 passen, kommen in Topf 9, den allgemeinen Topf für nicht akzeptierte Bauteile.

Bin No. drücken bis in der Anzeige **binX** erscheint. **0** drücken, um Topf 0 zu wählen; **bin0** sollte nun in der rechten Anzeige erscheinen.

Nennwert-Einstellung

Wenn **bin0** angezeigt wird, die Taste **Nominal** drücken; in der linken Anzeige erscheinen jetzt sechs Striche und darüber **NOM** .

Den gewünschten Nennwert eingeben, gefolgt von der entsprechenden Einheitentaste (**k Ω** , **μ F**, etc.). **Enter** drücken, um den Wert zu speichern; in der linken Anzeige erscheint jetzt der eingegebene Wert.

Verändert wird ein eingegebener Wert, indem einfach ein neuer Wert eingegeben und nochmals **Enter** gedrückt wird.

Grenzwert-Einstellung

Wenn **bin0** angezeigt wird, die Taste **Limit** drücken; in der linken Anzeige erscheinen jetzt sechs Striche und darüber **+LIM** . Die Einheitenanzeige wechselt auf **%**.

Den oberen Grenzwert der Abweichung vom Nennwert, die für ein Bauteil erlaubt ist, als Prozentsatz eingeben und **Enter** drücken. Bitte beachten, dass der kleinste Wert, der eingegeben werden kann, 0,1% beträgt und die Auflösung ebenfalls 0,1%. In der linken Anzeige erscheint wieder der eingegebene Wert. Verändert wird ein eingegebener Wert, indem einfach ein neuer Wert eingegeben und nochmals **Enter** gedrückt wird.

Die Taste **Limit** nochmals drücken; in der linken Anzeige erscheinen jetzt sechs Striche, darüber allerdings **-LIM** . Den unteren Grenzwert der Abweichung vom Nennwert, die für ein Bauteil erlaubt ist, als Prozentsatz eingeben und **Enter** drücken. Bitte beachten, dass für einen Grenzwert unter dem Nennwert die Eingabe eines Minuswerts mit Hilfe der Taste **\pm** erforderlich

ist. Beachten Sie auch, dass die Grenzwerte nicht symmetrisch sein müssen; sie können sogar beide oberhalb oder beide unterhalb des Nennwerts liegen. Wenn kein **-LIM** Grenzwert eingegeben wird, geht das Gerät davon aus, dass die Grenzwerte symmetrisch um den Nennwert herum liegen, d.h. wenn der obere Grenzwert auf +0.5% eingestellt wurde, geht der untere Grenzwert automatisch auf -0.5%.

Der untere Grenzwert (**-LIM**) kann oberhalb des oberen Grenzwerts (**+LIM**) eingestellt werden, aber beim Verlassen des Setup-Modus und wenn Sort gewählt wird erscheint die Fehlermeldung **Err bin0**.

Nebenparameter-Grenzwerte

Zur Einstellung der Nebenparameter-Grenzwerte (Q, D oder R) Topf 8 wählen; dazu wird die Taste **Bin No.** so oft gedrückt, bis **binX** erscheint; dann **8** eingeben. **bin8** erscheint jetzt in der linken Hälfte der Anzeige.

Nominal drücken, um den Grenzwert einzugeben; die Nebenparameteranzeige (Q, D oder R) erscheint in der rechten Hälfte der Anzeige und der Grenzwert sollte nun mit Hilfe des Tastenblocks eingegeben werden. **Enter** (Eingabe) drücken, um den Grenzwert zu bestätigen.

Bauteile, die außerhalb des Nebenparameter-Grenzwertes von Topf 8 liegen, werden immer in Topf 8 platziert, unabhängig davon, ob der Hauptparameter die Grenzwerte von Topf 0 einhält. Die Verwendung von Topf 8 ist optional; die Einstellung eines Grenzwertes ist nicht erforderlich, und wenn der Grenzwert 'geschlossen' (im vorgegebenen Zustand, der durch Striche angezeigt wird) gelassen wird, wird Topf 8 ignoriert.

Topf "nicht akzeptiert"

Bauteile, die weder in Topf 0 noch in Topf 8 passen, werden Topf 9 zugeordnet, dem allgemeinen Topf für nicht akzeptierte Bauteile.

Zuordnen

Nach der Einstellung von Topf 1 **Bin No.** drücken, bis in der Anzeige **End?** erscheint und dann **Enter** drücken, um den Setup-Modus zu verlassen.

Sort (Zuordnen) drücken, um die Zuordnungseinrichtung einzuschalten. Bauteile, die innerhalb der prozentualen Grenzwerte des Hauptparameters liegen, werden in der Anzeige mit **PASS bin0** gekennzeichnet; Bauteile, die die Grenzwerte des Nebenparameters von Topf 8 nicht erfüllen (falls Topf 8 eingerichtet ist), werden als **FAIL bin8** angezeigt; Bauteile, die weder in Topf 0 noch in Topf 8 passen, werden als **FAIL bin9** angezeigt.

Speicherung der Zuordnungs-Setups

Zur Speicherung eines Sort-Setups die Taste **Store** (Speichern) drücken; in der Anzeige erscheint **store?**. Eine der Tasten **1** bis **9** drücken, anschließend **Enter**; nach wenigen Sekunden erscheint in der rechten Anzeige **done**, womit angezeigt wird, dass das Setup gespeichert wurde. Gespeichert werden die Nenn- und Grenzwerte der Zuordnung, zusammen mit Function(Funktion), Frequency, Mode, etc., die für das Sort Setup verwendet wurden.

Zum Aufrufen eines Sort-Setups **Recall** (Aufrufen), die Speichernummer (**1** bis **9**), und **Enter** drücken. In der Anzeige erscheint **rc1 done**, wenn das Setup aus dem nichtflüchtigen Speicher heruntergeladen worden ist.

Bitte beachten, dass Speicher 0 die vom Hersteller vorgegebenen Default-Einstellungen enthält; diese Einstellungen können heruntergeladen werden, indem Sie **Recall, 0, Enter** drücken. Speicher 0 kann nicht durch Drücken von **Store, 0, Enter** überschrieben werden und kann daher nicht zur Speicherung von Zuordnungsinformationen benutzt werden.

Zuordnung in mehrere 'Töpfe'

Das LCR400 unterstützt zwei verschiedene Systeme für die Zuordnung in mehrere Töpfe: überlappend und aufeinanderfolgend.

Überlappende (oder verschachtelte) Töpfe haben einen Nennwert und zunehmend größere symmetrische Grenzwerte. Aufeinanderfolgende Töpfe können ebenfalls denselben Nennwert haben, aber mit asymmetrischen Grenzwerten (z.B. -5% bis -2%, -2% bis +2%, +2% bis 5%), oder sie können unterschiedliche Nennwerte haben, die jeweils ihre eigenen Prozent-Grenzwerte haben.

Wie bei der einfachen Zuordnung in die Kategorien "akzeptiert"/"nicht akzeptiert" ist Topf 8 für diejenigen Bauteile, bei denen der entsprechende Nebenparameter außerhalb der Grenzwerte liegt und Topf 9 ist der allgemeine Topf für nicht akzeptierte Bauteile.

Systeme zur Zuordnung in mehrere Töpfe können recht kompliziert sein; deshalb empfiehlt es sich, das Zuordnungs-Setup vor Beginn der Programmierung aufzuschreiben und das Setup zu speichern, wenn die Programmierung abgeschlossen ist.

Überlappende Zuordnung

Die überlappende Zuordnung wird verwendet, wenn die Bauteile gemäß ihrer Abweichung von einem Nennwert geordnet werden sollen, wenn zum Beispiel ein bestimmter Widerstandswert in Gruppen mit $\pm 0.1\%$, $\pm 0.5\%$ und $\pm 1\%$ aufgeteilt werden soll.

Zur Einrichtung dieser Zuordnungsart zuerst den Messtyp wählen, z.B. R + Q; dann die Messfrequenz einstellen und je nach den Erfordernissen Reihenschaltungs- oder Parallelschaltungsmessung wählen.

Topf 0 wählen und den Nennwert und die engste Toleranz einstellen, die gewählt werden soll (d.h. in unserem Beispielfall 0,1%); dazu die Tasten **Nominal** und **Limit** verwenden, genau wie dies für die einfache Zuordnung in die Kategorien "akzeptiert"/"nicht akzeptiert" beschrieben wurde. Bitte beachten, dass - wenn **-LIM** 'geschlossen' ist (Striche in der Anzeige) - nur **+LIM** auf 0,1% gesetzt werden muss, da die Grenzwerte symmetrisch sind; der untere Grenzwert beträgt dann automatisch -0,1%.

Als nächstes Topf 1 wählen wie bei Topf 0 und seine Grenzwerte auf die nächsthöhere Toleranz einstellen (d.h. in unserem Beispiel 0,5%). Wie auch bei Topf 1 muss nur **+LIM** auf 0,5% eingestellt werden; **-LIM** wird automatisch auf -0,5% eingestellt, wenn kein Grenzwert eingestellt ist. Bitte auch beachten, dass für Topf 1 (und alle weiteren Töpfe, für die derselbe Nennwert verwendet wird) kein Nennwert eingestellt werden muss; wenn der Nennwert 'geschlossen' bleibt (d.h. Striche in der Anzeige erscheinen), wird automatisch der Nennwert des nächstunteren Topfes (in diesem Fall Topf 0) verwendet. Bitte beachten, dass wenn Topf 0 nicht einen Nennwert und Grenzwerte hat, die Wahl von Sort zur Anzeige der Fehlermeldung **Err bin0** führt.

Den Grenzwert **+LIM** für Topf 2 auf 1% setzen, um das angegebene Beispiel zu vervollständigen.

Falls nötig den Nebenparameterwert (Q bei R + Q-Messungen) für Topf 8 einstellen; wenn der Grenzwert 'geschlossen' ist (Striche in der Anzeige erscheinen), wird Topf 8 ignoriert.

Bauteile, die die Kriterien für mehr als einen Topf erfüllen, werden dem Topf mit der niedrigeren Nummer zugewiesen. Daher sollten die engsten Toleranzen wie im Beispiel den untersten Topfnummern zugewiesen werden.

Unbenutzte Töpfe sollten mit Hilfe der "Clear bin"-Funktion 'geschlossen' werden (angezeigt durch Striche).

Bauteile, die weder in einen der Töpfe für akzeptierte Bauteile oder in Topf 8 passen, werden Topf 9, dem allgemeinen Topf für nicht akzeptierte Bauteile, zugewiesen.

Aufeinanderfolgende Zuordnung

Eine aufeinanderfolgende Zuordnung mit demselben Nennwert wird im Wesentlichen gleich eingestellt wie die überlappende Zuordnung, wobei nur für Topf 0 ein Nennwert definiert wird. Allerdings muss für jeden Topf ein oberer (**+LIM**) und ein unterer (**-LIM**) Grenzwert definiert werden. Um zum Beispiel einen bestimmten Widerstand in die Bänder -2% bis -1% , $\pm 1\%$, und $+1\%$ bis $+2\%$ einzuordnen, wird **NOM** von Topf 0 auf den Nennwert des Widerstands, **+LIM** auf -1% und **-LIM** auf -2% eingestellt; Topf 1 hat keinen Nennwert **NOM** und sein **+LIM** wird auf $+1\%$, sein **-LIM** auf -1% eingestellt; Topf 2 hat auch keinen Nennwert **NOM**, sein **+LIM** wird auf $+2\%$ und sein **-LIM** auf $+1\%$ eingestellt.

Eine aufeinanderfolgende Zuordnung mit verschiedenen Nennwerten kann wiederum im Wesentlichen auf dieselbe Weise eingestellt werden, aber diesmal wird **NOM** für jeden Topf auf den entsprechenden Nennwert eingestellt. Wenn die den einzelnen Nennwerten zugehörigen Grenzwerte symmetrisch sind, muss nur **+LIM** eingestellt werden, aber wenn sie asymmetrisch sind, muss auch **-LIM** eingestellt werden.

Bei beiden Systemen kann Topf 8 bei Bedarf auf den Grenzwert für den Nebenparameter eingestellt werden, genauso wie oben beschrieben.

Bauteile, die nicht in einen der Töpfe für akzeptiert Bauteile oder in Topf 8 passen - auch Teile, die in die Lücken zwischen den Grenzwerten der aufeinanderfolgenden Töpfe fallen - werden Topf 9, dem allgemeinen Topf für nicht akzeptierte Bauteile, zugewiesen.

Speichern und Aufrufen der Zuordnungs-Setups

Setups für die Zuordnung in mehrere Töpfe werden genauso im nichtflüchtigen Speicher gespeichert und wieder aufgerufen, wie dies für die einfache Zuordnung in die Kategorien "akzeptiert"/"nicht akzeptiert" beschrieben wurde.

Allgemeines

Das Gerät kann über seine RS232-Schnittstelle ferngesteuert werden.

Beim Einschalten befindet sich das Gerät im Direktbedienungs-Status und die Kontrollleuchte REMote (Fernsteuerung) leuchtet nicht. Bei Empfang einer Anweisung schaltet es auf Fernsteuerung um und die REMote-Anzeige wird eingeschaltet. Der Tastenblock wird nicht gesperrt und das Instrument kann durch Drücken einer beliebigen Taste in den Direktbedienungs-Status zurückgeholt werden; dieser Status bleibt allerdings nur so lange erhalten, bis das Gerät ein weiteres Zeichen von der Schnittstelle erhält, woraufhin wieder der Fernsteuerungs-Status eingenommen wird.

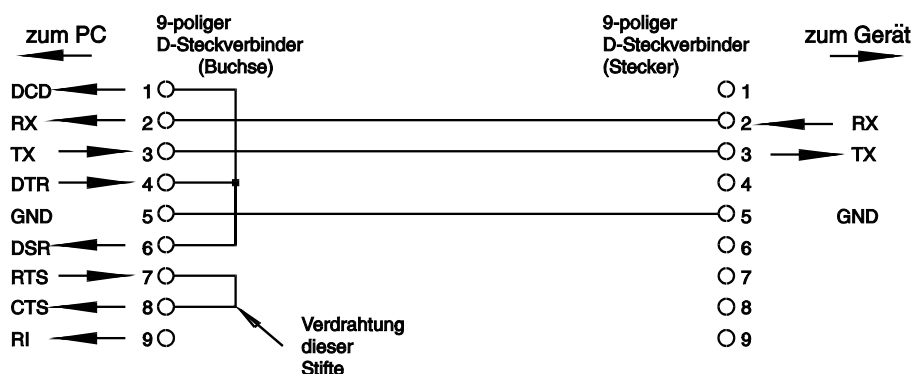
Das Format der Fernsteuerungsbefehle sowie die Fernsteuerungsbefehle selbst werden im Kapitel Fernanweisungen beschrieben.

RS232-Steckverbinder

Der 9-polige Steckverbinder (Typ D) befindet sich an der Geräterückwand. Stiftbelegung:

Stift	Bezeichnung	Beschreibung
1	DCD	Mit Stift 4 und 6 verbunden
2	TXD	Vom Gerät übertragene Daten
3	RXD	Vom Gerät empfangene Daten
4	DTR	Mit Stift 1 und 6 verbunden
5	GND	Betriebserde
6	DSR	Mit Stift 1 und 4 verbunden
7	RTS	Mit Stift 8 verbunden
8	CTS	Mit Stift 7 verbunden
9	-	Keine interne Verbindung

anschluss an einen PC mit einem Kabel, bei dem die Stifte 2, 3 und 5 verdrahtet und die Stifte 1, 4 und 6 und die Stifte 7 und 8 am PC-Ende angeschlossen sind. Alternativ kann ein vollverdrahtetes Eins-zu-eins-Kabel verwendet werden, da die Verbindungen auch im Gerät hergestellt sind.



Folgende Schnittstellenparameter sind eingestellt:

Baudrate:	9600
Startbits: 1	Parität: Keine
Datenbits: 8	Stoppsbits: 1

RS232-Zeichensatz

Es kann jeder ASCII-Code verwendet werden. Bit 7 der ASCII-Codes wird ignoriert, d.h. als 0 angenommen. Bei der Befehls-Mnemonic wird nicht zwischen Groß- und Kleinbuchstaben unterschieden und können beliebig gemischt werden. Die ASCII-SteuerCodes zwischen 00H und

31H werden ignoriert, außer 0AH (Zeilenvorschub, LF), der als Befehlsendezeichen verwendet wird.

RS232 Format der Fernsteuerungsbefehle

Serielle Eingaben in das Gerät werden in einer Input-Warteschlange zwischengespeichert, die - mit Unterbrechungen - gefüllt wird, auf eine Art und Weise, die für alle anderen Gerätefunktionen transparent ist. Diese Warteschlange enthält rohe (nicht syntaktisch analysierte) Befehlsdaten, die vom Syntaxanalysierer nach Bedarf aufgenommen werden. Befehle (und Anfragen) werden nacheinander ausgeführt und der Syntaxanalysierer beginnt erst mit einem neuen Befehl, wenn der vorhergehende Befehl oder die vorhergehende Anfrage beendet ist.

Befehle (und Anfragen) müssen wie in der Befehlsliste angegeben gesendet und mit dem Befehlsende-Code 0AH (Line Feed (Zeilenvorschub), LF) abgeschlossen werden.

Bitte beachten, dass die Parameter mit einem Leerzeichen (20H) vom Befehlskopf und mehrere Parameter mit Kommas (2CH) voneinander zu trennen sind.

Reaktionen auf Befehle oder Anfragen werden umgehend gesendet, eine Output-Warteschlange gibt es nicht. Der Computer muss auf die Antwort auf einen Befehl oder eine Anfrage warten, bevor der nächste Befehl oder die nächste Anfrage gesendet wird.

Das Gerät reagiert gegenüber dem Computer nach jedem Befehl entweder mit "OK", wenn der Befehl erfolgreich ausgeführt wurde, oder mit "ERRnn", wenn der Befehl nicht akzeptiert wurde; nn ist die Fehlernummer; eine Liste mit Fehlernummern befindet sich am Ende dieses Kapitels. Das Gerät reagiert dem Computer gegenüber auf jede Anfrage wie in der Befehlsliste angegeben. Immer wird die Antwort mit 0DH (Carriage Return (Wagenrücklauf), CR), gefolgt von 0AH (Line Feed, LF) abgeschlossen.

<WHITE SPACE> ist definiert als die Zeichencodes 00H bis 20H einschließlich. <WHITE SPACE> wird ignoriert, außer er befindet sich in Befehlsfeldnamen, z.B. ist '*C LS' nicht gleichbedeutend mit '*CLS'.

Das obere Bit aller Zeichen wird ignoriert.

Bei den Befehlen werden Groß- und Kleinbuchstaben unterschieden.

Befehlsliste

In diesem Abschnitt werden alle Befehle und Anfragen aufgeführt, die von diesem Gerät realisiert werden. Die Befehle sind innerhalb der Funktionsgruppen alphabetisch angeordnet.

Folgende Nomenklatur wird verwendet:

<rmt>	<RESPONSE MESSAGE TERMINATOR> (Antwortenzeichen), CR gefolgt von LF
<nrf>	Eine Nummer in beliebigem Format, z.B. werden 12, 12·00, 1·2 e1 und 120 e-1 alle als Nummer 12 akzeptiert. Eine Nummer wird beim Empfang in die für die Anwendung erforderliche Präzisionskonstante umgewandelt, und dann aufgerundet, um den Wert des Befehls zu erhalten.
<nr1>	Eine Nummer ohne Kommastellen, d.h. eine ganze Zahl.

Messungs-Setup-Befehle

BIASOFF	Schaltet die interne Vorspannung aus.
BIASON	Schaltet die interne Vorspannung ein.
FREQ <nr1>	Stellt die Frequenz wie folgt ein: <1> stellt 100Hz oder 120Hz ein, je nach der internen Hardwareverbindung. <2> stellt 1kHz ein. <3> stellt 10kHz ein.

FUNC <nr1>	Stellt die Messfunktion wie folgt ein: <0> stellt Auto ein <1> stellt R + Q ein <2> stellt L + Q ein <3> stellt C + D ein <4> stellt C + R ein
HOLDOFF	Schaltet Range Hold aus.
HOLDON	Schaltet Range Hold ein.
MODE <nr1>	Stellt den Ersatzschaltungsmodus wie folgt ein: <1> stellt den Reihenschaltungsmodus ein. <2> stellt den Parallelschaltungsmodus ein.
ZEROCON	'Nullt' Restkapazitäten (bis zu 100pF) an den Messanschlüssen; der gemessene Wert wird von allen nachfolgenden C + D oder C + R Messungen abgezogen, bis Zero C ausgeschaltet wird. Kann nur bei bereits gewählter Kapazitätsfunktion verwendet werden.
ZEROCOFF	Schaltet die Funktion Zero C aus.

Messungs-Lese-Befehle

READALL?	<p>Damit wird erreicht, dass die Werte des Hauptparameters und des Nebenparameters sowie die Topfnummer unmittelbar nachdem der Befehl geparkt wurde gesendet werden.</p> <p>Die Syntax der Antwort ist <ASCII data><rmt>, wobei <ASCII data> aus drei durch Kommas getrennten Werten besteht.</p> <p>Die Haupt- und Nebenparameterwerte werden als Zeichenfolge in der Form $X=n.nnnnE\pm nn$ gesendet, wobei $X = R, L, C, Q$ oder D ist und n eine Dezimalzahl ist. Die Einheiten sind Ohm für R, Henrys für L und Farads für C.</p> <p>Beispiel:</p> <table border="0"> <tr> <td>R=2.0000E+3</td> <td>ist 2kΩ</td> </tr> <tr> <td>L=1.5000E-6</td> <td>ist 1,5μH</td> </tr> <tr> <td>C=18.000E-12</td> <td>ist 18pF</td> </tr> <tr> <td>Q=2.56</td> <td>ist Q = 2,56</td> </tr> <tr> <td>D=0.015</td> <td>ist D = 0,015</td> </tr> </table> <p>Die Topfnummer wird in der Form BIN=n gesendet, wobei n eine Dezimalzahl ist. Wenn die Zuordnungsfunktion nicht eingeschaltet ist, wird NOBIN gesendet.</p> <p>Antwortbeispiele:</p> <pre>L=1.5000E-6,Q=2.18,NOBIN<rmt> C=186.97E-6,R=0.2015,BIN=2<rmt> R=384.30E-3,Q=0.0004,BIN=1<rmt></pre>	R=2.0000E+3	ist 2k Ω	L=1.5000E-6	ist 1,5 μ H	C=18.000E-12	ist 18pF	Q=2.56	ist Q = 2,56	D=0.015	ist D = 0,015
R=2.0000E+3	ist 2k Ω										
L=1.5000E-6	ist 1,5 μ H										
C=18.000E-12	ist 18pF										
Q=2.56	ist Q = 2,56										
D=0.015	ist D = 0,015										
READMAJ?	Erfragt nur den Hauptparameterwert, und zwar im oben unter READALL? beschriebenen Format.										
READMIN?	Erfragt nur den Nebenparameterwert, und zwar im oben unter READALL? beschriebenen Format.										
READBIN?	Erfragt nur den Topfnummerwert, und zwar im oben unter READALL? beschriebenen Format.										

Zuordnungsbefehle

BINCLEAR	Löscht die Nenn- und Grenzwerte aller Töpfe; damit wird auch Sort ausgeschaltet, falls es gewählt ist.
BINNOM <nr1>,<nrf>	<p>Der Nennwert von Topf <nr1> wird auf den Wert <nrf> gesetzt; <nr1> kann 0 bis 8 sein (9 ist der allgemeine Topf für nicht akzeptierte Bauteile). Bitte beachten, dass Topf 8 immer der Topf für Nebenparameterwerte ist (Q, D oder R).</p> <p>Der Nennwert <nrf> bezieht sich auf die Funktion, die gewählt war, als der erste Topf definiert wurde; weitere definierte Töpfe beziehen sich auf dieselbe Funktion. Die Wahl von Sort erzwingt diese gewählte Funktion.</p> <p>Wenn für einen Topf kein Nennwert eingestellt wurde, wird automatisch der Nennwert für den nächstunteren Topf benutzt. Für den aktiven Topf mit der untersten Nummer muss ein Nennwert eingestellt werden; Topf 0 muss immer eingestellt sein, damit die Zuordnungsfunktion eingeschaltet werden kann.</p>
BINNOM? <nr1>	Erfragt den Nennwert von Topf 1 <nr1> im Format <nrf><rmt>.
LIMHI <nr1>,<nrf>	Stellt den oberen Grenzwert von Topf <nr1> auf <nrf>% ein. Der obere Grenzwert muss vor dem unteren Grenzwert eingestellt werden.
LIMHI? <nr1>	Erfragt den oberen Grenzwert von Topf <nr1> .
LIMLO <nr1>,<nrf>	Stellt den unteren Grenzwert von Topf <nr1> auf <nrf>% ein. Der untere Grenzwert muss unterhalb des oberen Grenzwerts liegen (der als erstes eingestellt werden muss). Wenn kein unterer Grenzwert eingestellt wird benutzt das Gerät den Negativwert des oberen Grenzwert, d.h. die Grenzwerte sind dann symmetrisch um den Nennwert herum angeordnet.
LIMLO? <nr1>	<p>Erfragt den unteren Grenzwert von Topf <nr1>.</p> <p>Hinweis: Grenzwerte können für Töpfe ohne Nennwerte eingestellt werden; als Nennwert wird dann der des nächstunteren Topfs verwendet, für den ein Nennwert eingestellt ist.</p>
SORTON	Schaltet die Zuordnungsfunktion (sort) ein. Dadurch wird zwangsweise die Messfunktion eingeschaltet, die zum Zuordnungs-Setup gehört. Sort kann nur eingeschaltet werden, wenn mindestens ein Topf definiert wurde.
SORTOFF	Schaltet die Zuordnungsfunktion (sort) aus.

Systembefehle

RST	Damit wird das Gerät auf die beim Neustart vorgegebenen Default-Einstellungen rückgesetzt.
RCL<nr1>	Ruft das Geräte-Setup auf, das in Speicher Nummer <nr1> enthalten ist. Gültige Nummern sind 0 - 9. Wenn Speicher 0 aufgerufen wird, werden alle Parameter auf die beim Neustart vorgegebenen Default-Einstellungen zurückgesetzt. Der Versuch, Daten von einem Speicher aufzurufen, der nicht zuvor mit Daten geladen wurde, verursacht eine Fehlermeldung.
SAV<nr1>	Damit wird das gesamte Geräte-Setup im Speicher Nummer <nr1> gespeichert. Gültige Speichernummern sind 1 - 9.

Statusbefehle

*LRN?	Erfragt das gesamte Setup des Geräts als Datenblock mit hexadezimalen Zeichen. Die Syntax der Antwort ist LRN <data><rmt>. Zur Neuinstallation des Setups wird der Datenblock genau wie er empfangen wurde zurückgeschickt, einschließlich LRN-Kopf zu Beginn des Blocks (siehe unten). Die Einstellungen des Gerätes werden von der Durchführung des Befehls *LRN? nicht beeinflusst.
LRN <character data>	Installiert die über einen vorhergehenden *LRN?-Befehl erhaltenen Daten. Bitte beachten, dass der Kopf LRN schon im *LRN?-Antwortblock enthalten ist.

Sonstige Befehle

*IDN?	Erfragt die Gerätekenzeichnung. Die genaue Antwort hängt von der Konfiguration des Geräts ab und erfolgt in der Form <NAME>,<model>, 0, <version><rmt>, wobei <NAME> der Herstellername ist, <model> den Gerätetyp beschreibt und <version> das Überarbeitungs-niveau der installierten Software beschreibt.
-------	--

Eichspezifische Befehle

Eichspezifische Befehle bitte im Service Manual (Wartungshandbuch) nachschlagen.

Fehlernummern

Das Gerät reagiert nach jedem Befehl mit 'OK', wenn der Befehl erfolgreich ausgeführt wurde, bzw. mit 'ERRnn', wenn der Befehl nicht akzeptiert worden ist. Befehle werden dann nicht akzeptiert, wenn der Befehl zwar korrekt ist, die Parameter aber außerhalb des gültigen Bereichs liegen (z. B. erscheint bei 'FREQ 5' die Fehlermeldung 'ERR1') oder wenn der Befehl korrekt ist, aber nicht ausgeführt werden kann (z. B. ZEROCON, wenn die Widerstandsfunktion gewählt ist). Bei Befehlen mit '?' erscheint die Fehlermeldung wenn keine entsprechenden Grenzwerte eingerichtet wurden (z. B. 'ERR8' wenn keine oberen Grenzwerte für den gewählten Topf eingerichtet wurden). Wenn der Befehl nicht erkannt werden kann, erfolgt weder 'OK' noch 'ERRnn' als Rückmeldung.

Fehlercode-Liste

Die verschiedenen Fehlernummern entsprechen folgenden Befehlen:

Fehlernr.	Befehl	Fehlernr.	Befehl
1	FREQ <nr1>	10	LIMHI <nr1>,<nrf>
2	FUNC <nr1>	11	LIMLO <nr1>,<nrf>
3	MODE <nr1>	12	SORTON
4	ZEROCON	13	RCL <nr1>
5	ZEROCOFF	14	RST
6	BINNOM <nr1>,<nrf>	15	SAV <nr1>
7	BINNOM? <nr1>	16	*LRN?
8	LIMHI? <nr1>	17	LRN <data>
9	LIMLO? <nr1>	18	READALL?

Fehler 18 wird als Antwort auf den Befehl READALL? gemeldet, wenn kein gültiger Messwert vorliegt (z. B. Messbereichsüberschreitung auf dem Display).

Der Hersteller oder seine Auslandsvertretungen bieten einen Reparaturservice für Geräte an, die einen Fehler entwickelt haben. Wenn ein Eigentümer die Reparaturarbeiten selbst ausführen möchte, sollte dies nur durch ausgebildetes Personal und in Verbindung mit dem Service Manual (Wartungshandbuch) erfolgen. Das Service Manual ist direkt vom Hersteller oder von den Auslandsvertretungen zu erwerben.

Reinigung

Wenn das Gerät gereinigt werden muss, einen nur leicht mit Wasser oder einem sanften Reinigungsmittel angefeuchteten Lappen verwenden.

VORSICHT! UM EINEN ELEKTRISCHEN SCHLAG ODER EINE BESCHÄDIGUNG DES GERÄTES ZU VERMEIDEN, NIEMALS WASSER IN DAS GEHÄUSE GELANGEN LASSEN. UM EINE BESCHÄDIGUNG DES GEHÄUSES ZU VERMEIDEN, NIE MIT LÖSEMITTELN REINIGEN.

Reinigung der Verbinderkontakte

Sicherstellen, dass die Kontaktflächen der Vierleiter-Kelvin-Klemmen in keinsten Weise verunreinigt sind. Die Kontakte der beiden eingebauten Federleisten und die Axialadapter sind aus qualitativ hochwertigem Edelstahl gefertigt, aber sie können Verunreinigungen aus der Umgebung aufnehmen oder von Bauteil-Anschlussleitungen, die in den Verbinder eingeführt werden. Die Verbinder gelegentlich reinigen, indem ein Stück saubere steife Pappe zwischen ihnen eingeführt und sanft vor- und zurückgeschoben wird. Im Extremfall kann die Pappe mit einer kleinen Menge geeigneter Reinigungsflüssigkeit angefeuchtet werden.

Questo strumento appartiene alla Categoria di Sicurezza 1 secondo la classifica IEC ed è stato progettato in modo da soddisfare i criteri EN61010-1 (requisiti di Sicurezza per Apparecchiature di misura, controllo e per uso in laboratorio). E' uno strumento di Categoria II di installazione e inteso per funzionamento con un'alimentazione normale monofase.

Questo strumento ha superato le prove previste da EN61010-1 e viene fornito in uno stato di sicurezza normale. Questo manuale contiene informazioni e avvertenze che devono essere seguite per assicurarsi di un'operazione sicura e mantenere lo strumento in condizioni di sicurezza.

Questo strumento è progettato per uso all'interno e in un ambiente d'inquinamento Grado 2, dentro la gamma di temperatura da 5°C a 40°C, con umidità relativa (non condensante) di 20% - 80%. Può occasionalmente essere assoggettato a temperature fra +5°C e -10°C senza comprometterne la sicurezza. Non usare in presenza di condensazione.

L'uso dello strumento in maniera non conforme a quanto specificato in queste istruzioni potrebbe pregiudicare la protezione di cui è dotato. Non usare lo strumento per misurare tensioni al di sopra dei valori nominali o in condizioni ambientali al di fuori di quelle specificate.

ATTENZIONE! QUESTO STRUMENTO DEVE ESSERE COLLEGATO A TERRA

Una qualsiasi interruzione sia interna che esterna del collegamento a terra lo rende pericoloso. E' proibito interrompere questo collegamento deliberatamente. La protezione non deve essere negata attraverso l'uso di un cavo di estensione privo del filo di collegamento a terra.

Quando lo strumento è alimentato, alcuni morsetti sono sotto tensione e l'apertura dei coperchi o la rimozione di parti (eccetto quei componenti accessibili senza l'uso di attrezzi) può lasciare scoperti dei morsetti sotto tensione. L'apparecchiatura deve essere staccata da tutte le sorgenti di tensione prima di aprirla per regolazioni, manutenzione o riparazioni.

E' consigliabile evitare, per quanto possibile, qualsiasi operazione di regolazione e di riparazione dello strumento sotto tensione e, qualora fosse inevitabile, dette operazioni devono essere eseguite da una persona specializzata in materia, che sia pienamente conscia del pericolo presente.

Quando sia chiaro che lo strumento è difettoso, o che ha subito un danno meccanico, un eccesso di umidità, o corrosione a mezzo di agenti chimici, la sicurezza potrebbe essere stata compromessa e lo strumento deve essere ritirato dall'uso e rimandato indietro per le prove e le riparazioni del caso.

Assicurarsi di usare solo fusibili della portata giusta e del tipo corretto durante eventuali sostituzioni. Sono proibiti sia l'uso di fusibili improvvisati che il corto circuito deliberato dei portavalvole.

Evitare di bagnare lo strumento quando lo si pulisce.

Sullo strumento e in questo manuale si fa uso dei seguenti simboli.



Attenzione - vedere i documenti allegati. L'uso errato può danneggiare lo strumento.



Corrente Alternata

Tensione d'esercizio

La tensione d'esercizio dello strumento è indicata sul pannello posteriore. Se è necessario modificare la tensione d'esercizio da 230 V a 115 V e viceversa, procedere nel modo seguente:

1. Scollegare lo strumento da tutte le fonti di tensione.
2. Rimuovere le 6 viti che tengono la parte superiore del corpo allo châssis e sollevarlo, osservando le posizioni del connettore del cavo piatto.
3. Rimuovere le 4 viti che fissano il PCB dell'alimentazione allo châssis e togliere il PCB.
4. Modificare i collegamenti pertinenti a zero ohm al lato del trasformatore sul PCB:
Collegare LK4 soltanto per il funzionamento a 230 V
Collegare LK3 e LK5 soltanto per il funzionamento a 115 V

Notare che, se il cambio di tensione d'esercizio è accompagnato da un cambio di frequenza d'alimentazione, la reiezione in modo comune ottimale di rete sarà ottenuta regolando la selezione interna da 100/120 Hz a 100 Hz per l'alimentazione da 50 Hz e 120 Hz per l'alimentazione da 60 Hz. Questa è regolata dallo stato del collegamento LK2 che si trova immediatamente sotto il modulo oscillatore sul circuito stampato principale. Senza un contatto di commutazione montato ai pin la frequenza è regolata a 100 Hz; se un contatto di commutazione è montato, la frequenza è regolata a 120 Hz. La regolazione in fabbrica per il funzionamento a 230 V è di 100 Hz e per il funzionamento a 115 V è di 120 Hz. Se lo strumento LK2 viene modificato dalla regolazione effettuata in fabbrica, l'unità deve essere ricalibrata al nuovo valore di frequenza (i valori di calibrazione per 100 Hz e 120 Hz non possono essere tenuti simultaneamente).

5. Rimontare il PCB allo châssis, in modo tale che tutti i collegamenti (particolarmente il collegamento di sicurezza a terra) siano effettuati come prima e rimontare la parte superiore del corpo.
6. Per conformarsi con i requisiti standard di sicurezza la tensione d'esercizio marcata sul pannello posteriore deve essere modificata per indicare chiaramente il nuovo valore di tensione.
7. Sostituire il fusibile secondo la nuova tensione d'esercizio, vedi sotto.

Fusibile

Il fusibile con ritardo di risposta corretto deve essere montato per la tensione d'esercizio selezionata

Per il funzionamento a 230 V usare 125mA (T) 250V HBC.

Per il funzionamento a 115V usare 250mA (T) 250V HBC.

Accertarsi che solo i fusibili con la corrente nominale richiesta e il tipo specificato siano usati quando viene effettuata la sostituzione. L'uso di fusibili improvvisati e il cortocircuito dei portafusibili non sono consentiti.

Cavo di rete

Collegare lo strumento all'alimentazione di rete in corrente alternata utilizzando il cavo fornito. Se dovesse essere necessaria una spina di alimentazione diversa, utilizzare un set completo della spina necessaria e di un connettore tipo IEC60320 C13 adeguatamente dimensionati e omologati. Per determinare la corrente minima nominale del set cavo necessario per l'alimentazione utilizzata, fare riferimento ai dati di potenza indicati sull'apparecchio stesso o nelle corrispondenti specifiche tecniche.

ATTENZIONE! QUESTO STRUMENTO DEVE ESSERE MESSO A TERRA

Qualsiasi interruzione del conduttore di terra di rete all'interno o all'esterno dello strumento rende lo strumento pericoloso. Non è consentita l'interruzione intenzionale.

Collegamenti dei componenti

I fili del DUT (Device Under Test – Dispositivo testato) sono inseriti nei connettori Kelvin nella parte superiore dello strumento. I componenti assiali possono essere inseriti negli adattatori forniti, che sono a loro volta inseriti nei connettori Kelvin. Entrambe le forme di collegamento forniscono effettivo contatto a quattro terminali al DUT in modo tale da consentire la misura accurata dei componenti a bassa impedenza.

I fili dei componenti radiali possono essere spinti direttamente nei connettori caricati a molla, oppure, per fili delicati, i connettori possono essere aperti premendo sugli attuatori dei connettori.

Allo stesso modo gli adattatori assiali possono essere inseriti spingendo direttamente nei connettori principali; regolare la posizione degli adattatori secondo la lunghezza del filo e del corpo del DUT assiale.

Accertarsi che le superfici di contatto dei connettori Kelvin siano prive di contaminazione. In caso di dubbio vedere la sezione Manutenzione.

Componenti montati sulla superficie

Inserire il modulo d'interfaccia delle pinze a molla di montaggio superficiale opzionale nei connettori Kelvin. Il collegamento effettivo a quattro terminali è mantenuto alle pinze a molla.

Collegamenti remoti

Un'attrezzatura di prova remota può essere collegata tramite i connettori BNC sul modulo plug-in d'interfaccia opzionale che s'inserisce nei connettori Kelvin sulla parte superiore dello strumento. I connettori sono contrassegnati con High Drive, High Sense, Low Sense e Low Drive. Gli schermi dei cavi coassiali Drive dovrebbero essere collegati insieme all'estremità remota e collegati allo schermo e al corpo dell'attrezzatura di prova esterna. Gli schermi dei cavi Sense dovrebbero essere isolati l'uno dall'altro e dallo schermo dell'attrezzatura di prova.

Mentre i fili lunghi fino ad 1 metro non rappresentano un problema, i fili ad un'attrezzatura di prova esterna dovrebbero essere delle minime dimensioni possibili e l'accuratezza delle misure dovrebbe essere controllata a tutte le frequenze del test e sulla gamma di valori misurati prima di fare affidamento sui dati ottenuti.

RS232

Connettore D a 9 pin per controllo remoto da PC con i seguenti collegamenti:

Pin	Nome	Descrizione
1	DCD	Collegato ai pin 4 e 6
2	TXD	Dati trasmessi dallo strumento
3	RXD	Dati ricevuti allo strumento
4	DTR	Collegato ai pin 1 e 6
5	GND	Segnale terra
6	DSR	Collegato ai pin 1 e 4
7	RTS	Collegato al pin 8
8	CTS	Collegato al pin 7
9	–	Nessun collegamento interno

Collegare ad un PC con un cavo che ha i pin 2, 3 e 5 collegati più i pin 1, 4 e 6 e i pin 7 e 8 collegati al lato del PC. Oppure, dato che i collegamenti sono effettuati all'interno dello strumento, si può usare un cavo 1-a-1 totalmente cablato.

Funzionamento

Questa sezione copre l'uso generale dello strumento. Sebbene le capacità di base siano per lo più ovvie dalle funzioni della tastiera, gli utenti che richiedono la piena prestazione e accuratezza sono invitati a leggere tutta questa sezione e la sezione Principi della misurazione.

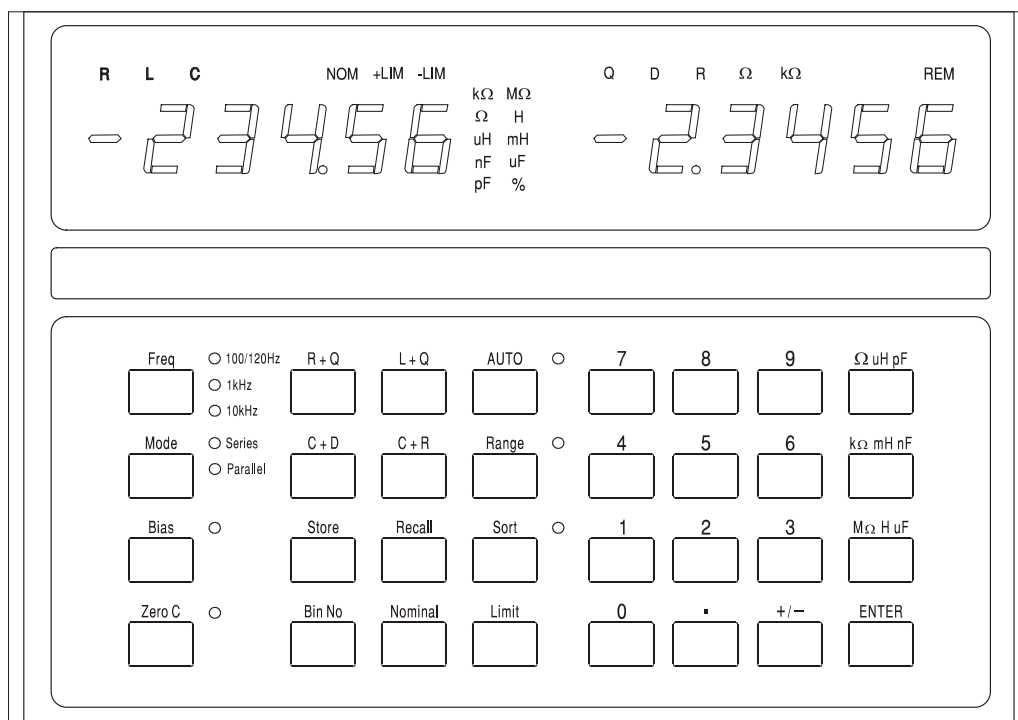
Accensione

Accendere lo strumento usando l'interruttore ON/OFF sul quadro posteriore.

Un interruttore sullo strumento esegue una breve procedura di autotest interna, visualizza la versione del software, e poi attende in modalità Auto un componente da misurare. Se è acceso quando un componente è collegato rileva automaticamente e misura quel componente.

Per scollegare completamente dall'alimentazione CA staccare il cavo di rete dalla parte posteriore dello strumento o spegnere alla presa di rete CA; accertarsi che i mezzi di scollegamento siano prontamente disponibili. Scollegare dall'alimentazione CA quando non è in uso.

Display



In uso normale il display sinistro a 5 cifre mostra il valore dei parametri principali (L, C o R) e il display destro mostra il valore dei parametri minori (Q, D o R). I parametri visualizzati sono indicati sopra i loro rispettivi valori numerici e le unità del parametro sono indicate alla destra del valore stesso. Un test del display che accende tutti gli indicatori può essere effettuato tenendo premuto qualsiasi tasto mentre lo strumento è acceso.

L'accuratezza di base dello strumento è dello 0,1% e, per la gamma d'impedenza per cui questa accuratezza è garantita (vedi Specifica), lo strumento si configura per dare in genere fra 5.000 e 50.000 conteggi di risoluzione di display. Se il valore misurato si trova all'esterno della gamma entro il quale l'accuratezza dello 0,1% è garantita (alla frequenza di misurazione selezionata), l'indicatore delle unità (kΩ, pF, ecc.) lampeggia per indicare questa situazione. Se lampeggia anche l'indicatore di frequenza, la modifica della gamma di frequenza porta il componente misurato entro la gamma della specifica di accuratezza dello 0,1% dello strumento. Ad esempio, se si misura 680 pF alla frequenza Auto preimpostata di 1 kHz, lampeggia sia l'indicatore (pF) delle unità che la spia della gamma di frequenza; quando si modifica la frequenza a 10 kHz si porta 680 pF entro la specifica di 0,1% dello strumento e smettono di lampeggiare entrambe le spie. Durante la configurazione e l'uso della funzione di ordinamento i display hanno altri usi; le spiegazioni complete sono fornite nella sezione Ordinamento dei componenti.

Tasti e indicatori per la misurazione

Frequenza

Quando si preme il tasto **Freq** (Freq) si configura la frequenza di test per la misura a 100/120 Hz, 1kHz o 10kHz.

Nota: Per un'alimentazione da 50 HZ la frequenza minima di test sarà generalmente di 100 Hz, mentre per un'alimentazione da 60 Hz sarà generalmente 120 Hz, vedere la sezione Installazione.

Quando si preme il tasto si modifica la frequenza da 100/120 Hz a 1 kHz a 10 kHz e di nuovo a 100/120 Hz. La spia indica la configurazione usata. Se la spia lampeggia, questo indica che un'altra frequenza può dare una misura più accurata per un componente di quel tipo e valore.

Mode

Seleziona i valori di circuito equivalenti nella modalità in serie o in parallelo da visualizzare, vedere la sezione Principi della misurazione. Se la spia lampeggia, indica che l'altra modalità è la selezione più consueta per un componente di quel tipo e valore. Se la modalità Auto (Auto) è stata selezionata Mode (Modalità) non può essere modificata senza prima selezionare la modalità L, C o R.

Bias

Questo applica 2 Volt CC sui terminali di test per polarizzare i condensatori elettrolitici secondo la polarità marcata sui connettori Kelvin. Notare che l'applicazione della polarizzazione ai resistori o induttori può causare un errore di misurazione a causa di un sovraccarico interno. Le tensioni di polarizzazione fino a 50 V CC possono essere applicate esternamente, vedere la sezione Polarizzazione Esterna del capitolo Principi della misurazione.

Zero C

Quando si misurano i condensatori, premendo questo pulsante prima di inserire il componente testato si azzerava la lettura di capacità, eliminando in tal modo la capacità dell'attrezzatura di prova. Un massimo di 100 pF di capacità parassita può essere azzerato in questo modo. Il fattore di correzione è perso quando il ponte viene spento. Zero C può essere usato solo quando si misura la capacità; se viene selezionata qualsiasi altra funzione il display indica **not C** per 2 secondi e il comando viene ignorato.

R+Q, L+Q, C+D, C+R

Imposta lo strumento per mostrare il parametro principale nel display sinistro e il parametro minore corrispondente sulla destra.

Auto

In modalità Auto lo strumento rileva automaticamente se il componente misurato è un resistore, condensatore o induttore e regola automaticamente lo strumento per visualizzare i parametri del componente in esame. Notare che i componenti 'imperfetti', ad esempio induttori con una resistenza in serie elevata, possono essere rilevati in modo errato nella modalità Auto e devono avere la corretta funzione impostata manualmente. Nella modalità Auto la frequenza della misura può essere modificata (premendo il tasto **Freq**) ma la selezione della modalità Series/Parallel viene mantenuta come la selezione preconfigurata per quel tipo di componente, vedere la sezione Principi della misurazione. Per passare dalla modalità serie a quello parallelo, o viceversa, è prima necessario uscire dalla modalità Auto selezionando la pertinente funzione (R+Q, L+Q, etc.); la modalità può quindi essere modificata con il tasto **Mode**.

Range Hold

Mantiene la gamma di misura a quella in uso quando si preme il tasto. Disabilita la selezione di gamma automatica e minimizza il tempo di assestamento fra le misure di componenti di valore simile. Notare che la gamma della misura della tensione e della corrente del DUT viene selezionata automaticamente individualmente per l'accuratezza e risoluzione ottimale; il processore poi determina l'incertezza della misura e imposta una risoluzione di display appropriata. Range Hold (Tenuta gamma) fissa tutte queste gamme. Se si misura un componente con un valore significativamente diverso, facendo superare una di queste gamme, il display visualizza **OR** (fuori gamma) e Range Hold deve essere disattivato per ottenere una lettura corretta.

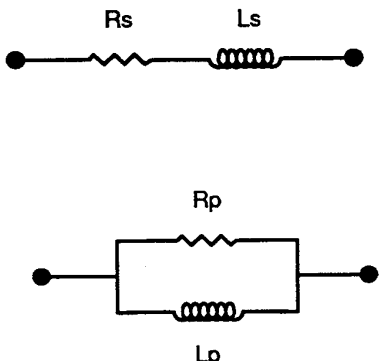
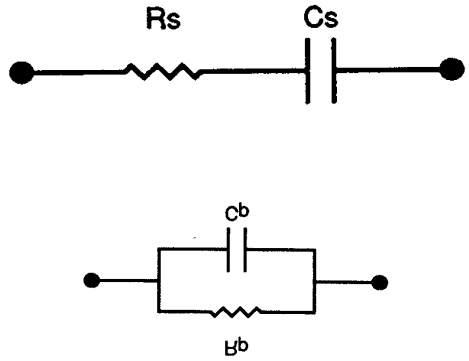
Tasti di ordinamento e tasti di memorizzazione/riciamo

I tasti usati per configurare l'ordinamento e l'eliminazione, e per memorizzare e richiamare configurazioni complete di ordinamento, sono descritti nella sezione Ordinamento componenti.

Modelli di circuito

I resistori, condensatori e induttori possono essere tutti rappresentati ad una data frequenza con un semplice circuito equivalente in serie o parallelo. Si deve sottolineare che questo è un semplice circuito equivalente e come tale sarà solo rappresentativo su una gamma di frequenza limitato. Gli effetti di una gamma di frequenza ampia sono discussi più tardi.

I modelli usati dall'LCR400 sono i seguenti:

	
$Z_s = R_s + j\omega L_s$ $Z_p = \frac{j\omega L_p R_p}{R_p + j\omega L_p}$ $Q = \frac{R_p}{\omega L_p} = \frac{\omega L_s}{R_s}$ $L_s = \frac{Q^2}{1 + Q^2} L_p \quad R_s = \frac{\omega L_s}{Q} \quad R_p = Q\omega L_p$	$Z_s = R_s - j \frac{1}{\omega C_s}$ $Z_p = \frac{R_p}{1 + j\omega R_p C_p}$ $D = \omega R_s C_s = \frac{1}{\omega R_p C_p} \quad D = \frac{1}{Q}$ <p><i>(D è anche conosciuto come $\tan\delta$)</i></p> $C_s = (1 + D^2) C_p \quad R_s = \frac{D^2}{1 + D^2} R_p$
<p>dove $\omega = 2\pi f$</p>	

Resistori

Tutti i resistori hanno impedenze parassite, sia induttanza e capacità che effetti distribuiti di entrambi. Fortunatamente, però, in uso normale questi effetti parassiti sono in genere molto limitati rispetto alla resistenza.

L'LCR 400 fornisce l'opportunità di valutare i componenti in serie e parallelo dei resistori a 100 Hz e 1 kHz e 10 kHz.

Alcuni tipi di resistore hanno effetti parassiti più prominenti di altri. I resistori con avvolgimento di filo, a meno che dotati di avvolgimento speciale, hanno un'induttanza maggiore rispetto agli equivalenti in carbonio ed a strato metallico. Persino i resistori a strato di carbonio hanno un'induttanza dovuta all'induttanza dei fili e del taglio spiralato usato per tagliare la resistenza. È inoltre sempre presente la capacità fra i collegamenti del tappo terminale – sui resistori a strato metallico è in genere circa 0,25 pF. Questo diventa significativo in genere solo su resistori a valore elevato o/e ad alte frequenze. I resistori ad avvolgimento bifase possono avere un'induttanza bassa ma la prossimità degli avvolgimenti può introdurre una capacità significativa distribuita lungo la resistenza. Per predire la prestazione di un componente di questo tipo a frequenze elevate occorre un circuito equivalente più complesso dei semplici circuiti in serie o

parallelo a due componenti discussi qui. In pratica la soluzione è di selezionare i tipi di componenti che corrispondono alla gamma di frequenza dell'applicazione.

Per la maggior parte dei resistori, dove i parassiti induttivi e capacitivi sono minimi, sia i circuiti in serie sia in parallelo daranno risultati identici per la resistenza.

Per i resistori dove l'induttanza è il parassita significativo, il circuito equivalente in serie fornisce il valore che corrisponde alla scheda dati del produttore. Per i dispositivi di alto valore, la capacità può iniziare ad essere significativa e il circuito equivalente in parallelo può essere più appropriato.

Normalmente R+Q dovrebbe essere selezionato per i resistori; la Q di un resistore sarà in genere molto bassa – particolarmente alle frequenze di misurazione basse usate. Però se le resistenze in serie e parallelo a 10 kHz differiscono in modo significativo da quelle a 100 Hz o 1kHz, la Q sarà significativa. O l'induttanza o la capacità del resistore produce un effetto. La selezione di C+R o L+Q quantifica la capacità parassita o l'induttanza.

I resistori a basso valore possono essere misurati ad una qualsiasi delle tre frequenze di test dell'LCR400, ma i resistori ad alto valore (>100kΩ) sono meglio misurati sulla gamma di 100 Hz. Lo strumento indica se una misura si trova fuori dalla sua gamma massima di accuratezza, facendo lampeggiare il segnalatore dell'unità; se l'accuratezza può essere migliorata modificando la frequenza della misura, il segnalatore di frequenza lampeggia, vedere la sezione Display.

Condensatori

Tutti i condensatori hanno induttanza e resistenza parassita oltre alla loro capacità intesa.

I fili di un condensatore possono aggiungere un'induttanza significativa a frequenze elevate. I condensatori a strato metallico avvolti a spirale possono avere un'induttanza parassita significativa, che è il motivo perché non vengono usati per disaccoppiare le frequenze alte. Alcuni tipi di condensatori di ceramica possono fornire un disaccoppiamento eccellente, cioè hanno alta capacità con resistenza e induttanza di serie bassa, ma possono essere molto dissipativi. I condensatori elettrolitici a valore elevato possono avere un'induttanza significativa – questa induttanza può persino risuonare con la capacità alle frequenze di misura dell'LCR400. Questo produce l'effetto di mostrare un condensatore ad alto valore conosciuto come avente capacità o induttanza negativa.

I condensatori hanno due tipi principali di resistenza parassita. Primo c'è la resistenza fisica del dielettrico e delle perdite dielettriche; questo è in genere specificato nei termini del Dissipation Factor 'D' (Fattore di dissipazione 'D') o tangente di perdita e dipende dalla frequenza. In secondo luogo, c'è la resistenza fisica dei fili e dei collegamenti agli elettrodi sul dielettrico. Il filo e la resistenza del collegamento sono in genere trascurabili, ma sui condensatori elettrolitici ad alto valore, usati per alimentazioni uniformi, può essere molto importante. La resistenza in serie di tali dispositivi è spesso un parametro specificato dai produttori.

Per la maggior parte dei condensatori, eccetto quelli elettrolitici ad alto valore, il circuito equivalente in parallelo darà la capacità che corrisponde alla scheda dati del produttore. Per i condensatori a perdita bassa le capacitance equivalenti in serie e parallelo saranno uguali.

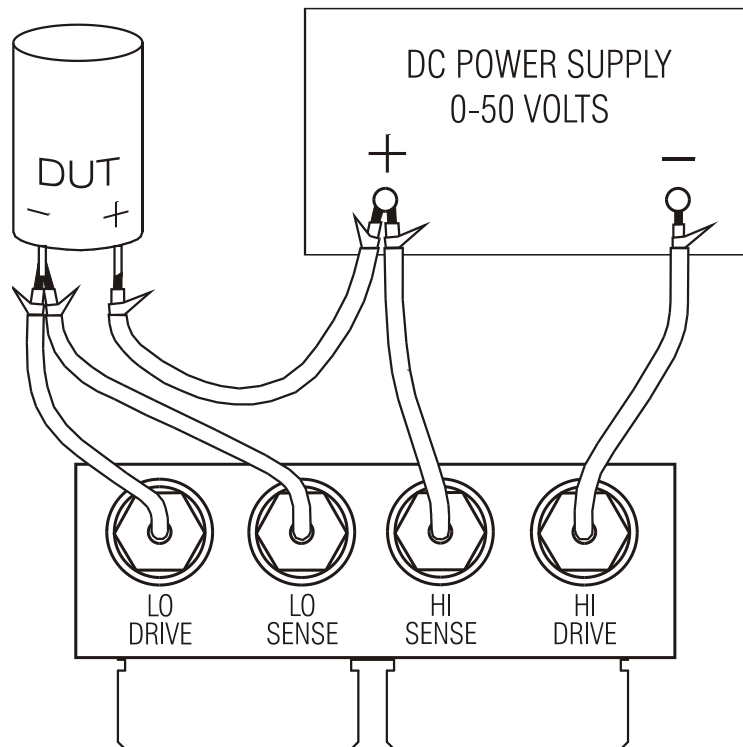
I condensatori elettrolitici sono sensibili alla polarità e dovrebbero essere collegati allo strumento correttamente e la polarizzazione applicata. Per i condensatori elettrolitici ad alto valore, per i quali il produttore specifica Equivalent Series Resistance (ESR) (Resistenza Serie Equivalente) si dovrebbe usare il circuito equivalente in serie.

L'LCR 400 fornisce i mezzi per investigare le perdite dei condensatori o in termini di fattore di dissipazione (C+D) o in termini di resistenza equivalente in serie o in parallelo (C+R).

Per ottenere la risoluzione e l'accuratezza massime, è meglio misurare i valori bassi di capacità (<4nF) sull'LCR 400 a 10kHz dopo aver azzerato la capacità senza che alcun componente sia collegato. Valori più alti (>10μF) dovrebbero essere misurati a 100 Hz. Lo strumento segnala se una misura si trova al di fuori della sua gamma di accuratezza massima facendo lampeggiare il segnalatore dell'unità; se l'accuratezza può essere migliorata modificando la frequenza della misurazione, anche il segnalatore di frequenza lampeggia, vedere la sezione Display.

Polarizzazione esterna

La polarizzazione CC di 2 Volt disponibile internamente (vedere la sezione Tasti e Indicatori per la misurazione) è in genere adeguata per polarizzare i condensatori elettrolitici. È tuttavia possibile collegare esternamente un'alimentazione (o batteria) totalmente flottante per dare una tensione di polarizzazione CC di un massimo di 50 Volt.



La polarizzazione CC esterna deve essere collegata all'LCR400 e al dispositivo testato (DUT) nel modo indicato nel diagramma. I collegamenti High Drive, High Sense, Low Drive e Low Sense all'LCR400 sono effettuati usando il modulo d'interfaccia opzionale che si inserisce nei connettori Kelvin sulla parte superiore dello strumento.

I connettori BNC sul modulo d'interfaccia sono contrassegnati con i nomi dei segnali. Collegare all'alimentazione e al dispositivo testato (DUT) usando i cavi schermati, ad es. cavo coassiale in miniatura, ma lasciare gli schermi scollegati all'estremità remota.



ATTENZIONE. Osservare sempre la corretta polarità nel collegamento dei condensatori; la mancata osservazione della corretta polarità può danneggiare il dispositivo testato (DUT) e causare possibili lesioni agli utenti.



Scaricare sempre i condensatori dopo l'effettuazione delle misure con una polarizzazione CC, particolarmente a tensioni di polarizzazione alte; se questo non è il caso si possono causare possibili lesioni agli utenti e danneggiare l'LCR400 se il condensatore caricato viene successivamente collegato direttamente ai connettori Kelvin. L'LCR400 è progettato per resistere al collegamento diretto dei condensatori caricati fino a 50 V CC con un massimo di 1 Joule di energia immagazzinata ($\frac{1}{2} CV^2$); non dovrebbe essere però usato per scaricare normalmente questi condensatori. La tensione o l'energia più alta possono danneggiare lo strumento.

Induttori

Tutti gli induttori hanno perdite resistive, capacità parassita e un campo magnetico accoppiato esterno. Le perdite resistive sono l'equivalente della resistenza alle perdite nel centro e la resistenza del filo conduttore che compone i giri dell'induttore. È presente la capacità fra ciascun giro del conduttore e ogni altro giro. Il campo magnetico di un induttore può estendersi al di fuori del pacchetto fisico del componente.

Nella sua forma più semplice la resistenza può essere rappresentata come un resistore in serie con l'induttanza, e la capacità come un condensatore in parallelo. L'effetto della capacità propria e dell'induttanza di un induttore ad una data frequenza combinato produce l'induttanza netta sotto la frequenza di risonanza o capacità sopra la frequenza di risonanza.

Sugli induttori ad alto valore, come i trasformatori progettati per funzionare a 50/60Hz, la frequenza di risonanza automatica può essere sotto le frequenze di test più alte dell'LCR 400. Sopra la frequenza di risonanza automatica questi induttori sembrano un condensatore dissipativo. A causa della natura distribuita di questi parassiti, i valori equivalenti della resistenza e capacità cambiano con la frequenza.

Il campo magnetico con dispersione, mentre in genere trascurabile nel caso di induttori toroidali induttori a nucleo laminato o induttori a nucleo a olla, può essere significativo con gli induttori assiali come induttori a RF e antenne ad asta di ferrite. Ciò significa che l'induttanza di un dispositivo con un campo magnetico 'privo di isolamento' può variare considerevolmente a seconda delle caratteristiche di qualsiasi materiale conduttore o magnetico vicino al dispositivo. Qualsiasi materiale conduttore all'interno del campo del dispositivo conterrà correnti indotte che possono a loro volta avere l'effetto di ridurre l'induttanza apparente del componente. Invece qualsiasi materiale ferro-magnetico nell'area immediata del componente può avere l'effetto di aumentare l'induttanza apparente. In casi estremi, può sembrare che l'induttanza di un componente vari a seconda della sua distanza al di sopra dei connettori e del corpo in acciaio dell'LCR400.

Gli induttori a basso valore (<100uH) sono misurati meglio a 10 kHz mentre i valori alti >25H dovrebbero essere misurati a 100 Hz. Lo strumento avvisa se una misura si trova al di fuori della sua gamma massimo di accuratezza facendo lampeggiare il segnalatore dell'unità; se l'accuratezza può essere migliorata cambiando la frequenza della misura, lampeggia anche il segnalatore di frequenza; vedere la sezione Display

Collegamento in serie/parallelo

Lo strumento LCR400 fornisce la capacità di misurare i parametri di circuito equivalente in serie o parallelo di resistori, condensatori e induttori.

Nella modalità Auto il ponte usa i seguenti modelli.

Resistore	In serie
Induttore	In serie
Condensatore <1μF	In parallelo
Condensatore >1μF	In serie

Questi forniranno i parametri che corrispondono ai valori delle schede dati per la maggior parte dei componenti.

Ordinamento dei componenti

L'LCR 400 fornisce le funzioni complete per ordinare i componenti in 'contenitori' secondo il valore. I parametri per ciascun contenitore possono essere definiti dalla tastiera o da un PC tramite un'interfaccia RS232. I parametri dell'ordinamento dei contenitori sono memorizzati con la configurazione dello strumento; è possibile memorizzare fino a 9 configurazioni complete.

I limiti dei contenitori sono configurati come percentuali attorno ai valori nominali e possono essere sovrapposti o in sequenza (con lo stesso valore nominale) o possono essere percentuali attorno a valori nominali alquanto diversi; i contenitori devono essere applicati tuttavia allo stesso parametro (R, L o C).

Se viene configurato solo un contenitore, tutti i componenti all'esterno della gamma sono classificati come 'fail' (test non superato). Un massimo di 8 contenitori (0-7) può essere utilizzato per effettuare l'ordinamento in base al parametro principale; il contenitore 8 può essere usato per stabilire i limiti per il parametro minore soltanto (D, Q o R) e il contenitore 9 è il contenitore generale delle unità 'fail'.

Tasti di ordinamento

I seguenti tasti sono associati con l'ordinamento; sono descritti più particolareggiatamente nelle sezioni che seguono

Sort (Ordina)

Attiva e disattiva la funzione di ordinamento.

Bin No. (N. contenitore)

Usato per impostare ciascuno degli otto valori di contenitore.

Nominal (Nominale)

Usato per impostare il valore nominale per un contenitore e il limite per il parametro minore (contenitore 8).

Limit (Limite)

Usato per configurare il limite per un contenitore, in percentuali.

Tasti numerici 0-9, • e ±

Usati per inserire i numeri dei contenitori, i numeri di memorizzazione dei programmi, i valori nominali e i limiti di percentuale.

Ω μH pF

Usato quando si inseriscono i valori dei componenti nominali per configurare il moltiplicatore appropriato.

kΩ mH nF

Usato quando si inseriscono i valori dei componenti nominali per configurare il moltiplicatore appropriato.

MΩ H μF

Usato quando si inseriscono i valori dei componenti nominali per configurare il moltiplicatore appropriato.

Enter (Invio)

Usato per confermare un valore numerico (valore, numero di contenitore o numero di memorizzazione del programma).

Tasti di memorizzazione/richiamo

I seguenti tasti sono usati per memorizzare e richiamare le configurazioni:

Store (Memoria)

Memorizza tutta la configurazione, compresi i valori configurati relativi all'ordinamento dei contenitori, nella memoria non volatile.

Recall (Richiamo)

Richiama fino a nove configurazioni precedentemente memorizzate.

Semplice ordinamento Pass/Fail

Per regolare l'ordinamento semplice pass/fail, selezionare prima il tipo di misura da effettuare, cioè R+Q, L+Q, C+D o C+R. Regolare la frequenza della misura e selezionare la misura in serie o in parallelo secondo le esigenze.

Nota: Binning non può essere regolato con il ponte in modalità Auto.

Selezione del contenitore

Premere il tasto **Bin No.** per accedere al modo di configurazione. Quando si preme successivamente il tasto **Bin No.** il display scorre attraverso le opzioni di **binX** (dove **X** è il numero di contenitore), **CLEAR?** (cancella il contenitore selezionato), **CLEAR ALL?** (cancella tutti i contenitori) e **End?** (esce dal modo configurazione contenitore). Quando si preme **Bin No.** per la prima volta si accede alla sequenza di opzione selezionata prima dell'ultima uscita; può essere necessario premere il tasto diverse volte per ottenere l'opzione desiderata.

Per cancellare qualsiasi informazione relativa all'ordinamento dei contenitori precedente selezionare **CLEAR?** Con il tasto **Bin No.** e premere **Enter**; il display dovrebbe visualizzare il messaggio **CLEAR done** e poi **binX** nel display destro, pronto per lo stadio successivo. Se tutti i contenitori devono essere cancellati selezionare **CLEAR ALL?** e seguire un procedimento simile.

Per l'ordinamento semplice pass/fail, deve usare il contenitore 0. Gli altri contenitori (da 1 a 7 compreso) dovrebbero essere 'chiusi' regolando i loro limiti a zero; oppure – e questo è più facile - tutti i contenitori possono essere cancellati usando **CLEAR ALL?**, prima che il contenitore 0 sia configurato. Il contenitore 8 può essere usato per impostare limiti per il parametro minore (Q, D, o R); i componenti che non superano questi limiti cadono nel contenitore 8. Le parti che non cadono né nel contenitore 0 né nel contenitore 8 cadono nel contenitore 0, il contenitore generale dei componenti designati come 'fail'.

Premere **Bin No.** finché **binX** viene visualizzato nel display. Premere **0** per selezionare il contenitore 0; **bin0** dovrebbe esser visualizzato nel display destro.

Impostazione del valore nominale

Con **bin0** visualizzato, premere il tasto **Nominal**; il display sinistro adesso mostra sei linee con **NOM** al di sopra.

Inserire il valore nominale richiesto, seguito dai tasti appropriati dell'unità (**kΩ**, **μF**, ecc.). Premere **Enter** per salvare il valore; il display sinistro adesso mostra il valore inserito.

Per modificare un valore inserito, inserire semplicemente un nuovo valore e premere di nuovo **Enter**.

Impostazione dei limiti

Con **bin0** visualizzato, premere il tasto **Limit**; il display sinistro adesso mostra sei lineette e **+LIM** sopra. L'indicatore delle unità cambia a %.

Inserire il limite superiore di deviazione dal valore nominale consentito per un componente 'pass', come una percentuale, e premere **Enter**. Notare che il valore minimo che può essere inserito è 0,1% e la risoluzione è 0,1%. Il display sinistro mostra di nuovo il valore inserito. Per modificare un valore inserito inserire semplicemente un nuovo valore e premere di nuovo **Enter**.

Premere nuovamente il tasto **Limit**; il display sinistro mostra sei lineette ma adesso con **-LIM** sopra le lineette. Inserire il limite inferiore di deviazione dal valore nominale consentito per un componente 'pass', come una percentuale, e premere **Enter**. Notare che per un limite sotto il valore nominale è necessario inserire un valore meno usando il tasto **±**. Notare inoltre che i limiti non devono essere simmetrici e possono persino essere entrambi sopra il valore nominale o entrambi sotto il valore nominale. Se nessun limite **-LIM** viene inserito, i limiti sono considerati simmetrici relativamente al valore nominale, cioè il limite superiore è stato regolato a +0,5%, e il limite inferiore si regola automaticamente a -0,5%.

Il limite inferiore (**-LIM**) può essere regolato sopra il limite superiore (**+LIM**), ma se si esce dal modo di configurazione e si seleziona Sort, si produce **Err bin0**.

Limiti parametri minori

Per configurare il limite di parametro minore (Q, D o R) selezionare il contenitore 8; farlo usando il tasto **Bin No.** finché **binX** è visualizzato, poi inserire **8**. **bin8** adesso è visualizzato nel lato sinistro del display. Per inserire il limite premere **Nominal**; l'indicatore del parametro minore (Q, D o R) sarà visualizzato nel lato destro del display e il valore di limite dovrebbe essere poi inserito dalla tastiera. Premere **Enter** per confermare il limite.

Le parti che non superano il limite del parametro minore del contenitore 8 cadono nel contenitore 8 indipendentemente dal fatto che il parametro maggiore superi i limiti del contenitore 0 o no. L'uso del contenitore 8 è opzionale; non è necessario stabilire un limite e se il limite rimane 'chiuso' (lo stato preconfigurato, indicato da lineette) il contenitore 8 viene ignorato.

Contenitore dei componenti 'fail'

Le parti che non cadono nel contenitore 0 o contenitore 8 sono assegnate al contenitore 9, il contenitore generale dei componenti 'fail'.

Uso dell'ordinamento

Avendo impostato il contenitore 0, premere **Bin No.** finché **End?** viene visualizzato nel display, premere poi **Enter** per uscire dal modo di configurazione.

Premere **Sort (Ordina)** per attivare la funzione di ordinamento. Le parti che superano i limiti di percentuale del parametro maggiore saranno contrassegnate da **PASS bin0** nel display; le parti che non superano i limiti di termine minori del contenitore 8 (se configurati) saranno contrassegnate da **FAIL bin8**, le parti che non cadono nel contenitore 0 o nel contenitore 8 saranno contrassegnate da **FAIL bin9**.

Memorizzazione delle configurazioni dell'ordinamento

Per memorizzare una configurazione di Sort premere il tasto **Store (Memoria)**; il display visualizza **store?**. Premere un tasto da **1 - 9** seguito da **Enter**; dopo qualche secondo il display destro visualizza **done** per indicare che la configurazione è stata memorizzata. Il valore nominale dell'ordinamento dei contenitori e i limiti sono memorizzati con la Function (Funzione), Frequency, Mode, ecc. usati per la configurazione di Sort.

Per richiamare una configurazione Sort premere **Recall (Richiama)**, il numero di memoria (**1-9**), e **Enter**. Il display mostra **rc1 done** quando la configurazione è stata ricaricata dalla memoria non volatile.

Notare che la memoria 0 contiene i valori preconfigurati in fabbrica; questi possono essere caricati premendo **Recall, 0, Enter**. La memoria 0 non può essere sovrascritta premendo **Store, 0, Enter** e non può quindi essere usata per memorizzare le informazioni relative all'ordinamento dei contenitori.

Ordinamento di contenitori multipli

Lo strumento LCR400 supporta due schemi diversi per l'ordinamento di contenitori multipli, sovrapposti e in sequenza.

I contenitori sovrapposti (o impilati) hanno un valore nominale e limiti simmetrici progressivamente più grandi. Anche i contenitori in sequenza possono avere un valore nominale ma limiti asimmetrici (es. -5% a -2% , -2% a $+2\%$, $+2\%$ a 5%) o possono avere valori nominali diversi, ciascuno con i suoi limiti di percentuale.

Come nel caso dell'ordinamento semplice pass/fail, il contenitore 8 è il contenitore dei componenti 'fail' per il parametro minore appropriato e il contenitore 9 è il contenitore generale dei componenti 'fail'.

Gli schemi di ordinamento di contenitori multipli possono essere alquanto complicati; è quindi una buona idea scrivere la configurazione di ordinamento dei contenitori prima di iniziare la programmazione e salvare la configurazione dopo aver completato la programmazione.

Ordinamento di contenitori sovrapposti

L'ordinamento dei contenitori sovrapposti viene usato quando i componenti devono essere ordinati in contenitori secondo la loro deviazione da un valore nominale, ad esempio ordinando un valore di resistore particolare in selezioni di $\pm 0,1\%$, $\pm 0,5\%$ e $\pm 1\%$.

Per configurare questo tipo di ordinamento dei contenitori selezionare prima il tipo di misura da effettuare, es. R + Q, impostare la frequenza di misurazione e selezionare la modalità in serie o in parallelo, secondo le esigenze.

Selezionare il contenitore 0 e impostare il valore nominale e la tolleranza più stretta da selezionare (cioè $0,1\%$ nel caso dell'esempio) usando i tasti **Nominal** e **Limit** esattamente nel modo descritto per il testing semplice di pass/fail. Notare che, dato che i limiti sono simmetrici, è solo necessario configurare **+LIM** a $0,1\%$; se **-LIM** è 'chiuso' (lineette indicate nel display) il limite inferiore è automaticamente $-0,1\%$.

Selezionare quindi il contenitore 1 in un modo simile al contenitore 0 e regolare il suo limite alla tolleranza più stretta successiva (cioè $0,5\%$ per l'esempio). Come nel caso del contenitore 0 è solo necessario regolare **+LIM** a $0,5\%$; **-LIM** si configura a $-0,5\%$ se non è configurato un limite. Notare inoltre che non è necessario configurare un valore nominale per il contenitore 1 (e qualsiasi contenitore successivo che usa lo stesso valore nominale); se il valore nominale è lasciato 'chiuso' (lineette indicate nel display) il valore nominale del contenitore inferiore successivo, in questo caso 0, viene automaticamente usato. Notare che se il contenitore 0 non ha un valore nominale e limiti, la selezione di Sort fa visualizzare il messaggio **Err bin0**.

Configurare il limite **+LIM** del contenitore 2 a 1% per completare l'esempio dato.

Configurare il limite di termine minore (Q nel caso delle misure R + Q) nel contenitore 8 se richiesto; il contenitore 8 viene ignorato se il limite è 'chiuso' (lineette indicate nel display).

Le parti che cadono in diversi contenitori vengono assegnate al contenitore di numero inferiore. Per cui le tolleranze più strette dovrebbero essere assegnate al numero di contenitore più basso, come nell'esempio.

I contenitori non utilizzati dovrebbero essere 'chiusi' (indicato da lineette) usando la funzione cancella contenitore.

Le parti che non cadono nei contenitori di 'pass' o nel contenitore 8 sono assegnate al contenitore 9, il contenitore generale di 'fail'.

Ordinamento in sequenza

L'ordinamento in sequenza con lo stesso valore nominale può essere configurato essenzialmente nello stesso modo usato per l'ordinamento sovrapposto, con un valore nominale solo definito per il contenitore 0. I limiti superiore (**+LIM**) e inferiore (**-LIM**) di ciascun contenitore devono essere comunque definiti. Ad esempio, per ordinare un resistore particolare nelle bande -2% a -1% , $\pm 1\%$, e $+1\%$ a $+2\%$, il contenitore 0 ha il suo **NOM** configurato al valore del resistore nominale, **+LIM** configurato a -1% e **-LIM** configurato a -2% ; il contenitore 1 non ha un valore **NOM** e il suo **+LIM** è configurato a $+1\%$ e il suo **-LIM** a -1% ; il contenitore 2 non ha un valore **NOM**, il suo **+LIM** è configurato a $+2\%$ e il suo **-LIM** è configurato a $+1\%$.

L'ordinamento in sequenza con valori nominali diversi può essere nuovamente configurato essenzialmente nello stesso modo ma stavolta ogni contenitore ha il **NOM** configurato al suo valore nominale rispettivo. Se i limiti associati a ciascun nominale sono simmetrici allora solo **+LIM** deve essere configurato, ma se sono asimmetrici allora anche **-LIM** deve essere configurato.

In entrambi gli schemi il contenitore 8 può essere configurato con il limite per il termine minore, se necessario, esattamente come descritto sopra.

Qualsiasi parte che non cade nei contenitori 'pass' o nel contenitore 8, compresi eventuali spazi fra i limiti dei contenitori in sequenza sono assegnati al contenitore 9, il contenitore 'fail' generale.

Memorizzazione e richiamo di configurazioni dell'ordinamento

Le configurazioni per l'ordinamento di contenitori multipli sono memorizzate e richiamate dalla memoria non volatile esattamente nel modo descritto per il semplice ordinamento pass/fail.

Dati generali

Lo strumento può essere controllato a distanza tramite la sua interfaccia RS232.

Quando viene acceso lo strumento si trova nello stato locale con l'indicatore REMote (REMoto) spento. Quando un comando viene ricevuto, lo stato remoto viene inserito e l'indicatore REMote viene acceso. La tastiera non è chiusa e lo strumento può essere riportato allo stato locale premendo qualsiasi tasto; l'effetto di questa azione tuttavia rimane attivo solo fino a quando lo strumento riceve un altro carattere dall'interfaccia, quando lo stato remoto viene inserito ancora una volta.

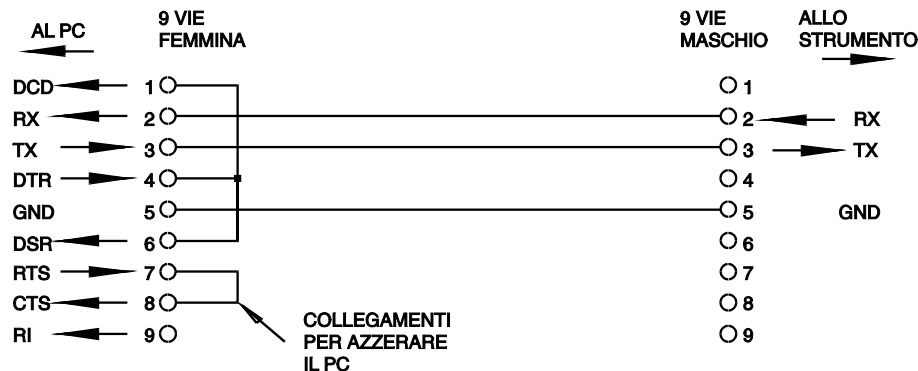
Il formato di comando a distanza e i comandi remoti stessi sono particolareggiati nel capitolo sui Comandi a distanza.

Connettore RS232

Il connettore di interfaccia seriale di tipo D a 9 vie si trova sul pannello posteriore dello strumento. I collegamenti dei pin sono indicati sotto:

Pin	Nome	Descrizione
1	DCD	Collegato ai pin 4 e 6
2	TXD	Dati trasmessi dallo strumento
3	RXD	Dati ricevuti allo strumento
4	DTR	Collegato ai pin 1 e 6
5	GND	Segnale terra
6	DSR	Collegato ai pin 1 e 4
7	RTS	Collegato al pin 8
8	CTS	Collegato al pin 7
9	-	Nessun collegamento interno

Collegare ad un PC con un cavo che ha pin 2, 3, 5, collegati più i pin 1, 4, 6 e i in 7 e 8, collegati al lato del PC; vedere il diagramma. Oppure dato che i collegamenti sono anche effettuati al lato dello strumento, si può usare un cavo 1-1 totalmente cablato.



I parametri di interfaccia sono fissati nel modo seguente:

Velocità Baud:	9600
Bit avviamento: 1	Parità: Nessuna
Bit dati: 8	Stop Bit: 1

Set caratteri RS232

Qualsiasi codice ASCII può essere usato. Il Bit 7 dei codici ASCII viene ignorato, cioè si presume che sia basso. Nessuna distinzione viene effettuata fra i caratteri maiuscoli e minuscoli nella mnemonica dei comandi ed essi possono essere usati insieme liberamente. I codici di controllo ASCII fra 00H e 31H sono ignorati, eccetto 0AH (Line Feed, LF) che viene usato come un terminatore di comando.

Formati di comando remoto

L'input seriale allo strumento è tamponato in una coda di input che viene riempita, sotto interrupt, in un modo trasparente a tutte le altre operazioni dello strumento. Questa coda contiene dati di comandi non elaborati (non analizzati) che vengono presi, dall'analizzatore sintattico, secondo le esigenze. I comandi (e le richieste) vengono eseguiti in ordine e l'analizzatore sintattico non inizia un nuovo comando finché qualsiasi comando o richiesta non sono stati completati.

I comandi (e le richieste) devono essere inviati nel modo specificato nella lista dei comandi e devono essere terminati con il codice terminatore di comando 0AH (Line Feed (Alimentazione linea), LF). Notare che i parametri sono separati dalla testata del comando di uno spazio (20H) e i parametri multipli sono separati dalle virgole (2CH).

Le risposte ai comandi o alle richieste sono inviate immediatamente; non esiste una coda d'uscita. Il controller deve attendere la risposta ad un comando o una richiesta prima che siano inviati il comando o la richiesta successiva.

Lo strumento risponde al controller dopo ciascun comando o con 'OK' se il comando è stato completato con successo, o con 'ERRnn' se il comando non è stato accettato; nn è il numero di errore, vedere l'elenco alla fine di questa sezione. Lo strumento risponde al controller dopo ciascuna richiesta nel modo specificato nella lista dei comandi. In tutti i casi ciascuna risposta viene terminata da 0DH (Carriage Return (Ritorno a margine), CR) seguito da 0AH (Line Feed, LF).

<WHITE SPACE> è definito come codici di carattere 00H a 20H incluso.<WHITE SPACE> viene ignorato eccetto negli identificatori dei comandi, es. '*C LS' non è equivalente a '*CLS'.

La parte alta di tutti i caratteri viene ignorata.

I comandi possono essere inseriti a lettere maiuscole o minuscole indifferentemente.

Lista dei comandi

Questa sezione elenca tutti i comandi e le richieste implementate in questo strumento. I comandi sono elencati in ordine alfabetico entro i gruppi di funzione.

La seguente nomenclatura è usata:

<rmt>	<RESPONSE MESSAGE TERMINATOR>, CR seguito da LF
<nrf>	Un numero in qualsiasi formato, es. 12, 12.00, 1.2 e1 e 120 e-1 sono tutti accettati come il numero 12. Qualsiasi numero, quando viene ricevuto, viene convertito alla precisione consistente con l'uso allora arrotondato per ottenere il valore del comando.
<nr1>	Un numero senza parte frazionale, cioè intero.

Comandi configurazione misura

BIASOFF	Imposta polarizzazione interna disattivato.
BIASON	Imposta polarizzazione interna attivato.
FREQ <nr1>	Imposta la frequenza come segue: <1> imposta 100Hz o 120Hz come determinato dal collegamento hardware interno. <2> imposta 1 kHz. <3> imposta 10 kHz.
FUNC <nr1>	Imposta la funzione di misura come segue: <0> imposta Auto <1> imposta R + Q <2> imposta L + Q <3> imposta C + D <4> imposta C + R

HOLDOFF	Imposta Range Hold disattivato.
HOLDON	Imposta Range Hold attivato.
MODE <nr1>	Imposta il modo del circuito equivalente come segue: <1> imposta modalità Serie <2> imposta modalità Parallelo
ZEROCON	'Annulla' la capacità residua (fino a 100pF) ai terminali di misurazione; il valore misurato viene sottratto da tutte le letture successive C + D o C + R finché lo Zero C è spento. Può essere usato solo con una funzione di capacità già selezionata.
ZEROCOFF	Spegne la funzione Zero C.

Comandi lettura misura

READALL?	<p>Riporta i valori del parametro principale, del parametro minore e il numero di contenitore della lettura completata immediatamente dopo che il comando è stato analizzato.</p> <p>La sintassi della risposta è <ASCII data><rmt>, dove <ASCII data> è composto da tre valori separati da virgole.</p> <p>I valori maggiori e minori sono riportati come una stringa di caratteri della forma $X=n.nnnnE\pm nn$ dove $X = R, L, C, Q$ o D e n è un numero decimale. Le unità sono Ohms per R, Henrys per L e Farads per C.</p> <p>Ad esempio:</p> <table> <tr> <td>R=2,0000E+3</td> <td>è 2kΩ</td> </tr> <tr> <td>L=1,5000E-6</td> <td>è 1,5μH</td> </tr> <tr> <td>C=18,000E-12</td> <td>è 18pF</td> </tr> <tr> <td>Q=2,56</td> <td>è Q = 2,56</td> </tr> <tr> <td>D=0,015</td> <td>è D = 0,015</td> </tr> </table> <p>Il numero di contenitore viene riportato nella forma BIN=n, dove n è un numero decimale. Quando l'ordinamento dei contenitori è attivo, NOBIN viene prodotto.</p> <p>Esempi di risposte complete sono:</p> <pre>L=1.5000E-6,Q=2.18,NOBIN<rmt> C=186.97E-6,R=0.2015,BIN=2<rmt> R=384.30E-3,Q=0.0004,BIN=1<rmt></pre>	R=2,0000E+3	è 2k Ω	L=1,5000E-6	è 1,5 μ H	C=18,000E-12	è 18pF	Q=2,56	è Q = 2,56	D=0,015	è D = 0,015
R=2,0000E+3	è 2k Ω										
L=1,5000E-6	è 1,5 μ H										
C=18,000E-12	è 18pF										
Q=2,56	è Q = 2,56										
D=0,015	è D = 0,015										
READMAJ?	Riporta il valore soltanto del parametro maggiore, nel formato descritto sopra per READALL?										
READMIN?	Riporta il valore soltanto del parametro minore, nel formato descritto sopra per READALL?										
READBIN?	Riporta il valore soltanto del numero di contenitore nel formato descritto sopra per READALL?										

Comandi per l'ordinamento dei contenitori

BINCLEAR	Cancella il valore nominale e i limiti di tutti i contenitori; questo produce disattiva Sort, se è selezionato.
BINNOM <nr1>,<nrf>	Imposta il valore nominale del Contenitore <nr1> al valore <nrf>; <nr1> può essere da 0 a 8 (9 è il contenitore generale di 'fail'). Notare che il Contenitore 8 è sempre il contenitore di termini minore (Q, D o R) Il valore nominale <nrf> è relativo alla funzione selezionata al momento in cui viene definito il primo contenitore; altri contenitori definiti sono relativi alla stessa funzione. La selezione di Sort forza quella funzione selezionata. Se nessun valore nominale viene configurato per un contenitore, il valore nominale per il contenitore successivo più basso viene automaticamente usato. Il contenitore attivo con il numero più basso deve avere il suo valore nominale configurato; il Contenitore 0 deve essere sempre configurato per l'ordinamento dei contenitori per essere abilitato.
BINNOM? <nr1>	Riporta il valore nominale del contenitore <nr1> nella forma <nrf><rmt>.
LIMHI <nr1>,<nrf>	Imposta il limite superiore del Contenitore <nr1> a <nrf>%. Il limite superiore deve essere regolato prima del limite inferiore.
LIMHI? <nr1>	Riporta il valore nominale del Contenitore <nr1>.
LIMLO <nr1>,<nrf>	Imposta il limite inferiore del Contenitore <nr1> a <nrf>%. Il limite inferiore deve essere impostato sotto il limite superiore (che deve essere stato impostato prima). Se nessun limite inferiore è impostato lo strumento usa il negativo del limite superiore, cioè i limiti saranno simmetrici relativamente al valore nominale.
LIMLO? <nr1>	Riporta il limite inferiore del Contenitore <nr1>. Nota: I limiti possono essere configurati per i contenitori senza valore nominale; il valore nominale usato sarà quello del contenitore più basso successivo che ha un valore nominale impostato.
SORTON	Abilita l'ordinamento dei contenitori (sort). L'abilitazione dell'ordinamento forza la funzione di misura associata alla configurazione di ordinamento dei contenitori. Sort può essere abilitato se almeno un contenitore è stato definito.
SORTOFF	Disabilita ordinamento dei contenitori (sort).

Comandi del sistema

RST	Reimposta lo strumento alle configurazioni preimpostate all'accensione.
RCL<nr1>	Richiama la configurazione dello strumento contenuta nel numero di memoria <nr1>. I numeri di memoria validi sono 0 - 9. Il richiamo della memoria 0 imposta tutti i parametri ai valori preconfigurati all'accensione. Un tentativo di richiamare da una memoria che non è stata precedentemente caricata con una configurazione produce un errore.
SAV<nr1>	Salva la configurazione dello strumento contenuta nella memoria numero <nr1>. I numeri di memoria validi sono 1- 9.

Comandi di stato

*LRN?	Riporta la configurazione completa dello strumento come un blocco di dati a caratteri esadecimali. La sintassi della risposta è LRN <data><rmt>. Per reinstallare la configurazione esattamente come è stata ricevuta, compresa la testata LRN all'inizio del blocco, vedere sotto. I valori configurati nello strumento non sono modificati dall'esecuzione del comando*LRN?.
LRN <character data>	Installare dati da un comando *LRN? precedente. Notare che la testata LRN è dotata di blocco di risposta *LRN?.

Comandi vari

*IDN?	Riporta l'identificazione dello strumento. La risposta esatta è determinata dalla configurazione dello strumento ed è nella forma <NAME>,<model>, 0, <version><rmt> dove <NAME> è il nome del produttore,, <model> definisce il tipo di strumento e <version> è il livello di revisione del software installato.
-------	--

Comandi specifici di calibrazione

Vedere il Manuale sulla manutenzione per i particolari dei comandi specifici per la calibrazione.

Numeri di errore

Lo strumento risponde al controller dopo ogni comando che contiene "OK" se il comando è stato correttamente completato o con "ERRnn" se il comando non è stato accettato. I comandi non vengono accettati se il comando è corretto ma i parametri sono fuori gamma (ad es. "FREQ 5" restituisce "ERR1") o se il comando è corretto ma non può essere implementato (ad es. ZEROCON con resistenza selezionata). In caso di comandi "?", viene restituito un errore se non esiste una configurazione da restituire, ad es. "ERR8" se non sono stati impostati limiti Hi per il bin selezionato. Se il comando non viene riconosciuto, non viene restituito né OK né "ERRnn".

Elenco codici di errore

I comandi associati ai vari numeri di errore sono i seguenti:

N. errore	Comando	N. errore	Comando
1	FREQ <nr1>	10	LIMHI <nr1>,<nrf>
2	FUNC <nr1>	11	LIMLO <nr1>,<nrf>
3	MODE <nr1>	12	SORTON
4	ZEROCON	13	RCL <nr1>
5	ZEROCOFF	14	RST
6	BINNOM <nr1>,<nrf>	15	SAV <nr1>
7	BINNOM? <nr1>	16	*LRN?
8	LIMHI? <nr1>	17	LRN <data>
9	LIMLO? <nr1>	18	READALL?

L'errore 18 viene restituito in risposta a READALL? se non ci sono misurazioni valide, ad es. la schermata indica una carica eccessiva.

I produttori o i loro agenti all'estero forniranno il servizio di riparazione per qualsiasi unità che sviluppi un guasto. Nei casi in cui i proprietari desiderino effettuare i lavori di manutenzione, questi dovrebbero essere effettuati da personale qualificato con l'uso del manuale della manutenzione che può essere acquistato direttamente dai produttori o dai loro agenti all'estero.

Pulizia

Se lo strumento deve essere pulito usare un panno che è solo leggermente inumidito con acqua o un detergente delicato.

ATTENZIONE! PER EVITARE SCOSSE ELETTRICHE O DANNI ALLO STRUMENTO, NON CONSENTIRE MAI CHE L'ACQUA ENTRI NEL CORPO DELLO STRUMENTO. NON PULIRE MAI IL CORPO CON SOLVENTI PER NON DANNEGGIARLO.

Pulizia del contatto del connettore

Accertarsi che le superfici di contatto dei connettori Kelvin siano prive di contaminazione. I contatti sia dei connettori incorporati che degli adattatori assiali sono costruiti in acciaio inossidabile di altra qualità ma possono essere contaminati dall'ambiente o dai fili dei componenti inseriti nel connettore. Pulire periodicamente i connettori inserendo un pezzo di cartoncino rigido pulito fra i connettori e spingendolo leggermente avanti e indietro. In casi estremi il cartoncino può essere inumidito leggermente con una soluzione detergente idonea.

Este es un instrumento de Clase Seguridad I según la clasificación del IEC y ha sido diseñado para cumplir con los requisitos del EN61010-1 (Requisitos de Seguridad para Equipos Eléctricos para la Medición, Control y Uso en Laboratorio). Es un equipo de Categoría de Instalación II que debe ser usado con suministro monofásico normal.

Este instrumento se suministra habiendo sido comprobado según la norma EN61010-1. El manual de instrucciones tiene información y advertencias que deben aplicarse para garantizar la seguridad del usuario durante su empleo.

Este instrumento ha sido diseñado para ser utilizado en un ambiente Grado 2 de Polución a temperaturas de entre 5°C y 40°C y humedad relativa de entre el 20% y el 80% (sin condensación). De manera ocasional puede someterse a temperaturas de entre -10°C y +5°C sin que ello afecte a su seguridad. No hay que ponerlo en funcionamiento mientras haya condensación.

El uso de este instrumento de forma no especificada por estas instrucciones puede afectar a su seguridad. El instrumento no debe ser utilizado fuera de su rango de voltaje o de su gama ambiental.

ADVERTENCIA! ESTE INSTRUMENTO DEBE CONECTARSE A TIERRA

Cualquier interrupción del conductor a tierra dentro o fuera del instrumento implicaría que el instrumento resultara peligroso. Está prohibida cualquier interrupción intencionada de la conexión a tierra. No debe utilizarse con un cable de tensión sin tierra.

Mientras el instrumento esté conectado es posible que queden sin protección elementos bajo tensión y la obertura de tapas o el retiro de piezas (salvo las accesibles por la mano) puede dejar expuestos a elementos bajo tensión. Si se tuviera que efectuar alguna operación de ajuste, cambio, mantenimiento o reparación es necesario desconectar el instrumento de todas las fuentes de tensión.

Todo ajuste, mantenimiento o reparación del instrumento abierto bajo tensión debe ser evitado en lo posible, pero si fuera ineludible, estos trabajos deben ser realizados exclusivamente por un personal cualificado consciente del riesgo que implica.

Si el instrumento fuera claramente defectuoso, hubiera sido sometido a un daño mecánico, a humedad excesiva o a corrosión química, su protección de seguridad puede fallar y el aparato debe sacarse de uso y devolverse para comprobación y reparación.

Asegúrese que sólo se empleen fusibles de la clasificación y tipo especificados para todo recambio. Está prohibido utilizar fusibles improvisados así como el corto circuito de portafusibles.

El instrumento no debe humedecerse al ser limpiado.

Los símbolos a continuación son utilizados en el instrumento y en este manual:



Advertencia - Remitirse a los documentos adjuntos, el uso incorrecto puede dañar al instrumento.



corriente alterna (CA)

Voltaje de alimentación de trabajo

El voltaje de alimentación de trabajo del instrumento está indicado en el panel posterior. En caso de que fuese necesario cambiar el voltaje de trabajo de 230V a 115V o viceversa, procédase como se indica a continuación:

1. Desconecte el instrumento de todas las fuentes de voltaje.
2. Quite los 6 tornillos que sujetan la parte superior de la caja al chasis y sepárela, observando las posiciones de la conexión del cable plano.
3. Quite los 4 tornillos que sujetan el tablero de circuito impreso de la fuente de alimentación al chasis y separe el tablero de circuito impreso.
4. Cambie los puentes de conexiones de cero ohmios adecuados, al lado del transformador en el tablero de circuito impreso:

El puente de conexión LK4 sólo es para funcionamiento a 230V

El puente de conexión LK3 y LK5 sólo es para funcionamiento a 115V

Tenga en cuenta que, si el cambio del voltaje de trabajo va acompañado de un cambio en la frecuencia del suministro, el rechazo del modo común óptimo de la alimentación se logrará ajustando la selección interna de 100/120Hz a 100Hz para suministro de 50Hz y 120Hz para un suministro de 60Hz. Éste se ajusta por el estado del puente de conexión LK2 que está situado inmediatamente debajo del módulo del oscilador en el tablero de circuito principal. Sin puente de conexión de cortocircuitar ajustado a las clavijas, la frecuencia está ajustada a 100Hz; Si lleva ajustado un puente de conexión de cortocircuitar, está ajustado a 120Hz. Los ajustes de fábrica para el funcionamiento a 230V es de 100Hz y para el funcionamiento a 115V es de 120Hz. Si se cambia el puente de conexión LK2 del ajuste de fábrica, será necesario volver a calibrar la unidad al ajuste de la nueva frecuencia (los ajustes de calibración para 100Hz y 120Hz no pueden mantenerse simultáneamente).

5. Vuelva a colocar el tablero de circuito impreso en el chasis, asegurándose que todas las conexiones (en especial la tierra de seguridad) vuelvan a hacerse igual que antes, y vuelva a colocar la parte superior de la caja.
6. A fin de cumplir los requerimientos de las normas de seguridad, el voltaje de trabajo indicado en el panel posterior debe cambiarse para que indique claramente el nuevo ajuste de voltaje.
7. Cambie el fusible para que se adecue al nuevo voltaje de trabajo, véase a continuación.

Fusible

Debe ajustarse el fusible de retardo correcto para el voltaje de trabajo seleccionado.

Para funcionamiento a 230V utilice un fusible de 125mA (T) 250V HBC.

Para funcionamiento a 115V utilice un fusible 250mA (T) 250V HBC.

Asegúrese que solamente se utilizan fusibles de repuesto con la corriente nominal requerida y del tipo especificado. La utilización de fusibles improvisados y el cortocircuitado de los portafusibles está prohibido.

Cable de alimentación

Conectar el instrumento al suministro de CA usando el cable de la red incluido. Si requiere un enchufe de la red para una toma de energía diferente, deberá utilizar un conjunto de cable de la red aprobado con la capacidad adecuada provisto del enchufe de pared requerido y un conector IEC60320 C13 para el extremo del instrumento. Para determinar la capacidad mínima de corriente del conjunto del cable para el suministro de CA específico, leer las Especificaciones o la información referente a la potencia de salida del equipo.

¡AVISO! ESTE INSTRUMENTO DEBE LLEVAR TIERRA

Cualquier interrupción del conductor a tierra dentro o fuera del instrumento implicaría que el instrumento resultara peligroso.

Conexiones de componentes

Los cables del Device Under Test (DUT) se introducen en las conexiones Kelvin en la parte superior de la unidad. Los componentes axiales pueden introducirse en los adaptadores que se suministran, que a su vez se introducen en las conexiones Kelvin. Ambos tipos de conexión ofrecen un contacto verdadero de cuatro terminales al DUT a fin de asegurar la medición exacta de los componentes de baja impedancia.

Los cables de los componentes radiales pueden introducirse directamente en las conexiones accionadas por muelle. De manera alternativa, para cables delicados, las conexiones pueden abrirse haciendo presión sobre los actuadores de las conexiones.

De manera similar, los adaptadores axiales pueden introducirse haciendo presión directamente sobre las conexiones principales; ajuste la posición de los adaptadores para adecuarse al cable y a la longitud del cuerpo del DUT axial.

Asegúrese que las superficies de contacto de las conexiones Kelvin no estén contaminadas. En caso de duda, consulte el apartado de Mantenimiento.

Componentes instalados en superficie

Conecte el módulo de interfaz de las pinzas optativas instaladas en superficie a las conexiones Kelvin. Cuatro conexiones terminales verdaderas se mantienen en las pinzas.

Conexiones remotas

A través de las conexiones BNC puede conectarse una unidad de prueba remota sobre el módulo enchufable de interfaz optativo que se introduce en las conexiones Kelvin en la parte superior del instrumento. Las conexiones están marcadas High Drive, High Sense, Low Sense y Low Drive. Las pantallas de los cables coaxiales del Drive deben conectarse juntos en el extremo remoto y conectarse a la pantalla y a la caja de la unidad de prueba externa. Las pantallas de los cables Sense deben aislarse entre sí y de la pantalla de la unidad de prueba.

Mientras que es improbable que los cables de hasta 1 metro presenten problemas, los cables de una unidad de prueba externa deben ser lo más cortos posibles y la exactitud de las mediciones debe comprobarse en todas las frecuencias de prueba, además de sobre el rango de valores que se está midiendo antes de poder fiarse de ellos.

RS232

Conexión en D de 9 clavijas para control remoto de PC con las siguientes descripciones:

Clavija	Nombre	Descripción
1	DCD	Conectada a las clavijas 4 y 6
2	TXD	Datos transmitidos del instrumento
3	RXD	Datos recibidos del instrumento
4	DTR	Conectada a las clavijas 1 y 6
5	GND	Señal de tierra
6	DSR	Conectada a las clavijas 1 y 4
7	RTS	Conectada a la clavija 8
8	CTS	Conectada a la clavija 7
9	–	Sin conexión interna

Conectar a un PC con un cable que tenga las clavijas 2, 3 y 5 cableadas más las clavijas 1, 4 y 6 y las clavijas 7 y 8 conectadas en el extremo del PC. De manera alternativa, puesto que los puentes de conexión están hechos dentro del instrumento, puede utilizarse un cable totalmente cableado 1–a–1.

Funcionamiento

Este apartado trata el uso general del instrumento. Aunque las funciones básicas de las funciones del teclado son bastante obvias, se aconseja que los usuarios que precisen un rendimiento y una exactitud totales lean este apartado y el apartado Principios de medición en su totalidad.

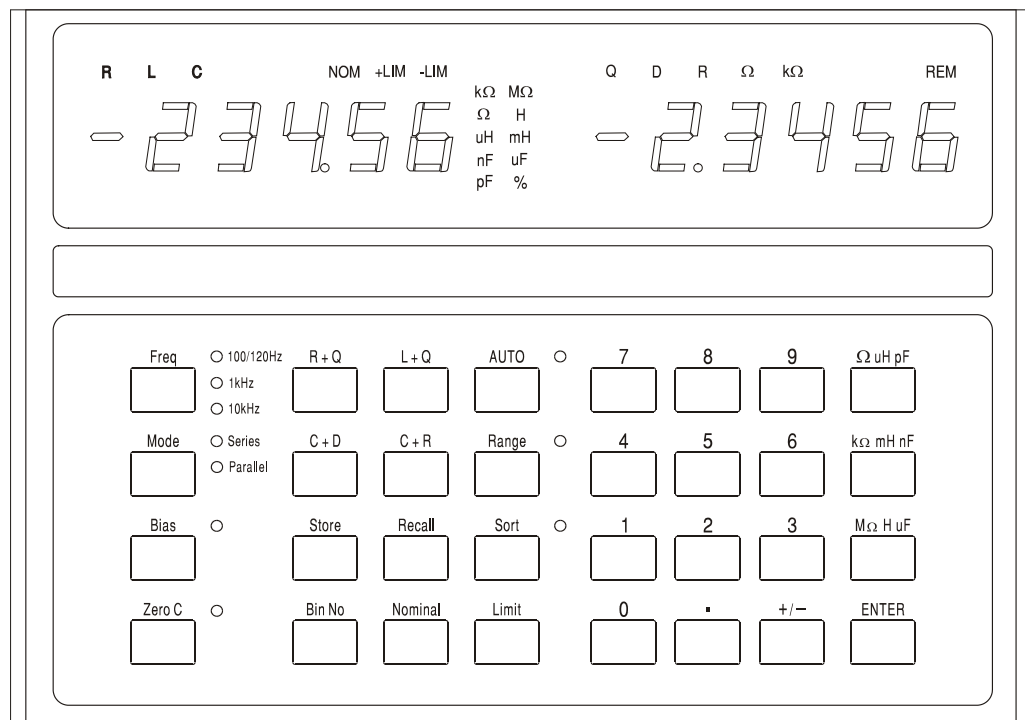
Encendido

Encienda el instrumento utilizando el interruptor ON/OFF en la parte posterior del panel.

Cuando se enciende, el instrumento ejecuta una prueba interna automática corta, muestra la versión de software, y permanece en el modo Auto hasta que se mida un componente. Si se enciende con un componente conectado, detectará y medirá automáticamente ese componente.

Para desconectar completamente el suministro de CA, desenchufar el cable de alimentación situado en la parte posterior del instrumento o desconectarlo en la salida del suministro de CA; asegúrese de poder acceder fácilmente a los medios de desconexión. Cuando no se esté utilizando, desconectarlo del suministro de CA.

Pantalla



Durante el uso normal la pantalla izquierda de 5 dígitos muestra el valor del parámetro más grande (L, C o R) y la pantalla de la derecha muestra el valor del parámetro más pequeño (Q, D o R). Los parámetros que se muestran se indican encima de sus respectivos valores numéricos y las unidades del parámetro se muestran a la derecha del propio valor. Puede llevarse a cabo una prueba de la pantalla que ilumina todos los indicadores, manteniendo oprimida cualquier tecla mientras el instrumento está encendido.

La exactitud de la medición básica es de 0,1% y, para el rango de impedancia para el que está garantizada esta exactitud (véase Especificación) el instrumento hará un rango automático para dar típicamente entre 5.000 y 50.000 cuentas de resolución de la pantalla. Si el valor medido queda fuera del rango dentro del que se garantiza una exactitud de 0,1% (en la medición de frecuencia seleccionada (k Ω , pF, etc.) destellará para indicarlo. Si el indicador de frecuencia también parpadea, el cambio de frecuencia pudiera llevar al componente que se está midiendo dentro del rango de exactitud de la especificación del instrumento de 0,1%.

Por ejemplo, midiendo 680pF en la frecuencia Auto por defecto de 1kHz hará que destellen el indicador de la unidad (pF) y la luz de rango de frecuencia; cambiando la frecuencia a 10kHz lleva a 680pF dentro de la especificación del instrumento de 0,1% y ambos indicadores dejarán de parpadear.

Durante la configuración y el uso de la función de clasificación, las pantallas tienen otras funciones; éstas se explican con más detenimiento en el apartado Clasificación de componentes.

Teclas e indicadores de medición

Frecuencia

Pulsando la tecla **Freq** (Frecuencia) se ajusta la frecuencia de prueba para la medición a 100/120Hz, 1kHz o 10kHz.

Nota: Para un suministro de 50Hz la frecuencia de prueba más baja será generalmente de 100Hz, para un suministro de 60Hz será generalmente de 120Hz, véase el apartado de instalación.

Pulsando la tecla cambia la frecuencia de 100/120Hz a 1kHz a 10kHz y de nuevo a 100/120Hz. El indicador muestra el ajuste que se está utilizando. Si el indicador parpadea es un aviso de que otra frecuencia pudiera dar una medición más exacta para un componente de ese tipo y valor.

Mode

Selecciona los valores del circuito equivalente al modo de serie o paralelo que deben mostrarse, véase el apartado Principios de medición. Si el indicador parpadea es un aviso que el otro modo es la selección más usual para un componente de ese tipo y valor. Si se ha seleccionado el modo Auto (Automático) el Mode (Modo) no puede cambiarse sin primero seleccionar el modo L, C o R.

Bias

Esto es aplicable a 2 voltios de cc a través de las terminales de prueba para polarizar condensadores electrolíticos según la polaridad marcada en las conexiones Kelvin. Tenga en cuenta que aplicando polarización a las resistencias o a los inductores pudiera dar como resultado un error de medición debido a la sobrecarga interna. Los voltajes de polarización de hasta 50V CC pueden aplicarse externamente, véase la sección Polarización externa del capítulo Principios de medición.

Zero C

Cuando se midan condensadores, pulsando este botón antes de introducir el componente bajo prueba, pone a cero la lectura de la capacitancia eliminando de esta forma la capacitancia de la unidad de prueba. Hasta 100pF de la capacitancia parásita puede eliminarse de esta forma. El factor de corrección se pierde cuando se desconecta el puente. Zero C sólo puede utilizarse cuando se está midiendo la capacitancia; si se selecciona alguna otra función, la pantalla mostrará **not C** durante 2 segundos y se ignorará el comando.

R+Q, L+Q, C+D, C+R

Ajusta el instrumento para mostrar el parámetro más grande en la parte izquierda y el parámetro más pequeño correspondiente a la derecha.

Auto

En el modo Auto el instrumento detecta automáticamente si el componente que se está midiendo es una resistencia, un condensador o un inductor y ajusta el instrumento para mostrar los parámetros del componente de prueba automáticamente. Tenga en cuenta que los componentes 'imperfectos', p.e. los inductores con una resistencia de serie alta, pueden detectarse incorrectamente en el modo Auto y necesitarán que la función correcta se ajuste manualmente. En el modo Auto la medición de frecuencia puede cambiarse (cambiando la tecla de **Freq**) sin embargo la selección del modo Series/Parallel se mantiene en la selección por defecto para ese tipo de componente, véase el apartado Principios de medición. Para cambiar del modo de serie al modo paralelo, o viceversa, primero es necesario salir del modo Auto, seleccionando la función apropiada (R+Q, L+Q, etc.); posteriormente el modo puede cambiarse con la tecla **Mode**.

Range Hold

Mantiene el rango de medición en uso cuando se pulsa el botón. Esto deshabilita la función de rango automático y minimiza el tiempo de ajuste entre mediciones de componentes de un valor similar.

Tenga en cuenta que la medición del voltaje DUT y de la corriente pasan por un rango automático individual para obtener la exactitud y la resolución más óptimas; el procesador determina entonces el error de la medida y ajusta la resolución apropiada de la pantalla. Range Hold (Mantener rango) ajusta el resto de los rangos. Si se mide un componente con un valor significativamente diferente, que haga que se supere cualquiera de estos rangos, la pantalla mostrará **or** (fuera de rango) y será necesario desconectar Range Hold para obtener una lectura verdadera.

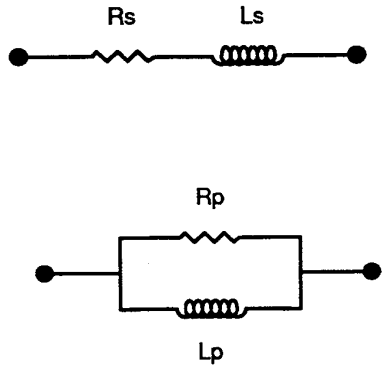
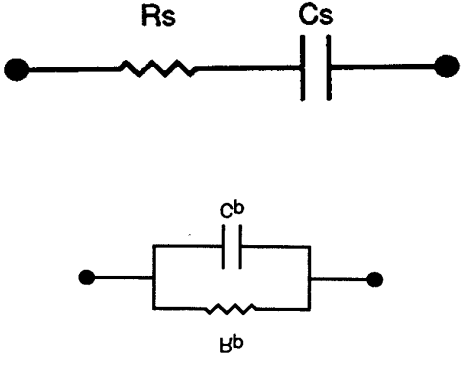
Teclas de clasificación y teclas de memoria/recuperación

Las teclas utilizadas para configurar la clasificación y el binning, y para guardar y repetir la llamada de las configuraciones completas de clasificación, se describen en el apartado Clasificación de componentes.

Modelos de circuitos

Las resistencias, los condensadores y los inductores, pueden todos ellos representarse en una frecuencia mediante sencillos circuitos equivalentes de serie o paralelos. Debemos enfatizar que es un *sencillo* circuito equivalente y como tal sólo será representativo sobre un rango de frecuencia limitado. Los efectos de un rango de frecuencia amplio se tratan más adelante.

Los modelos utilizados por el LCR400 son los siguientes:

	
$Z_s = R_s + j\omega L_s$ $Z_p = \frac{j\omega L_p R_p}{R_p + j\omega L_p}$ $Q = \frac{R_p}{\omega L_p} = \frac{\omega L_s}{R_s}$ $L_s = \frac{Q^2}{1 + Q^2} L_p \quad R_s = \frac{\omega L_s}{Q} \quad R_p = Q\omega L_p$	$Z_s = R_s - j\frac{1}{\omega C_s}$ $Z_p = \frac{R_p}{1 + j\omega R_p C_p}$ $D = \omega R_s C_s = \frac{1}{\omega R_p C_p} \quad D = \frac{1}{Q}$ <p>(D también se conoce como $\tan\delta$)</p> $C_s = (1 + D^2) C_p \quad R_s = \frac{D^2}{1 + D^2} R_p$
<p>donde $\omega = 2\pi f$</p>	

Resistencias

Todas las resistencias tienen impedancias parásitas, tanto de inductancia como de capacitancia y efectos distribuidos de ambas. Afortunadamente, sin embargo, bajo uso normal estos efectos parásitos son normalmente muy pequeños comparados con la resistencia.

El LCR 400 ofrece la oportunidad de evaluar los componentes de serie y paralelos de las resistencias a 100Hz y 1kHz y 10kHz.

Algunos tipos de resistencias tienen efectos parásitos más prominentes que otros. Las resistencias de alambre devanado, a menos que estén especialmente devanadas, tienen más inductancia que sus equivalentes de película de carbono y de metal. Incluso las resistencias de película de carbono tienen inductancia debido a la inductancia de los cables y al corte espiral utilizado para recortar la resistencia. También, siempre hay capacitancia entre las conexiones del casquillo de extremo, típicamente en resistencias de película de metal es alrededor de 0,25pF. Esto normalmente sólo es importante en resistencias de un valor alto o/y a altas frecuencias. Las resistencias devanadas de dos hilos pueden tener una inductancia baja pero la estrecha proximidad de los devanados puede introducir una capacitancia importante, distribuida a lo largo de la resistencia. Para predecir el rendimiento de un componente de este tipo a altas

frecuencias, requiere un circuito equivalente más complejo que los sencillos circuitos paralelo o de serie de dos componentes que vimos anteriormente. En la práctica, la solución es seleccionar tipos de componentes que igualen el rango de frecuencia de la aplicación.

Para la mayoría de las resistencias, donde los parásitos de la inductancia y de la capacitancia son mínimos, tanto los circuitos de serie como los paralelos ofrecerán resultados idénticos para la resistencia.

Para las resistencias cuya inductancia parásita es significativa, el circuito de serie equivalente dará el valor indicado en la hoja de datos del fabricante. Para dispositivos de valores altos, la capacitancia puede empezar a ser importante y el circuito paralelo equivalente pudiera ser más apropiado.

Normalmente para las resistencias debe seleccionarse $R+Q$; la Q de una resistencia normalmente será muy baja, especialmente con las frecuencias bajas de medición utilizadas. Sin embargo, si las resistencias de serie y paralelas a 10kHz son muy diferentes a las de 100Hz o 1kHz, la Q será importante. O bien la inductancia o la capacitancia de la resistencia está afectando. Seleccionando $C+R$ o $L+Q$ cuantificará la capacitancia o la inductancia parásitas.

Las resistencias de bajo valor pueden medirse en cualquiera de las tres frecuencias de prueba del LCR400 pero las resistencias de valor alto ($>100k\Omega$) se miden mejor en el rango de 100Hz. El instrumento avisa si una medición se encuentra fuera de su rango de exactitud máximo, haciendo que destelle el anunciador de las unidades; si la exactitud puede mejorarse cambiando la frecuencia de medición, el anunciador de frecuencia también destellará, véase el apartado Pantalla.

Condensadores

Todos los condensadores tienen una inductancia y una resistencia parásitas, además de su capacitancia intencionada.

Los cables de un condensador pueden añadir una inductancia importante a altas frecuencias. Los condensadores de película de metal devanada pueden tener una inductancia parásita importante, por lo que no se usa para desacoplar altas frecuencias. Algunos tipos de condensadores de cerámica pueden ofrecer un desacoplamiento excelente, es decir, tener una capacitancia alta con resistencias e inductancias de series bajas, sin embargo pueden ser muy disipativas. Los condensadores electrolíticos de valor alto pueden tener una inductancia importante; esta inductancia puede incluso resonar con la capacitancia de las frecuencias de medición del LCR400. Esto tiene el efecto de mostrar que un condensador de valor alto conocido tiene una capacitancia o una inductancia negativas.

Los condensadores tienen dos tipos principales de resistencia parásita. Primero está la resistencia física de la dieléctrica y de las pérdidas dieléctricas; normalmente, esto se especifica en términos del Dissipation Factor 'D' (Factor de disipación 'D') o tangente pérdida y depende de la frecuencia. En segundo lugar, está la resistencia física de los cables y de las conexiones a los electrodos en el dieléctrico. Normalmente, la resistencia del cable y de la conexión son despreciables, pero en los electrolitos de valor alto, utilizados para suavizar los suministros eléctricos, puede ser muy importante. La resistencia de serie de dichos dispositivos es con frecuencia un parámetro especificado por el fabricante.

Para la mayoría de los condensadores, excepto los electrolitos de valor alto, el circuito paralelo equivalente dará la capacitancia indicada en la hoja de datos del fabricante. Para los condensadores de pérdida baja las capacitancias equivalentes de serie y paralelas serán iguales.

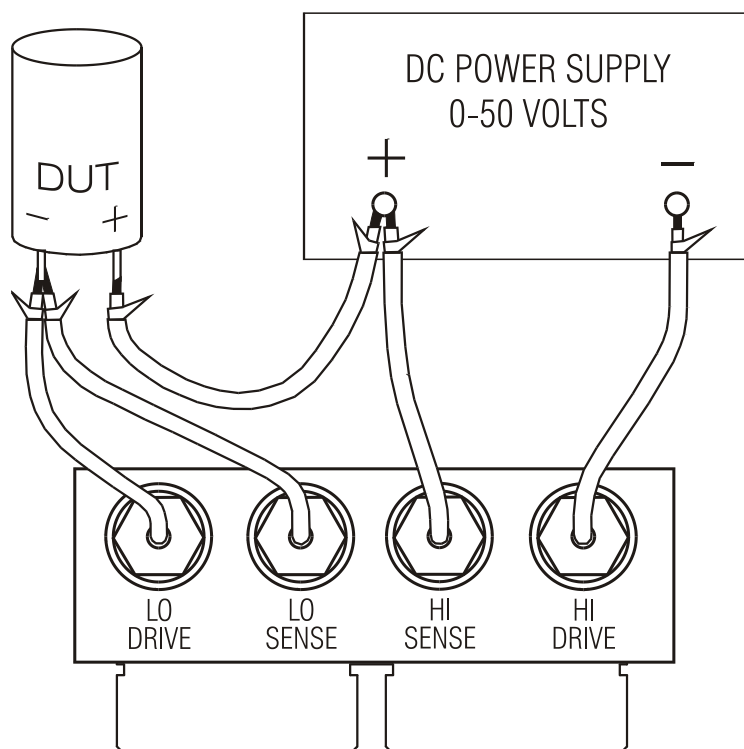
Los condensadores electrolíticos son sensibles a la polaridad y deben conectarse al instrumento correctamente y aplicarse el voltaje medio. Para los electrolitos de valor alto, para los que el fabricante especifica Equivalent Series Resistance (ESR) (Resistencia de serie equivalente) debe utilizarse el circuito equivalente de serie.

El LCR 400 ofrece los medios para investigar las pérdidas de los condensadores, bien en términos de factor de disipación ($C+D$) o en términos de resistencia de serie o paralela equivalente ($C+R$).

Para obtener la resolución y la exactitud máximas, los valores bajos de los condensadores, (<4nF) se miden mejor en el LCR 400 a 10kHz después de anular la capacitancia sin ningún componente conectado. Los valores altos, (>10 μ F) deben medirse a 100Hz. El instrumento avisa si una medición se encuentra fuera de su rango de exactitud máximo, haciendo que destelle el anunciador de la unidad; si la exactitud puede mejorarse cambiando la frecuencia de medición, el anunciador de frecuencia también destellará, véase el apartado de Pantalla.

Polarización externa

Normalmente, la polarización de 2 voltios CC disponible internamente (véase la sección Claves e indicadores de medición) es adecuada para polarizar condensadores electrolíticos. Sin embargo, es posible conectar externamente una fuente de alimentación totalmente flotante (o batería) para proporcionar un voltaje de polarización de hasta 50 voltios CC.



La polarización externa de CC debe conectarse al LCR400 y al DUT como se indica en el diagrama. Las conexiones Impulso Alto, Alta Sensibilidad, Impulso Bajo y Sensibilidad Baja al LCR400 se efectúan utilizando el módulo de interfaz optativo que se inserta en las conexiones Kelvin situadas en la parte superior del instrumento.

Las conexiones BNC en el módulo de interfaz están marcadas con los nombres de la señal. Conectar a la fuente de alimentación y al DUT utilizando cables brindados, p.e. cables coaxiales miniatura, pero dejar las pantallas sin conectar en el extremo remoto.



ATENCIÓN. Observe siempre la polaridad correcta cuando conecte condensadores; de lo contrario podría dañarse el DUT y ocasionar lesiones personales al usuario.



Descargue siempre los condensadores después de hacer mediciones con una polarización de CC, en especial con voltajes de polarización altos; de lo contrario podrían ocasionarse lesiones personales al usuario y daños al LCR400 si el condensador cargado se conecta posteriormente directamente a las conexiones Kelvin. El LCR400 ha sido diseñado para soportar la conexión directa de condensadores cargados de hasta 50V VC con hasta 1 julio de energía almacenada ($\frac{1}{2} CV^2$); Sin embargo, no debe utilizarse rutinariamente para descargar dichos condensadores. Un voltaje o una energía más altos podrían dar como resultado daños al instrumento.

Inductores

Todos los inductores tienen pérdidas resistivas, capacitancia parásita y un campo magnético acoplado externo. Las pérdidas resistivas son el equivalente de la resistencia a las pérdidas en el núcleo y a la resistencia del hilo conductor que forma las vueltas del inductor. Hay capacitancia entre cada vuelta del conductor y cada vuelta alterna. El campo magnético de un inductor puede extenderse fuera del paquete físico del componente.

En su forma más simple, la resistencia puede representarse como una resistencia en serie con la inductancia, y la capacitancia como un condensador en paralelo. El efecto de la autocapacitancia y la inductancia de un inductor en cualquier frecuencia dada se combinan para producir una inductancia neta por debajo de la frecuencia resonante o capacitancia por encima de la frecuencia de resonancia.

En los inductores de valor alto, como los transformadores diseñados para trabajar a 50/60Hz, la frecuencia de autoresonancia puede ser inferior a las frecuencias de prueba más altas del LCR 400. Por encima de la frecuencia de autoresonancia, estos inductores aparecerán como un condensador disipativo. Debido a la naturaleza distribuida de estos parásitos, los valores equivalentes de la resistencia y de la capacitancia cambian con la frecuencia.

El campo magnético filtrado, mientras que normalmente no es significativo en el caso de los inductores torroides de núcleo laminado y de inductores de núcleo de crisol, puede ser importante con los inductores axiales como transformadores reductores de RF y de antenas de centro de ferrita. Esto significa que la inductancia de un dispositivo con un campo magnético 'con fugas' puede variar considerablemente dependiendo de las características de cualquier material conductor o magnético cerca del dispositivo. Cualquier material conductor dentro del campo del dispositivo contendrá corrientes inducidas que a su vez pueden tener el efecto de reducir la inductancia aparente del componente. A la inversa, cualquier material ferromagnético en el área inmediata del componente puede tener el efecto de incrementar la inductancia aparente. En casos extremos, la inductancia de un componente puede parecer que varía, dependiendo de su distancia por encima de las conexiones y de la caja de metal del LCR400.

Los inductores de valor bajo (<100uH) se miden mejor a 10kHz mientras que los valores altos >25H deben medirse a 100Hz. El instrumento avisa si una medición queda fuera de su rango de exactitud máximo, haciendo que destelle el anunciador de la unidad; si la exactitud puede mejorarse cambiando la frecuencia de medición, el anunciador de frecuencia también destellará, véase el apartado de Pantalla.

Conexión serie / paralela

El LCR400 ofrece la capacidad de medir los parámetros de los circuitos equivalentes de serie o paralelo de resistencias, condensadores e inductores.

En el modo Auto el puente utiliza los siguientes modelos.

Resistencia	Serie
Inductor	Serie
Condensador <1 μ F	Paralelo
Condensador >1 μ F	Serie

Éstos proporcionan los parámetros que igualarán los valores de la hoja de datos para la mayoría de los componentes.

Clasificación de componentes

El LCR 400 ofrece amplias funciones para clasificar componentes en 'bins' conforme a su valor. Los parámetros para cada bin pueden definirse desde el teclado o desde un PC a través de la interfaz RS232. Los parámetros binning se guardan con la configuración del instrumento; pueden guardarse hasta 9 configuraciones completas.

Los límites de bin están configurados como porcentajes alrededor de valores nominales y pueden ser oscilación independiente o secuencial (con el mismo nominal) o pueden ser porcentajes alrededor de nominales bastante diferentes; los bins deben, sin embargo, aplicarse al mismo parámetro (R, L o C).

Si sólo se configura un bin, todos los componentes fuera de rango son fallos. Pueden utilizarse hasta 8 bins (0–7) para clasificar sobre las bases del parámetro más grande; el bin 8 puede utilizarse para ajustar límites para el parámetro más pequeño solamente (D, Q o R) y el bin 9 es el bin general de fallos.

Teclas de clasificación

Las teclas que aparecen a continuación están asociadas con la clasificación; se describen con más detenimiento en el apartado siguiente.

Sort (Clasificar)

Enciende y apaga la función de clasificación.

Bin No. (Núm. de bin)

Utilizada para ajustar cada uno de hasta ocho valores bin.

Nominal (Nominal)

Utilizada para ajustar el valor nominal para un bin y el límite para el parámetro más pequeño (bin 8).

Limit (Límite)

Utilizada para ajustar los límites para un bin, en porcentajes.

Teclas numéricas 0-9, • y ±

Se utilizan para introducir los números de bin, los números para guardar los programas, los valores nominales y los límites de los porcentajes.

Ω μH pF

Se utilizan cuando se introducen valores nominales de los componentes para ajustar el multiplicador apropiado.

kΩ mH nF

Se utilizan cuando se introducen valores nominales de los componentes para ajustar el multiplicador apropiado.

MΩ H μF

Se utilizan cuando se introducen valores nominales de los componentes para ajustar el multiplicador apropiado.

Enter (Intro)

Se utiliza para confirmar una entrada numérica (valor, número de bin o número para guardar el programa).

Teclas de memoria/recuperación

Las siguientes teclas se utilizan para guardar y recuperar las configuraciones:

Store (Guardar)

Guarda la configuración completa, incluyendo los valores de binning establecidos, en la memoria no volátil.

Recall (Recuperar)

Recupera hasta nueve configuraciones guardadas.

Pase sencillo / clasificación fallida

Para configurar pase sencillo/configuración fallida, primero ha de seleccionarse el tipo de medición a realizarse, es decir, R+Q, L+Q, C+D o C+R. Ajuste la frecuencia de medición y seleccione la medición de serie o paralela según se requiera.

Nota: Binning no puede ajustarse con el puente en modo Auto.

Selección de bin

Pulse la tecla **Bin No.** para introducir el modo configuración. Pulsaciones sucesivas de la tecla **Bin No.** harán que la pantalla salte a través de las opciones de **binX** (donde **X** es el número de bin), **CLEAR?** (suprime el bin seleccionado), **CLEAR ALL?** (suprime todos los bins) y **End?** (salir del modo de configuración de bin). La primera pulsación de **Bin No.** introducirá la secuencia de opción desde donde se salió la última vez; Pudiera ser necesario pulsar la tecla varias veces hasta obtener la opción deseada.

Si cualquier información previa sobre binning necesita suprimirse, seleccione **CLEAR?** con la tecla de **Bin No.** y pulse **Enter**; la pantalla debe mostrar el mensaje **CLEAR done** y luego **binX** en la parte derecha, lista para el siguiente paso. Si se van a suprimir todos los bins, seleccione **CLEAR ALL?** y siga un procedimiento similar.

Para pase sencillo/clasificación fallida, debe utilizarse el bin 0. El resto de los bins (1 al 7 inclusive) deben estar 'cerrados' ajustando sus límites a cero; de manera alternativa, y más fácil, todos los bins pueden suprimirse utilizando **CLEAR ALL?** antes de ajustar el bin 0. El bin 8 puede utilizarse para ajustar los límites para el parámetro más pequeño (Q, D, o R); las piezas que pasan estos límites van al bin 8. Las piezas que no van ni al bin 0 ni al bin 8 van al bin 9, el bin de fallos generales.

Pulse **Bin No.** hasta que **binX** se muestre en la pantalla. Pulse **0** para seleccionar el bin 0; **bin0** debe ahora verse en la pantalla derecha.

Ajustar el valor nominal

Cuando se muestre **bin0**, pulse la tecla **Nominal**; la pantalla izquierda mostrará ahora seis guiones y **NOM** encima de ellos.

Introduzca el valor nominal requerido, seguido de las teclas de las unidades apropiadas (**kΩ**, **μF**, etc.). Pulse **Enter** para guardar el valor; la pantalla izquierda ahora muestra el valor introducido.

Para editar un valor introducido no tiene más que introducir un valor nuevo y pulsar **Enter**.

Ajustar los límites

Visualizando **bin0**, pulse la tecla **Limit**; la pantalla izquierda muestra ahora seis guiones y **+LIM** encima de ellos. El indicador de las unidades se cambia a **%**.

Introduzca el límite superior permitido de la desviación del nominal para un componente que pase, como un porcentaje, y pulse **Enter**. Observe que el valor mínimo que puede introducirse es 0,1% y la resolución es 0,1%. La pantalla izquierda muestra de nuevo el valor introducido. Para cambiar un valor no tiene más que introducir un valor nuevo y pulsar **Enter**.

Pulse la tecla **Limit** de nuevo; la pantalla izquierda muestra seis guiones pero ahora con **-LIM** encima de ellos. Introduzca el límite inferior permitido de desviación del nominal para un componente que pase, como un porcentaje, y pulse **Enter**. Observe que para un límite inferior al valor nominal es necesario introducir un valor negativo utilizando la tecla **±**. Observe también que los límites no necesitan ser simétricos y pueden incluso ambos estar por encima del nominal o ambos debajo del nominal. Si no se introduce un límite **-LIM**, se asume que los límites son simétricos por encima del valor nominal, p. e. si el límite superior ha estado ajustado a +0,5%, el límite inferior se ajusta por defecto en -0,5%.

El límite inferior (**-LIM**) puede ajustarse por encima del límite superior (**+LIM**) pero el modo existente de configuración y seleccionar Sort dará **Err bin0**.

Límites del parámetro más pequeño

Para ajustar el límite del parámetro más pequeño (Q, D o R) seleccione el bin 8; haga esto utilizando la tecla **Bin No.** hasta que se muestre **BinX**, a continuación introduzca **8. bin8** se visualizará ahora en el lado izquierdo de la pantalla.

Para introducir el límite pulse **Nominal**; en la parte derecha de la pantalla aparecerá el indicador del parámetro más pequeño (Q, D o R) y en este momento debe introducirse el valor del límite, utilizando el teclado. Pulse **Enter** (Intro) para confirmar el límite.

Las piezas que no pasan el límite del parámetro más pequeño del bin 8 pasarán al bin 8 independientemente de si el parámetro más grande pasa los límites del bin 0. El uso del bin 8 es optativo; no es necesario ajustar un límite y si el límite se deja 'cerrado' (el estado por defecto, indicado por guiones) el bin 8 se ignorará.

Bin de fallos

Las piezas que no entran en el bin 0 o en el bin 8 se asignan al bin 9, el bin de fallos generales.

Utilizar clasificar

Habiendo configurado el bin 0, pulse **Bin No.** hasta que se muestre **End?** en la pantalla y pulse **Enter** para salir del modo de configuración.

Pulse **Sort (Clasificar)** para encender la función clasificar. Las piezas que pasen los límites de porcentaje del parámetro más grande se indicarán mediante **PASS bin0** en la pantalla; las piezas que fallen los límites del parámetro más pequeño del bin 8 (si ajustado) se indicarán mediante **FAIL bin8**, las piezas que no entren ni el bin 0 ni en el bin 8 se indicarán mediante **FAIL bin9**.

Guardar las configuraciones de la clasificación

Para guardar una configuración Sort pulse la tecla **Store (Guardar)**; la pantalla muestra **store?**. Pulse una tecla del **1** al **9** seguido de **Enter**; después de unos segundos la pantalla derecha mostrará **done** para indicar que se ha guardado la configuración. El nominal de binning y los límites se guardan, junto con la Function (Función), Frequency, Mode, etc. utilizados para configurar Sort .

Para recuperar una configuración de Sort pulse **Recall (Recuperar)**, el número guardado (del **1** al **9**), y **Enter**. La pantalla muestra **rc1 done** cuando la configuración se ha vuelto a cargar de la memoria volátil.

Observe que la memoria 0 contiene los ajustes por defecto de fábrica; éstos pueden cargarse pulsando **Recall, 0, Enter**. La memoria 0 no puede sobrescribirse pulsando **Store, 0, Enter** y por lo tanto no puede utilizarse para guardar la información de binning.

Clasificación de bins múltiples

El LCR400 soporta dos programas diferentes para clasificación de bins múltiples, oscilación independiente y secuencial.

Los bins de oscilación independiente (o anidada) tienen un valor nominal y límites simétricos progresivamente mayores. Los bins secuenciales también pueden tener un valor nominal pero límites asimétricos (p. e. -5% a -2% , -2% a $+2\%$, $+2\%$ a 5%) o pueden tener valores nominales diferentes, cada uno de ellos con sus propios límites de porcentaje.

Al igual que con pase sencillo/clasificación fallida, el bin 8 es el bin de fallos para el parámetro más pequeño apropiado y el bin 9 es el bin general de fallos.

Los programas de clasificación de bins múltiples pueden ser bastante complicados; por consiguiente es una buena idea escribir la configuración de binning antes de iniciar la programación y guardar la configuración una vez que se haya completado el programa.

Clasificación superpuesta

La clasificación superpuesta se utiliza cuando los componentes han de clasificarse en bins conforme a su desviación de un valor nominal, por ejemplo, clasificación de un valor particular de una resistencia en selecciones de $\pm 0,1\%$, $\pm 0,5\%$ y $\pm 1\%$.

Para configurar este tipo de binning selecciónese primero el tipo de medición a realizarse, p.e. R + Q, ajuste la frecuencia de medición y seleccione el modo serie o paralelo según se requiera.

Seleccione el 0 y ajuste el valor nominal y la tolerancia más estrecha a seleccionarse (p.e. $0,1\%$ en el caso del ejemplo) utilizando las teclas **Nominal** y **Limit** exactamente como se describen para pase sencillo/prueba fallida. Observe que, puesto que los límites son simétricos, sólo es necesario ajustar **+LIM** a $0,1\%$; si **-LIM** está 'cerrado' (se muestran guiones en la pantalla) el límite inferior es automáticamente $-0,1\%$.

A continuación seleccione bin 1 de manera similar a la del bin 0 y ajuste sus límites a la siguiente tolerancia estrecha (p.e. $0,5\%$ para el ejemplo). Igual que para el 0 sólo es necesario ajustar el **+LIM** a $0,5\%$; **-LIM** revertirá por defecto a $-0,5\%$ si no se ajusta ningún límite. Observe también que no es necesario ajustar un nominal para el bin 1 (ni para cualquier bin sucesivo que utilice el mismo nominal); Si el nominal se deja 'cerrado' (en la pantalla se muestran guiones) el nominal del bin inferior siguiente, en este caso el bin 0, se utiliza automáticamente. Observe que si el bin 0 no tiene un valor nominal ni límites, seleccionando Sort hará que la pantalla muestre el mensaje **Err bin0**.

Ajuste el límite **+LIM** del bin 2 a 1% para completar el ejemplo dado.

Ajuste el límite de término inferior (Q en el caso de las mediciones R + Q) en el bin 8 si fuese requerido; el bin 8 se ignora si el límite está 'cerrado' (en la pantalla aparecen guiones).

Las piezas que recaen en más de un bin se asignan al bin con el número más bajo. Por lo tanto las tolerancias más estrechas deben asignarse al bin con el número más bajo, como en el ejemplo.

Los bins no utilizados deben 'cerrarse' (indicado por guiones) utilizando la función suprimir bin.

Las piezas que no entran en los de pases o en el bin 8 se asignan al bin 9, el bin de fallos generales.

Clasificación secuencial

La clasificación secuencial con el mismo nominal puede configurarse esencialmente de la misma forma que para la clasificación superpuesta, con un valor nominal solamente definido para el bin 0. Sin embargo, cada bin necesitará que se definan ambos límites superior (**+LIM**) e inferior (**-LIM**). Por ejemplo, para clasificar una resistencia particular en las bandas -2% a -1% , $\pm 1\%$, y $+1\%$ a $+2\%$, el bin 0 tiene su **NOM** ajustado al valor nominal de la resistencia, **+LIM** ajustado a -1% y **-LIM** ajustado a -2% ; el bin 1 no tiene un valor **NOM** y su **+LIM** está ajustado a $+1\%$ y su **-LIM** a -1% ; el bin 2 tampoco tiene un valor **NOM**, su **+LIM** está ajustado a $+2\%$ y su **-LIM** está ajustado a $+1\%$.

La clasificación secuencial con diferentes nominales puede de nuevo configurarse esencialmente de la misma forma pero esta vez cada bin tiene el **NOM** ajustado a su nominal respectivo. Si el límite asociado con cada nominal es simétrico, entonces sólo es necesario ajustar el **+LIM**, pero si son asimétricos entonces el **-LIM** también necesitará ajustarse.

En ambos programas el bin 8 puede ajustarse con el límite para el término más pequeño, si se requiere, exactamente como se describe anteriormente.

Cualquier pieza que no entre en los bins de pases o en el bin 8, incluyendo cualquier 'abertura' entre los límites de los bins secuenciales se asignan al bin 9, el bin de fallos generales.

Guardar y recuperar configuraciones de clasificación

Las configuraciones para la clasificación de bins múltiples se guardan y se pueden recuperar de la memoria no volátil, exactamente como se describe para pase sencillo/clasificación fallida.

General

El instrumento puede controlarse remotamente a través de la interfaz RS232.

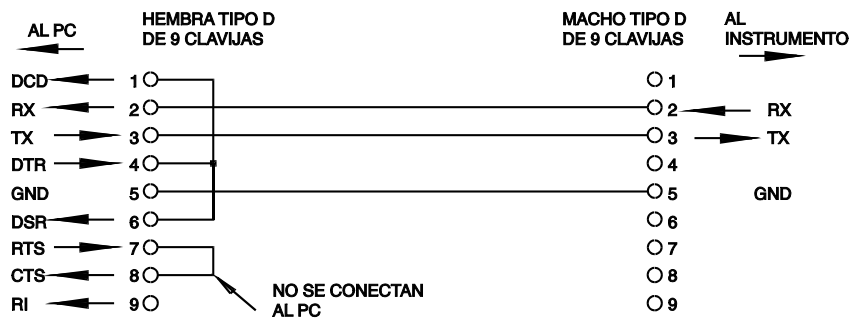
Durante el encendido el instrumento estará en el estado local con el indicador REMote (REMoto) apagado. Cuando se reciba un comando se introducirá el estado remoto y el indicador REMote se encenderá. El teclado no está bloqueado, el instrumento puede volver al estado local cuando se pulsa cualquier tecla; sin embargo, el efecto de esta acción sólo permanecerá hasta que el instrumento reciba otro carácter de la interfaz, cuando el estado remoto se introduzca una vez más. El formato del comando remoto y los propios comandos remotos se describen en el capítulo Comandos remotos.

Conexión RS232

La conexión tipo D de 9 clavijas de interfaz de serie está situada en el panel posterior del instrumento. Las conexiones de la clavija se describen a continuación:

Clavija	Nombre	Descripción
1	DCD	Conectada a las clavijas 4 y 6
2	TXD	Datos transmitidos del instrumento
3	RXD	Datos recibidos del instrumento
4	DTR	Conectada a las clavijas 1 y 6
5	GND	Señal de tierra
6	DSR	Conectada a las clavijas 1 y 4
7	RTS	Conectada a la clavija 8
8	CTS	Conectada a la clavija 7
9	-	Sin conexión interna

Conectar a un PC con un cable que tenga las clavijas 2, 3 y 5 cableadas más las clavijas 1, 4 y 6 y las clavijas 7 y 8 conectadas en el extremo del PC. De manera alternativa, puesto que los puentes de conexión están hechos dentro del instrumento, puede utilizarse un cable totalmente cableado 1-a-1.



Los parámetros de interfaz se ajustan como se describe a continuación:

Tasa en Baudios:	9600
Bits de inicio:	1
Bits de datos:	8
Paridad:	Ninguna
Bits de parada:	1

Juego de caracteres RS232

Puede utilizarse cualquier código ASCII. El bit 7 de los códigos ASCII se ignora, es decir, se asume que es bajo. No se hace distinción entre caracteres en mayúsculas y en minúsculas en comandos mnemónicos y pueden mezclarse a voluntad. Los códigos de control ASCII entre 00H y 31H se ignoran, excepto para 0AH (Alimentación de línea, LF) que se utiliza como un terminador de comando.

Formatos de comandos remotos RS232

La entrada de serie al instrumento está amortiguada en una cola de entrada que se llena, bajo interrumpir, en forma transparente a todas las otras operaciones del resto de los instrumentos. Esta cola contiene datos de comandos brutos (sin analizar sintácticamente) que se toman, por el programa de análisis sintáctico, según se requiera. Los comandos (y las consultas) se ejecutan por orden y el programa de análisis sintáctico no iniciará un comando nuevo hasta que se complete cualquier comando o consulta anteriores.

Los comandos (y las consultas) deben enviarse según se especifica en la lista de comandos y debe terminarse con el código de terminación de comandos 0AH (Line Feed (Alimentación de línea), LF). Obsérvese que los parámetros están separados del encabezamiento del comando por un espacio (20H) y que los parámetros múltiples están separados por comas (2CH).

Las respuestas a los comandos o a las consultas se envían inmediatamente; no hay cola de salida. El controlador debe esperar para la respuesta a un comando o consulta antes de que se envíe el siguiente comando o consulta.

El instrumento responde al controlador después de cada comando bien con 'Aceptar' si el comando se completó con éxito, o con 'ERRnn' si el comando no se aceptó; nn es el número de error, véase la lista al final de este apartado. El instrumento responde al controlador después de cada consulta como se especifica en la lista de comandos. En todos los casos cada respuesta se termina con 0DH (Carriage Return (Retorno del carro), CR) seguido de 0AH (Line Feed, LF).

<EL ESPACIO EN BLANCO> se define como los códigos de caracteres 00H a 20H inclusive. <EL ESPACIO EN BLANCO> se ignora excepto en los identificadores de comandos. p.e. '*C LS' no es equivalente a '*CLS'.

El bit alto de todos los caracteres se ignora.

Los comandos no son sensibles a mayúsculas/minúsculas.

Lista de comandos

Esta sección enumera todos los comandos y las consultas implementadas en este instrumento. Los comandos se enumeran en orden alfabético dentro de los grupos de funciones.

Se utiliza la siguiente nomenclatura:

<rmt>	<TERMINADOR DE MENSAJE DE RESPUESTA>, CR seguido de LF
<nrf>	Un número en cualquier formato. p. e. 12, 12-00, 1-2 e1 y 120 e-1 son todos aceptables como el número 12. Cualquier número, cuando se reciba, se convierte a la exactitud requerida, consistente con el uso y redondeado hacia arriba para obtener el valor del comando.
<nr1>	Un número sin ninguna parte fraccional, es decir un número entero.

Comandos de configuración de la medición

BIASOFF	Deshabilita la polarización interna.
BIASON	Habilita la polarización interna.
FREQ <nr1>	Ajusta la frecuencia de la siguiente forma: <1> ajusta 100Hz o 120Hz según determinado por el puente del hardware interno. <2> ajusta 1kHz. <3> ajusta 10kHz.
FUNC <nr1>	Ajusta la función de medición de la siguiente forma: <0> ajusta Auto <1> ajusta R + Q <2> ajusta L + Q <3> ajusta C + D <4> ajusta C + R

HOLDOFF	Deshabilita Range Hold.
HOLDON	Habilita Range Hold.
MODE <nr1>	Ajusta el modo del circuito equivalente de la siguiente forma: <1> ajusta el modo de Serie. <2> ajusta el modo Paralelo.
ZEROCON	'Anula' la capacitancia residual (hasta 100pF) en las terminales de medición; el valor medido se sustrae de todas las lecturas subsiguientes C + D o C + R hasta que se apaga Zero C . Solamente puede utilizarse con una función de capacitancia ya seleccionada.
ZEROCOFF	Deshabilita la función Zero C .

Comandos de lecturas de mediciones

READALL?	<p>Devuelve los valores del parámetro más grande, del más pequeño y del número de bin de la lectura completada inmediatamente después de que el comando se ha analizado sintácticamente.</p> <p>La sintaxis de la respuesta es <ASCII data><rmt>, donde <ASCII data> consiste de tres valores separados por comas.</p> <p>Los valores superior e inferior se devuelven como una cadena de caracteres de la forma X=n.nnnnE±nn donde X = R, L, C, Q o D y n es un número decimal. Las unidades son Ohmios para R, Henrys para L y faradios para C.</p> <p>Por ejemplo:</p> <table> <tr> <td>R=2,0000E+3</td> <td>es 2kΩ</td> </tr> <tr> <td>L=1,5000E-6</td> <td>es 1,5μH</td> </tr> <tr> <td>C=18,000E-12</td> <td>es 18Pf</td> </tr> <tr> <td>Q=2,56</td> <td>es Q = 2,56</td> </tr> <tr> <td>D=0,015</td> <td>es D = 0,015</td> </tr> </table> <p>El número de bin se devuelve de BIN=n, donde n es un número decimal. Cuando binning no está activo, se devuelve NOBIN.</p> <p>Algunos ejemplos de respuestas completas son:</p> <table> <tr> <td>L=1,5000E-6,Q=2,18,NOBIN<rmt></td> </tr> <tr> <td>C=186,97E-6,R=0,2015,BIN=2<rmt></td> </tr> <tr> <td>R=384,30E-3,Q=0,0004,BIN=1<rmt></td> </tr> </table>	R=2,0000E+3	es 2kΩ	L=1,5000E-6	es 1,5μH	C=18,000E-12	es 18Pf	Q=2,56	es Q = 2,56	D=0,015	es D = 0,015	L=1,5000E-6,Q=2,18,NOBIN<rmt>	C=186,97E-6,R=0,2015,BIN=2<rmt>	R=384,30E-3,Q=0,0004,BIN=1<rmt>
R=2,0000E+3	es 2kΩ													
L=1,5000E-6	es 1,5μH													
C=18,000E-12	es 18Pf													
Q=2,56	es Q = 2,56													
D=0,015	es D = 0,015													
L=1,5000E-6,Q=2,18,NOBIN<rmt>														
C=186,97E-6,R=0,2015,BIN=2<rmt>														
R=384,30E-3,Q=0,0004,BIN=1<rmt>														
READMAJ?	Devuelve el valor del parámetro más grande solamente, en el formato descrito anteriormente para READALL?													
READMIN?	Devuelve el valor del parámetro más pequeño solamente, en el formato descrito anteriormente para READALL?													
READBIN?	Devuelve el valor del número de bin solamente, en el formato descrito anteriormente para READALL?													

Comandos de binning

BINCLEAR	Suprime los valores nominales y los límites de todos bins; esto también tiene el efecto de deshabilitar Sort, si se selecciona.
BINNOM <nr1>,<nrf>	Ajusta el nominal del Bin <nr1> al valor <nrf>; <nr1> puede ser 0 a 8 (9 es el bin de fallos generales). Observe que el Bin 8 es siempre el bin del término más pequeño (Q, D o R) El valor nominal <nrf> está relacionado con la función seleccionada en el momento en el que se define el primer bin; otros bins definidos se relacionan con la misma función. Seleccionando Sort forzará esa función seleccionada. Si no se ajusta un valor nominal para un bin, se utilizará automáticamente el valor nominal para el bin siguiente más bajo. El bin activo con el número más bajo debe tener ajustado un valor nominal; El bin 0 siempre debe ajustarse para que pueda realizarse el binning.
BINNOM? <nr1>	Devuelve el valor nominal del bin <nr1> en la forma de <nrf><rmt>.
LIMHI <nr1>,<nrf>	Ajusta el límite superior del Bin <nr1> a <nrf>%. El límite superior debe ajustarse antes que el límite inferior.
LIMHI? <nr1>	Devuelve el límite superior del Bin <nr1>.
LIMLO <nr1>,<nrf>	Ajusta el limite inferior del Bin <nr1> a <nrf>%. El limite inferior debe ajustarse por debajo del limite superior (que debe haberse ajustado primero). Si no se ajusta un límite inferior, el instrumento utilizará el negativo del límite superior, es decir, los límites serán simétricos acerca del nominal.
LIMLO? <nr1>	Devuelve el límite inferior del Bin <nr1>. Nota: Los límites pueden ajustarse para los bins sin un valor nominal; el nominal usado será el del bin siguiente más bajo que tenga ajustado un nominal.
SORTON	Permite el binning (sort). Permite la configuración de las fuerzas de clasificación de la función de medición asociada con la configuración del binning. Sort solamente puede habilitarse si al menos uno de los bin se ha definido.
SORTOFF	Deshabilita el binning (sort).

Comandos del sistema

RST	Repone el instrumento a los ajustes por defecto del encendido.
RCL<nr1>	Recupera la configuración del instrumento contenida en el número guardado <nr1>. Los números guardados validos son 0 - 9. Recuperar guardado 0 ajusta todos los parámetros a los ajustes por defecto del encendido. Cualquier intento de recuperar de una memoria que no ha sido cargada anteriormente con una configuración dará como resultado un error.
SAV<nr1>	Guarda la configuración completa del instrumento en el número de memoria <nr1>. Los números de memoria validos son 1 – 9.

Comandos de estado

*LRN?	Devuelve la configuración completa del instrumento como un bloque de datos e caracteres hexadecimales. La sintaxis de la respuesta es LRN <data><rmt>. Para volver a instalar la configuración devuelva el bloque exactamente como lo recibió, incluyendo el encabezamiento LRN al principio del bloque, véase abajo. Los ajustes en el instrumento no se ven afectados por la ejecución del comando *LRN?.
LRN <character data>	Instala datos de un comando *LRN? anterior. Observe que el encabezamiento LRN lo suministra el bloque de respuesta *LRN?.

Comandos misceláneos

*IDN?	Devuelve la identificación del instrumento. La respuesta exacta está determinada por la configuración del instrumento y tiene la forma <NOMBRE>,<modelo>, 0, <versión><rmt> donde <NOMBRE> es el nombre del fabricante, <modelo> define el tipo de instrumento y <versión> es el nivel de revisión del software instalado.
-------	--

Comandos de especificación de la calibración

Véase el Manual de servicio para más información sobre los comandos específicos para la calibración.

Números de error

El instrumento responde al controlador tras cada comando con un 'OK' si este se ha completado con éxito o con 'ERRnn' si no fue aceptado. Los comandos no serán aceptados aunque sean correctos si los parámetros están fuera de rango (p.ej. 'FREQ 5' retornará 'ERR1'), o si el comando es correcto pero no puede ser ejecutado (p.ej. ZEROCON con resistencia seleccionada). En el caso de los comandos con '?', el error se retorna en caso de que no haya nada configurado para devolver un valor. Por ejemplo, 'ERR8' si no se ha configurado un límite superior para el Bin seleccionado. Si el comando no puede ser reconocido, no se retorna ni 'OK' ni 'ERRnn'.

Lista de códigos de error

Estos son los comandos asociados a los distintos números de error:

Nº de error	Comando	Nº de error	Comando
1	FREQ <nr1>	10	LIMHI <nr1>,<nrf>
2	FUNC <nr1>	11	LIMLO <nr1>,<nrf>
3	MODE <nr1>	12	SORTON
4	ZEROCON	13	RCL <nr1>
5	ZEROCOFF	14	RST
6	BINNOM <nr1>,<nrf>	15	SAV <nr1>
7	BINNOM? <nr1>	16	*LRN?
8	LIMHI? <nr1>	17	LRN <datos>
9	LIMLO? <nr1>	18	READALL?

El error 18 se devuelve como respuesta a un READALL? cuando no hay una medición válida. Por ejemplo, en caso de que la pantalla indique "fuera de rango".

Los fabricantes o sus agentes en el extranjero ofrecerán un servicio de reparación para cualquier unidad que desarrolle una avería. Cuando los usuarios deseen llevar a cabo su propio programa de mantenimiento, éste sólo debe llevarse a cabo por personal capacitado en conjunción con el manual de servicio que puede adquirirse directamente del fabricante o de sus agentes en el extranjero.

Limpieza

Si fuese necesario limpiar el instrumento, utilícese un paño ligeramente humedecido con agua o con un detergente suave.

¡AVISO! A FIN DE EVITAR EL PELIGRO DE DESCARGA ELÉCTRICA O DAÑOS AL INSTRUMENTO, NUNCA PERMITA QUE SE INTRODUZCA AGUA EN EL INTERIOR DE LA CAJA. PARA EVITAR DAÑAR LA CAJA NO LA LIMPIE CON DISOLVENTES.

Limpieza del contacto de la conexión

Asegúrese que las superficies de contacto de las conexiones Kelvin no estén contaminadas. Los contactos tanto de las conexiones incorporadas como de los adaptadores axiales están fabricadas de acero inoxidable de la más alta calidad, pero pueden recoger suciedad del entorno de los cables de los componentes insertados en la conexión. Ocasionalmente, limpie las conexiones, introduciendo un trozo limpio de cartón duro entre ellas, con un movimiento suave hacia delante y hacia atrás. En casos extremos, el cartón puede estar humedecido con una solución limpiadora adecuada.



Thurlby Thandar Instruments Ltd.

Glebe Road • Huntingdon • Cambridgeshire • PE29 7DR • England (United Kingdom)

Telephone: +44 (0)1480 412451 • Fax: +44 (0)1480 450409

International web site: www.aimtti.com • UK web site: www.aimtti.co.uk • USA web site: www.aimtti.us

Email: info@aimtti.com

