

# Data Sheet

## TECHNICAL SPECIFICATIONS

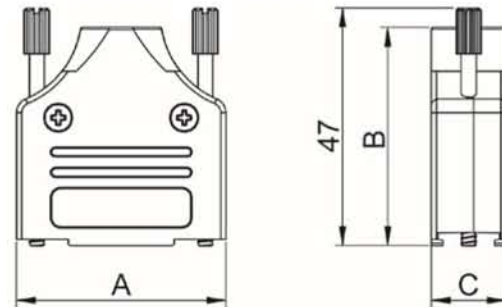
### D-Sub Hood:

- Material: Zinc, Nickel Plated
- Operating Temperature: -40°C to +120°C
- Cable Entry: Top Entry
- Thumbscrews: UNC 4-40 (Standard)
- Cable O.D: Up to 13mm



### D-Sub High Density:

- Insulator: PBT, Black, UL94 V-0
- Shell: Stamped Steel, Tin Plated
- Contact pins: Copper Alloy
- Stamped & Formed pins: 100 inserts min
- Contacts Plating: Selective Gold over Nickel
- Operating Temperature: -55°C to +105°C
- Withstanding voltage: 500V for 1 minute
- Insulator resistance: 500MΩ min



Size MHDM	Dim A	Dim B	Dim C
9-way	32,2	41,3	15,4
15-way	40,6	43,3	15,4
25-way	54,5	49,5	15,4
37-way	70,7	54,3	15,4