

## Data Sheet

### TECHNICAL SPECIFICATIONS

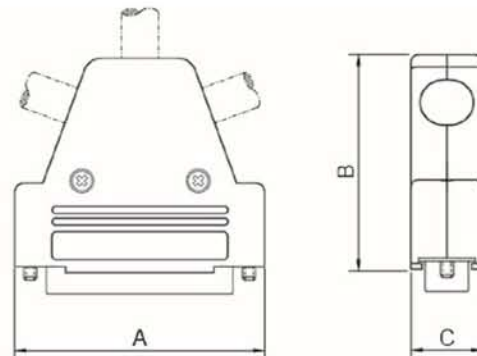
#### D-Sub Hood:

Material:	UL 94 V-0 Plastic Material
Operating Temperature:	-55°C to +110°C
Cable Entry:	Side / Top / Side
Thumbscrews:	UNC 4-40 (Standard)
Cable O.D:	Up to 11,5mm
Colour:	Black



#### D-Sub High Density:

Insulator:	PBT, Black, UL94 V-0
Shell:	Stamped Steel, Tin Plated
Contact pins:	Copper Alloy
Stamped & Formed pins:	100 inserts min
Contacts Plating:	Selective Gold over Nickel
Operating Temperature:	-55°C to +105°C
Withstanding voltage:	500V for 1 minute
Insulator resistance:	500MΩ min



Size TRI-P	Dim A	Dim B	Dim C
9-way	31,0	45,2	15,0
15-way	40,3	45,2	15,0
25-way	53,5	45,2	15,0
37-way	70,0	45,2	15,0