

# Data Sheet

## TECHNICAL SPECIFICATIONS

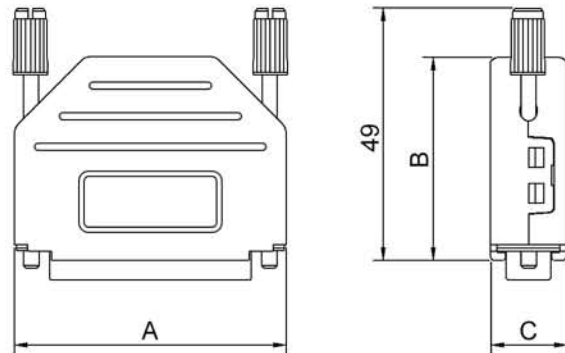
### D-Sub Hood:

- Housing material: Polyamid, UL-recognised
- Operating Temperature: -55°C to +105°C
- Cable Entry: Top
- Thumbscrews: UNC 4-40 (Standard)
- Cable O.D: Up to 11,5mm



### Male D-Sub Solder Cup:

- Insulator: PBT, Black, UL94 V-0
- Shell: Steel, Tin Plated
- Contact pins: Copper Alloy
- Stamped & Formed Pins: Class 3, 100 inserts min.
- Machined Contact Pins: Class 1, 500 inserts min.
- Contact Plating: Selective Gold over Nickel
- Operating Temperature: -55°C to +105°C
- Withstanding voltage: 1000V for 1 minute
- Insulator resistance: 1000MΩ min.



Size	Dim A	Dim B	Dim C
9-way	31,5	34,0	15,0
15-way	40,0	34,0	15,0
25-way	53,5	34,0	15,0
37-way	70,0	40,0	15,0
50-way	67,5	40,0	19,0