

Data Sheet

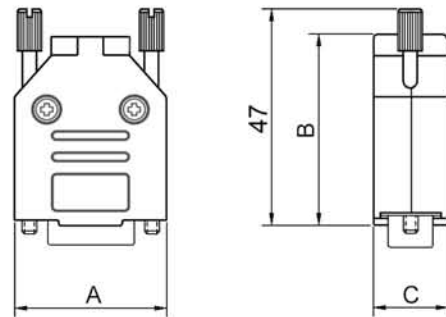
TECHNICAL SPECIFICATIONS

D-Sub Hood:

Material: UL 94 V-0 Plastic Material
 Operating Temperature: -55°C to +110°C
 Cable Entry: Top
 Thumbscrews: UNC 4-40 (Standard)
 Cable O.D: Up to 11,5mm
 Colour: Black

Male D-Sub Solder Cup:

Insulator: PBT, Black, UL94 V-0
 Shell: Steel, Tin Plated
 Contact pins: Copper Alloy
 Stamped & Formed Pins: Class 3, 100 inserts min.
 Machined Contact Pins: Class 1, 500 inserts min.
 Contact Plating: Selective Gold over Nickel
 Operating Temperature: -55°C to +105°C
 Withstanding voltage: 1000V for 1 minute
 Insulator resistance: 1000MΩ min.



| Size DTPK-P | Dim A | Dim B | Dim C |
|-------------|-------|-------|-------|
| 9-way | 31,2 | 39,9 | 15,0 |
| 15-way | 39,5 | 41,5 | 15,0 |
| 25-way | 53,4 | 48,6 | 15,0 |
| 37-way | 69,7 | 53,6 | 15,0 |