

KODAK LUMA 150
PORTABLE WIRELESS PROJECTOR



User Manual

3.9"H | 3.9"W | 0.87"D (9.9 cm | 9.9 cm | 2.2 cm)

Please read all directions before using the product and retain this guide for reference.

CONTENTS

1	INTRODUCTION	3
2	SPECIFICATIONS	3
3	BOX CONTENTS	3
4	SAFETY PRECAUTIONS	3-4
5	PRODUCT OVERVIEW	4
6	CHARGING THE PROJECTOR	5
7	USING THE PROJECTOR TO CHARGE DEVICES	5
8	USING THE AUDIO OUT JACK	5
9	POWERING THE PROJECTOR ON/OFF	6
10	CONTROLLING PHOTO PLAYBACK	6
11	CONTROLLING VIDEO PLAYBACK	6
12	SCREEN MIRRORING	7-8
13	WIRELESS SETTINGS AND SOFTWARE UPDATES	8-9
14	ADJUSTING FOCUS	9
15	ADJUSTING VOLUME	10
16	CONNECT YOUR DEVICE	10
17	VIEWING DISTANCE AND SCREEN SIZE	11
18	USING THE PROJECTOR	11
19	CUSTOMER SERVICE	11
20	WARRANTY	12-13

1. INTRODUCTION

Thank you for purchasing the KODAK LUMA 150 PORTABLE WIRELESS PROJECTOR . This User Guide is intended to provide you with guidelines to ensure that operation of this product is safe and does not pose risk to the user. Any use that does not conform to the guidelines described in this User Guide may void the limited warranty.

Please read all directions before using the product and retain this guide for reference. This product is intended for household use only.

This product is covered by a limited one-year warranty. Coverage is subject to limits and exclusions. See warranty for details.

2. SPECIFICATIONS

Rated Input: 5V, 2.4A

Rated Output: 5V, 1.0A

ANSI Lumens: 50

Native Resolution: 854 x 480

3. BOX CONTENTS

KODAK LUMA 150

HDMI®-to-HDMI® Cable

Power Cable/Power Adapter

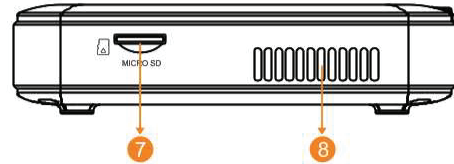
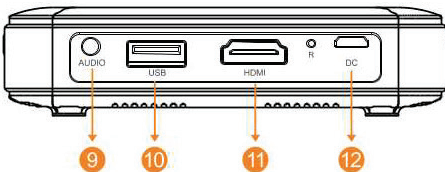
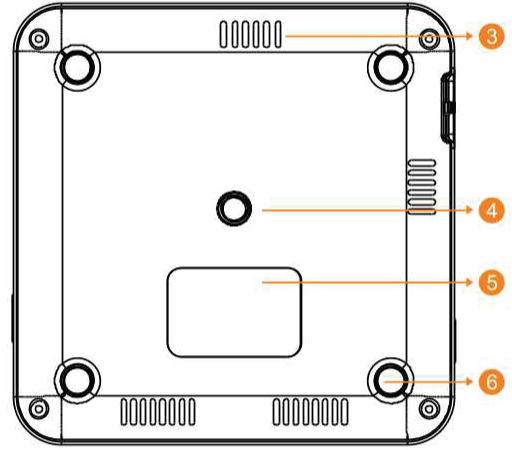
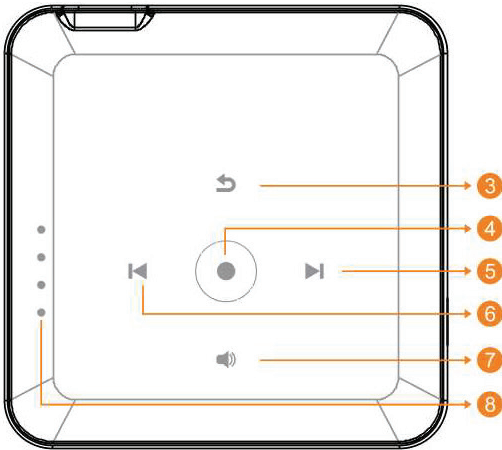
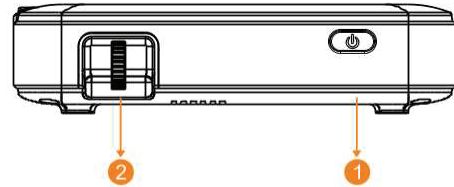
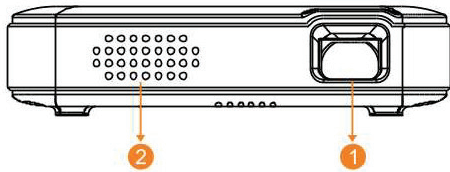
User Guide

4. SAFETY PRECAUTIONS

- Do not attempt to disassemble this device for any reason.
- Do not store the projector in areas where it will be exposed to high temperatures, humidity, or direct sunlight. Exposure to any or all of these could permanently damage the projector.
- Never handle the projector with damp or wet hands. This could damage the projector or create the risk of electric shock.
- Keep the projector out of the reach of children.
- Never point the projector at someone else's face or look directly into the projector light. The light is bright and could cause damage.
- Do not use products such as alcohol, gasoline, diluent, or any other organic solvent when cleaning or attempting to clean this product.
- Do not use this device in an environment where it will be exposed to heavy dust or humidity/moisture.
- Never drop or shake the projector, as this could cause it to malfunction or permanently damage the inside parts.
- Do not use the projector while bathing or in a shower.
- Do not place or store the projector where it can fall or be pulled into a tub or sink.

- Do not place, drop, or submerge the projector in water or any other liquid.
- If the projector somehow falls into water despite you taking all of the above precautions, please do not reach into the water to retrieve it. Unplug it immediately and then retrieve it.
- Take care that objects do not fall and liquids are not spilled onto the projector.

5. PRODUCT OVERVIEW

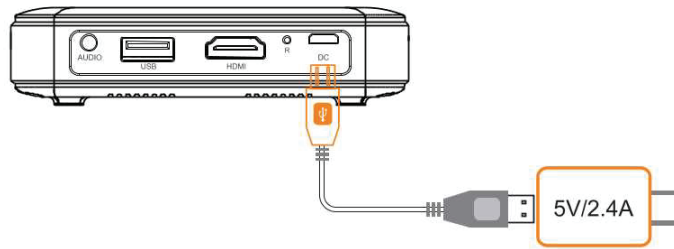


1. Lens
2. Speaker
3. Back
4. Confirm / Play / Pause
5. Right / FF / Volume +
6. Left / REW / Volume -
7. Volume Switch
8. Power Indicator
9. Audio Output (3.5mm)
10. USB Input / Power Out
11. HDMI Input
12. Micro USB Input (5V/2.4A)
13. Reset

1. Power
2. Focus Wheel
3. Air Inlet
4. Tripod Dock
5. Rating Label
6. Non-slip Mat
7. MicroSD Slot
8. Speaker

6. CHARGING THE PROJECTOR

Before using the projector, connect it to the charger, plug the USB end of the charging cable into a wall charger or similar power source and allow it to fully charge. This process should take about three hours.

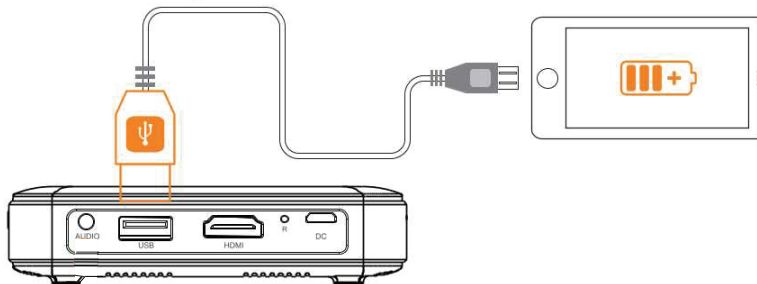


Always use the original charger that was provided to ensure proper charging, and make sure the power rating of the adapter for the charging cable is $\leq 2.4A$.

The four indicator lights will show the approximate battery capacity, with each light representing approximately 25% battery life. One indicator light lit means the battery is at less than 25% and should be charged soon. Two lights means the battery percentage is between 25% and 49%, and so on. Four lights lit means that battery is fully charged.

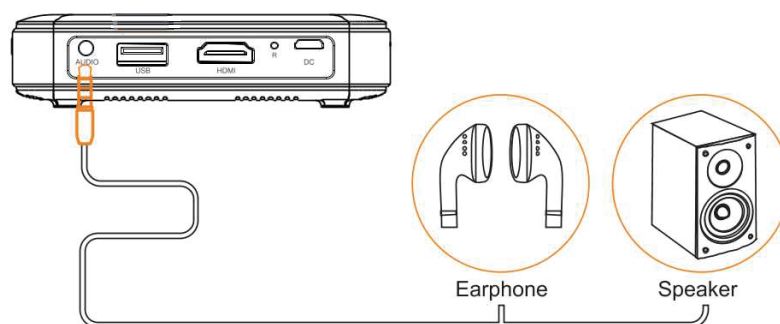
7. USING THE PROJECTOR TO CHARGE DEVICES

When the projector is powered on, you can connect the charging cable of your device to the USB port of the projector, and it will operate as a mobile power bank to charge your electronic devices. The power output is 5V/1A.



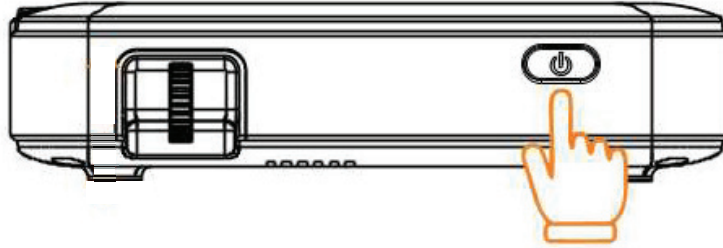
8. USING THE AUDIO OUT JACK

While the projector does include built-in speakers for regular use, you can also connect either headphones or a portable speaker to the 3.5mm AUDIO OUT jack as shown in the below image.



9. POWERING THE PROJECTOR ON/OFF

To turn the projector on or off, simply hold the power button on the side for three (3) seconds. Once powered on, the projector's main menu will display the remaining battery percentage.



10. CONTROLLING PHOTO PLAYBACK


If you have a gallery of photo files, your projector will automatically begin a slideshow of all photos on your device. In slideshow mode, each photo will automatically display in the order they are stored.

To access the controls during playback, you will first need to tap the center circle button on top of the projector to bring up the control menu. Then you may perform the following actions:

1. Pause the slideshow: tap the center circle button. Tap it again to resume.
2. Play next image: tap the > button.
3. Return to previous image: tap the < button.

11. CONTROLLING VIDEO PLAYBACK

To access the controls during your video's playback, you will first need to tap the center circle button on top of the projector to bring up the control menu. Then you may perform the following actions:

1. Pause video: tap the center circle button. Tap it again to resume.
2. Fast forward: tap the > button. To increase the fast forward speed, tap the button again. Each press will increase the speed in this order: 2x, 4x, 8x, 16x.
3. Rewind: tap the < button. To increase the rewind speed, tap the button again. Each press will increase the speed in this order: 2x, 4x, 8x, 16x.
4. Exit video playback: Tap the  button to return to the list of video files available for playback. Tap the button a second time to exit out to the main menu completely.

12. SCREEN MIRRORING

This projector allows you to share the screen from your compatible iOS, Android™, or Windows® 10 device. Follow these steps to activate the screen sharing function:

1. Open the menu option, Wireless. The name of the device and the password to connect to it will appear at the top of the screen. It will be KODAK-XXXXXX (where all the X's are integers between 0-9) and the password will be 12345678.



2. Open your device's wireless settings, and you should see a secure wireless network with the KODAK-XXXXXX name. Select that network and enter the password (12345678).
3. Once connected to the wireless network, activate your device's screen mirroring software and let it scan for devices.
 - a. To activate screen mirroring on your Android™ device:
 - i. On Samsung devices, swipe down from the top notification bar to the expanded view, and then swipe left (if necessary) and touch the "SmartView" icon to activate screen sharing.

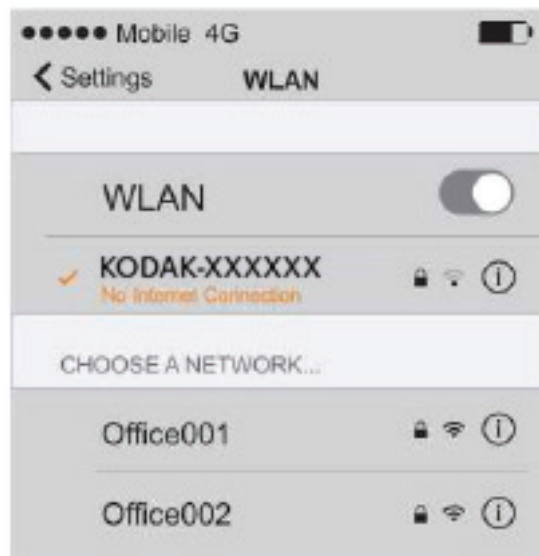
NOTE: Check your device settings for the screen casting/screen mirroring options. The name of the function may vary by device model and service carrier. Other names used may include, Cast, or Screen Mirroring, as well as Smart View. All devices must be running at least Android version 4.1.2.
 - b. To activate screen mirroring on your iOS device:
 - i. Swipe down to reveal the Control Center and tap the Screen Mirroring button.
 - c. To activate screen mirroring on your Windows® 10 device:
 - i. From the start menu, select Settings.
 - ii. In the Settings menu, select Devices.
 - iii. On the left side of the Devices menu, select Connected Devices, and then click Add a Device.
4. Select the projector from the list of compatible devices.
5. When connected, the screen from your device will be mirrored to the projector, so you can then use your device to play videos, share images, etc.
6. Disconnect your device when finished.



13. WIRELESS SOFTWARE UPGRADES

To upgrade the wireless software on this projector, you'll need to connect to the projector's hotspot while it is in wireless mode and proceed from there. Follow these instructions to connect to the hotspot:

1. Turn on the projector and select the menu option, Wireless. The name of the device and the password to connect to it will appear at the top of the screen. It will be KODAK-XXXXXX (where all the X's are integers between 0-9) and the password will be 12345678.
2. Open your device's wireless settings, and you should see a secure wireless network with the KODAK-XXXXXX name. Select that network and enter the password (12345678).

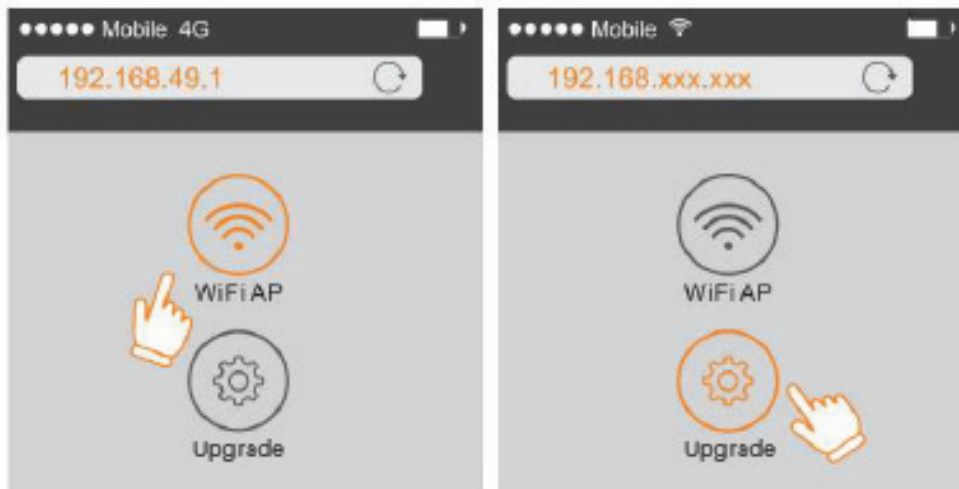


3. Once you're connected to the wireless network, open your device's internet browser and enter the following URL to adjust the settings: 192.168.49.1
4. The browser should display two options, to adjust the wireless access points, or to upgrade the wireless software.
 - a. Tap the 'WIFI AP' option from your mobile browser and select your home wireless network to connect the projector to the internet. Enter the password when prompted.
 - b. If you have connected successfully, there will be a Wi-Fi router icon displayed on the projector screen.

5. To upgrade the wireless software:

- a. After the projector is successfully connected to the internet, a new dynamic URL will be generated in the screen of projector in the format of: 192.168.xxx.xxx
- b. Open your device's wireless settings, and connect to the same wireless network as the projector.
- c. Once you switch to the same network as the projector, open your device's internet browser and enter the new URL that is displayed on the projector screen.
- d. Tap the 'Upgrade' option on your mobile browser to check if there is new software found. If there is, you will be able to install it from that page.

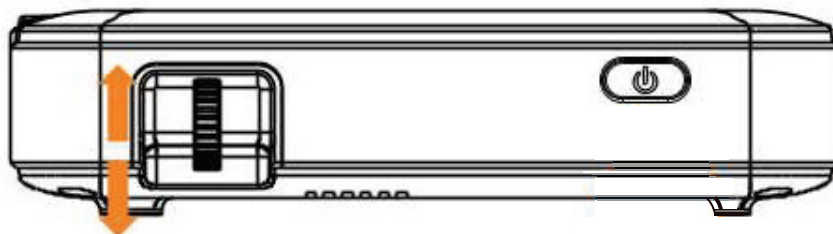
NOTE: Before upgrading, make sure the projector is at least 50% charged or plugged in.




14. ADJUSTING FOCUS

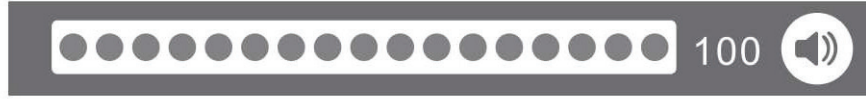
If the image on the screen appears fuzzy or unfocused when you turn the projector on, use the focus wheel on the side to correct the image. Turn the wheel up or down until the image appears sharp and clear.

NOTE: If a specific image or video remains fuzzy after adjusting the focus wheel, try hitting the back button to return to the main menu. If the main menu graphics appear clear and the image is still fuzzy, the problem may be the image or video quality.



15. ADJUSTING VOLUME

During playback, if you need to adjust the volume, touch the  button, and the screen will display the volume bar.

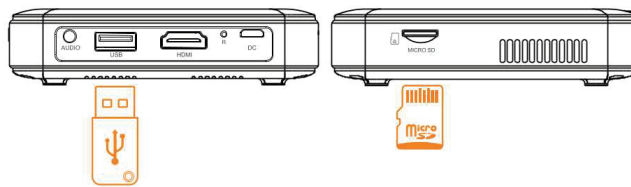


Once the volume bar appears on screen, use the < and > buttons to adjust the volume accordingly.

16. CONNECT YOUR DEVICES

A. USB Drives or Micro SD Cards



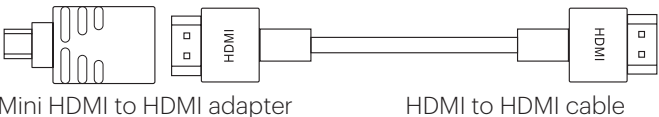
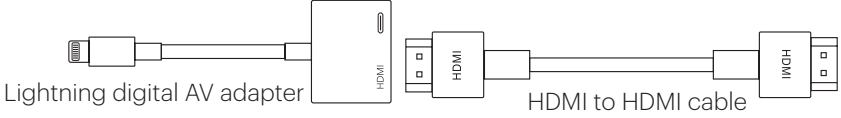
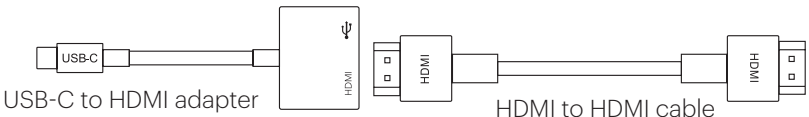

To access photos or videos stored on any USB drive or micro SD card, simply insert the drive or card into the corresponding port on the side. The projector will read the files directly from the drive or card.



B. HDMI® Compatible Devices

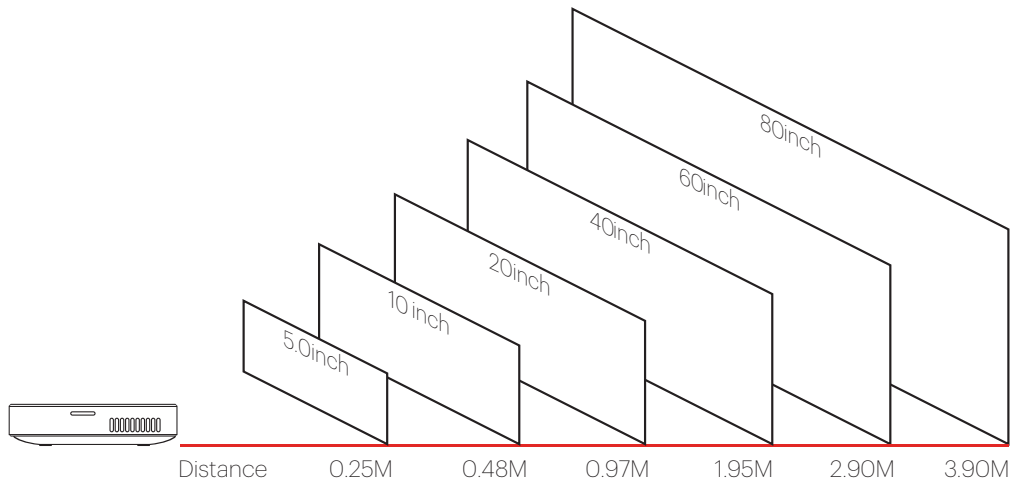
If you're using an HDMI compatible device, such as a laptop, personal computer, smartphone, tablet, or video game console, connect an HDMI cable from the device to your projector. To make things a little easier, we've compiled this table of devices and adapters for your convenience.

Please note, if you connect an HDMI device as well as a micro SD card or USB drive, the HDMI device will take precedence and you will need to disconnect it to access the other connected sources.

1	Devices with HDMI port	
2	Devices with mini HDMI port	
3	Devices with micro HDMI port	
4	iOS devices with lightning port	
5	Devices with USB-C (USB type C) port	
6	Devices with USB-C (USB type C) port	

17. VIEWING DISTANCE AND SCREEN SIZE

See the chart below to see how far away to place your projector from the display area to create the intended screen size.



18. USING THE PROJECTOR

1. Turn the projector on and connect your device.
2. Optionally, connect a speaker or headphones to the AUDIO OUT jack.
3. Use the touch menu on the top of the projector to navigate to either Images or Movies from the main projector menu. The projector will access the files on your connected device and populate both sections.
4. If you want to use the screen mirroring option, navigate to Wireless from the main menu and follow the instructions on page 7 to connect your device.
5. Turn the focus wheel to make sure the image is crisp and clear as you view your videos, images, or mirrored screen.
6. Enjoy!

19. CUSTOMER SERVICE

Should you experience any problems with your product, please contact us before returning the item to the place of purchase. We're here to help!

U.S. Support: kodak@camarketing.com
844-516-1539

International Support: kodakintl@camarketing.com
844-516-1540

20. WARRANTY

LIMITED WARRANTY TO ORIGINAL CONSUMER

This KODAK LUMA 150 Projector (“Product”), including any accessories included in the original packaging, as supplied and distributed new by an authorized retailer is warranted by C&A Marketing, Inc. (the “Company”) to the original consumer purchaser only, against certain defects in material and workmanship (“Warranty”) as follows:

To receive Warranty service, the original consumer purchaser must contact the Company or its authorized service provider for problem determination and service procedures. Proof of purchase in the form of a bill of sale or receipted invoice, evidencing that the Product is within the applicable Warranty period(s), MUST be presented to the Company or its authorized service provider in order to obtain the requested service.

Service options, parts availability, and response times may vary and may change at any time. In accordance with applicable law, the Company may require that you furnish additional documents and/or comply with registration requirements before receiving warranty service. Please contact our customer service for details on obtaining warranty service:

USA: kodak@camarketing.com, 844-516-1539

International: kodakintl@camarketing.com, +1-844-516-1540

Shipping expenses to the Company’s Return Facility are not covered by this warranty, and must be paid by the consumer. The consumer likewise bears all risk of loss or further damage to the Product until delivery to said facility.

EXCLUSIONS AND LIMITATIONS The Company warrants the Product against defects in materials and workmanship under normal use for a period of ONE (1) YEAR from the date of retail purchase by the original end-user purchaser (“Warranty Period”). If a hardware defect arises and a valid claim is received within the Warranty Period, the Company, at its sole option and to the extent permitted by law, will either (1) repair the Product defect at no charge, using new or refurbished replacement parts, (2) exchange the Product with a Product that is new or which has been manufactured from new or serviceable used parts and is at least functionally equivalent to the original device, or (3) refund the purchase price of the Product.

A replacement Product or part thereof shall enjoy the warranty of the original Product for the remainder of the Warranty Period, or ninety (90) days from the date of replacement or repair, whichever provides you longer protection. When a Product or part is exchanged, any replacement item becomes your property, while the replaced item becomes the Company’s property. Refunds can only be given if the original Product is returned.

This Warranty does not apply to:

- (a) Any non-KODAK LUMA 150 Projector product, hardware or software, even if packaged or sold with the Product;
- (b) Damage caused by use with non-KODAK LUMA 150 Projector products;
- (c) Damage caused by accident, abuse, misuse, flood, fire, earthquake, or other external causes;
- (d) Damage caused by operating the Product outside the permitted or intended uses described by the Company;

- (e) Damage caused by third party services;
- (f) A Product or part that has been modified to alter functionality or capability without the written permission of the Company;
- (g) Consumable parts, such as batteries, fuses and bulbs;
- (h) Cosmetic damage; or
- (i) If any KODAK LUMA 150 Projector serial number has been removed or defaced.

This Warranty is valid only in the country where the consumer purchased the Product, and only applies to Products purchased and serviced in that country.

The Company does not warrant that the operation of the Product will be uninterrupted or error-free. The Company is not responsible for damage arising from your failure to follow instructions relating to its use.

NOTWITHSTANDING ANYTHING TO THE CONTRARY AND TO THE MAXIMUM EXTENT PERMITTED BY APPLICABLE LAW, THE COMPANY PROVIDES THE PRODUCT "AS-IS" AND "AS-AVAILABLE" FOR YOUR CONVENIENCE AND THE COMPANY AND ITS LICENSORS AND SUPPLIERS EXPRESSLY DISCLAIM ALL WARRANTIES AND CONDITIONS, WHETHER EXPRESSED, IMPLIED, OR STATUTORY, INCLUDING THE WARRANTIES OF MERCHANTABILITY, FITNESS FOR A PARTICULAR PURPOSE, TITLE, QUIET ENJOYMENT, ACCURACY, AND NON-INFRINGEMENT OF THIRD-PARTY RIGHTS. THE COMPANY DOES NOT GUARANTEE ANY SPECIFIC RESULTS FROM THE USE OF THE PRODUCT, OR THAT THE COMPANY WILL CONTINUE TO OFFER OR MAKE AVAILABLE THE PRODUCT FOR ANY PARTICULAR LENGTH OF TIME. THE COMPANY FURTHER DISCLAIMS ALL WARRANTIES AFTER THE EXPRESS WARRANTY PERIOD STATED ABOVE.

YOU USE THE PRODUCT AT YOUR OWN DISCRETION AND RISK. YOU WILL BE SOLELY RESPONSIBLE FOR (AND THE COMPANY DISCLAIMS) ANY AND ALL LOSS, LIABILITY, OR DAMAGES RESULTING FROM YOUR USE OF THE PRODUCT.

NO ADVICE OR INFORMATION, WHETHER ORAL OR WRITTEN, OBTAINED BY YOU FROM THE COMPANY OR THROUGH ITS AUTHORIZED SERVICE PROVIDERS SHALL CREATE ANY WARRANTY.

IN NO EVENT WILL THE COMPANY'S TOTAL CUMULATIVE LIABILITY ARISING FROM OR RELATED TO THE PRODUCT, WHETHER IN CONTRACT OR TORT OR OTHERWISE EXCEED THE FEES ACTUALLY PAID BY YOU TO THE COMPANY OR ANY OF ITS AUTHORIZED RESELLERS FOR THE PRODUCT AT ISSUE IN THE LAST YEAR FROM YOUR PURCHASE. THIS LIMITATION IS CUMULATIVE AND WILL NOT BE INCREASED BY THE EXISTENCE OF MORE THAN ONE INCIDENT OR CLAIM. THE COMPANY DISCLAIMS ALL LIABILITY OF ANY KIND OF ITS LICENSORS AND SUPPLIERS. IN NO EVENT WILL THE COMPANY OR ITS LICENSORS, MANUFACTURERS AND SUPPLIERS BE LIABLE FOR ANY INCIDENTAL, DIRECT, INDIRECT, SPECIAL, PUNITIVE OR CONSEQUENTIAL DAMAGES (SUCH AS, BUT NOT LIMITED TO, DAMAGES FOR LOSS OF PROFITS, BUSINESS, SAVINGS, DATA OR RECORDS) CAUSED BY THE USE, MISUSE OR INABILITY TO USE THE PRODUCT.

Nothing in these terms shall attempt to exclude liability that cannot be excluded under applicable law. Some countries, states or provinces do not allow the exclusion or limitation of incidental or consequential damages or allow limitations on warranties, so certain limitations or exclusions may not apply to you. This warranty gives you specific legal rights, and you may have other rights that vary from state to state or province to province. Contact your authorized retailer to determine if another warranty applies.

Kodak does NOT manufacture this Product or provide any Warranty or support.

www.kodakphotoplus.com

The Kodak trademark, logo, and trade dress are used under license from Eastman Kodak Company.

Android is a trademark of Google, LLC.

DLP® and the DLP logo are registered trademarks of Texas Instruments.

HDMI, the HDMI logo, and High-Definition Multimedia Interface are trademarks or registered trademarks of HDMI Licensing, LLC in the United States and/or other countries.

Lightning, Mac, and AirPlay are trademarks of Apple Inc. in the U.S. and other countries.

iOS is a trademark of Cisco in the U.S. and other countries and is used under license.

MicroSD is a trademark of SD-3C, LLC.

Wi-Fi and Miracast are trademarks of Wi-Fi Alliance in the U.S. and/or other countries.

Windows is a trademark of Microsoft Corporation and other countries.

All other products, brand names, company names, and logos are trademarks of their respective owners, used merely to identify their respective products, and are not meant to connote any sponsorship, endorsement or approval.

Distributed by: C&A Marketing, Inc., 114 Tived Lane East, Edison, NJ 08837, USA

C&A Marketing UK LTD, 167 Hermitage Road, Crusader Industrial Estate, London N4 1LZ, UK

© 2019 C&A IP Holdings, LLC. All Rights Reserved. Made in China.

