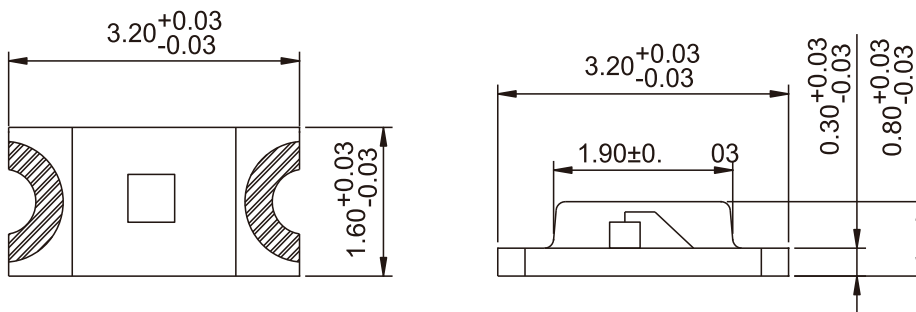


## 1206 package SMD LED



Achtung: Leuchtdioden müssen immer durch Vorwiderstand oder Konstantstromquelle strombegrenzt werden!

Attention: Do not drive LED without forward-current limitation (pre-resistor or constant current source)

| Item number                    | 00430347       | 00430348       | 00430349       | 00430350       | 00430351       | 00430352       |
|--------------------------------|----------------|----------------|----------------|----------------|----------------|----------------|
| Light Source                   | Red            | Blue           | Green          | Yellow         | Warm White     | Cold White     |
| Wavelength / color temperature | 620-625nm      | 460-465nm      | 520-525nm      | 590-595nm      | 2800-3000K     | 8000K          |
| Max. Luminous intensity        | 180mcd         | 100mcd         | 400mcd         | 180mcd         | 400mcd         | 400mcd         |
| Viewing angle (typ.)           | 120°           | 120°           | 120°           | 120°           | 120°           | 120°           |
| Forward current (max.)         | 20mA           | 20mA           | 20mA           | 20mA           | 20mA           | 20mA           |
| Forward voltage (typ.)         | 2V             | 3V             | 3V             | 2V             | 3V             | 3V             |
| Operating temperature          | -40°C To +85°C | -40°C To +85°C | -40°C To +85°C | -30°C To +85°C | -40°C To +85°C | -40°C To +85°C |
| Storage temperature            | -30°C To +85°C | -30°C To +85°C | -40°C To +85°C | -40°C To +90°C | -30°C To +85°C | -30°C To +85°C |