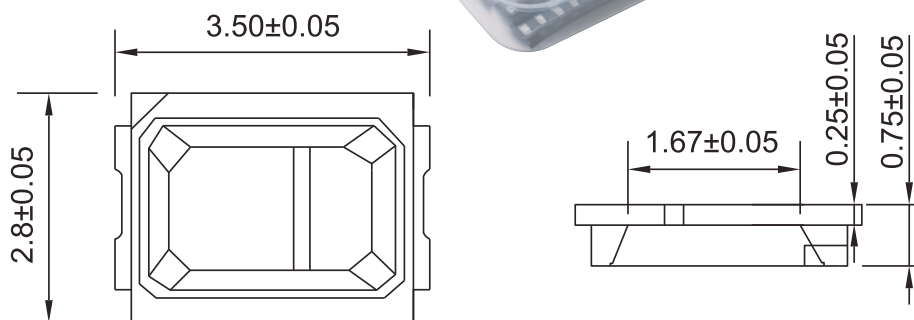


2835 package SMD LED



Achtung: Leuchtdioden müssen immer durch Vorwiderstand oder Konstantstromquelle strombegrenzt werden!

Attention: Do not drive LED without forward-current limitation (pre-resistor or constant current source)

Item number	00430353	00430354	00430355	00430356	00430357	00430358
Light Source	Red	Blue	Green	Yellow	Warm White	Cold White
Wavelength / color temperature	620-630nm	460-470nm	515-525nm	585-590nm	2000-3000k	6000-7000K
Max. Luminous intensity	600mcd	1200mcd	1500mcd	650mcd	3000mcd	3000mcd
Viewing angle (typ.)	120°	120°	120°	120°	120°	120°
Forward current (max.)	60mA	60mA	60mA	55mA	150mA	150mA
Forward voltage (typ.)	2V	3V	3V	2V	3.3V	3.3V
Operating temperature	-20°C To +80°C	-20°C To +80°C	-20°C To +80°C	-40°C To +85°C	-20°C To +80°C	-20°C To +80°C
Storage temperature	-30°C To +100°C	-30°C To +100°C	-30°C To +100°C	-40°C To +85°C	-30°C To +100°C	-30°C To +100°C