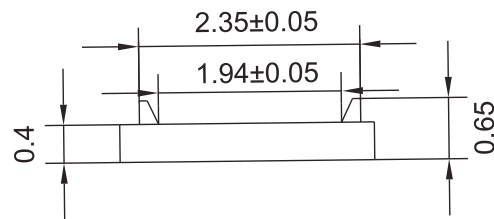
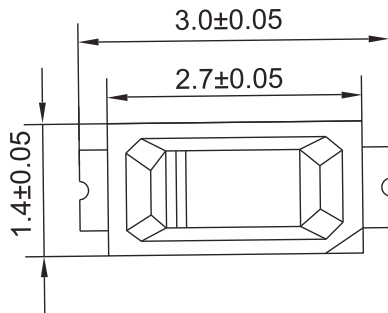


## 3014 package SMD LED



Achtung: Leuchtdioden müssen immer durch Vorwiderstand oder Konstantstromquelle strombegrenzt werden!

Attention: Do not drive LED without forward-current limitation (pre-resistor or constant current source)

Item number	00430359	00430360	00430361	00430362	00430363	00430364
Light Source	Red	Blue	Green	Yellow	Warm White	Cold White
Wavelength / color temperature	620-625nm	460-465nm	520-525nm	590-595nm	2800-3200K	7000-9000K
Max. Luminous intensity	300mcd	700mcd	1200mcd	300mcd	3000mcd	4500mcd
Viewing angle (typ.)	120°	120°	120°	120°	120°	120°
Forward current (max.)	20mA	20mA	20mA	20mA	30mA	30mA
Forward voltage (typ.)	2V	3V	3V	2V	3V	3V
Operating temperature	-30°C To +85°C	-30°C To +85°C	-30°C To +85°C	-30°C To +85°C	-20°C To +80°C	-20°C To +80°C
Storage temperature	-40°C To +90°C	-40°C To +90°C	-40°C To +90°C	-40°C To +90°C	-30°C To +100°C	-30°C To +100°C