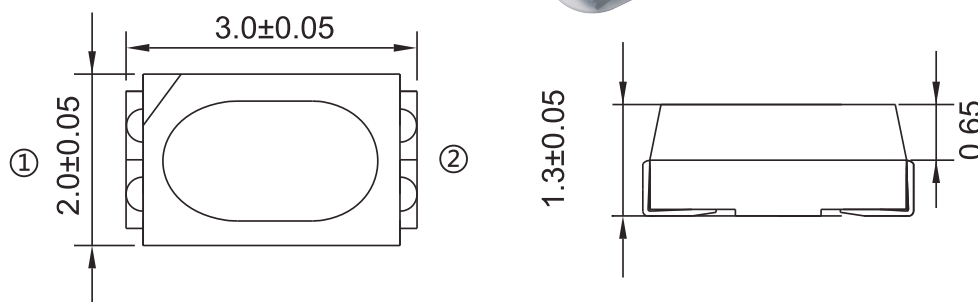


## 3020 package SMD LED



**ACHTUNG**  
Handhabungsvorschriften  
beachten  
Elektrostatisch gefährdete  
Bauelemente  
**ATTENTION**  
Electrostatic sensitive devices  
Observe precautions for handling

Achtung: Leuchtdioden müssen immer durch Vorwiderstand oder Konstantstromquelle strombegrenzt werden!

Attention: Do not drive LED without forward-current limitation (pre-resistor or constant current source)

Item number	00430365	00430366	00430367	00430368	00430369	00430370
Light Source	Red	Blue	Green	Yellow	Warm White	Cold White
Wavelength / color temperature	620-630nm	460-470nm	515-525nm	585-595nm	2800-3200K	7000-9000K
Max. Luminous intensity	300mcd	300mcd	1200mcd	150mcd	3000mcd	3000mcd
Viewing angle (typ.)	120°	120°	120°	120°	120°	120°
Forward current (max.)	20mA	20mA	20mA	20mA	20mA	20mA
Forward voltage (typ.)	3V	3V	3V	2V	3V	3V
Operating temperature	-20°C To +80°C	-20°C To +80°C	-20°C To +80°C	-20°C To +80°C	-20°C To +80°C	-20°C To +80°C
Storage temperature	-30°C To +100°C	-30°C To +100°C	-30°C To +100°C	-30°C To +100°C	-30°C To +100°C	-30°C To +100°C