

For precise
MEASUREMENTS
in production and manufacturing

TECH 500 DP



TECH 1000 DP



TECH 500 DP and TECH 1000 DP
The new digital protractors

STABILA 
How true pro's measure

THE CHOICE IS YOURS

Hand-held device or measuring station



TECH 500 DP

Made in Germany Digital inclination measurement made easy: precise, robust, compact

Are you looking for a digital protractor that makes it easy to carry out measurement and alignment tasks? Look no further than the TECH 500 DP digital protractor. Its large measuring range of 0° to 360° will make your processes easier to manage. It consistently measures with precision in four quadrants from 0° to 90°. A T-groove and V-groove, plus the integrated rare-earth magnet, provide a range of options for securing the tool in place. All in all, it's an easy-to-use, high-quality product that's made in Germany. Compact and robust, it provides the very best possible protection in line with IP 65.

TECH 1000 DP

Made in Germany Digital inclination measurement redefined: precise measurements – smart documentation

Do you want to make your processes even more efficient? Then you'll love this digital protractor from STABILA. Its standout features include an extensive measuring range of 0° to 360° and smart data transmission to peripheral devices – such as machine controllers and computers – via MODBUS, the proven industry standard. A T-groove and V-groove, plus the integrated rare-earth magnet, provide a range of options for mounting the tool in place. The TECH 1000 DP is a state-of-the-art, high-quality product that's made in Germany. Compact and robust, it provides the very best possible protection in line with IP 65.



Scope of delivery

TECH 500 DP digital protractor, protective bag, 2 x AA batteries

Article no.: 19125



Scope of delivery

TECH 1000 DP digital protractor, protective bag, mains adapter including 4 country-specific interchangeable plug types, 4-pin data cable with M12 connector, USB data cable with M12 connector, STABILA ANALYTICS analysis software

Article no.: 19126

	TECH 500 DP
Display	0 – 360° (4 x 90°)
	0 – 360°
Mounting options	T-groove
	V-groove
	Rare-earth magnet
Protection	IP 65
Functionality	Display lighting
	Reference function
	Hold function
	Keylock
	Visual guidance
	Position visualisation
	Acoustic guidance
Units (°, %, mm/m, in/ft)	
Power supply	Batteries
	Li-ion rechargeable battery (2400 mAh)
	Mains supply
	Interface (5 V)
Data transfer	RS485 interface with MODBUS

	TECH 1000 DP
Display	0 – 360° (4 x 90°)
	0 – 360°
Mounting options	T-groove
	V-groove
	Rare-earth magnet
Protection	IP 65
Functionality	Display lighting
	Reference function
	Hold function
	Keylock
	Visual guidance
	Position visualisation
	Acoustic guidance
Units (°, %, mm/m, in/ft)	
Power supply	Batteries
	Li-ion rechargeable battery (2400 mAh)
	Mains supply
	Interface (5 V)
Data transfer	RS485 interface with MODBUS

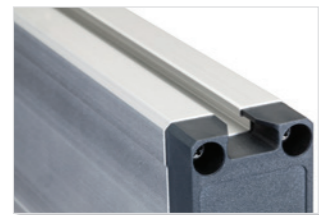
TECH 500 DP

Digital protractor

- Digital protractor for measurements from 0° to 360° (4 x 90°).
- Digital display with large digits and lighting that can be activated – optimum readability even in poor lighting conditions.
- Anodised measuring surfaces – durable and robust.
- Range of mounting options: T-groove for flexible mounting with groove nuts. V-groove for exact positioning on pipes. Rare-earth magnet for a secure hold on steel beams and pipes.
- Optimum protection – waterproof and dustproof in accordance with protection class IP 65.
- Acoustic guidance with 3 different audible signals for quick alignment.
- REF function: fast measurement in relation to a reference angle.
- HOLD function: saves the measured value.
- Display modes: °, %, mm/m, in/ft – decimal and as fraction.
- Option of precision display (0.01°) and rough display (0.1°) modes.
- Digital display rotates in reverse position.
- Keyboard lock.
- Includes bag for secure transport.



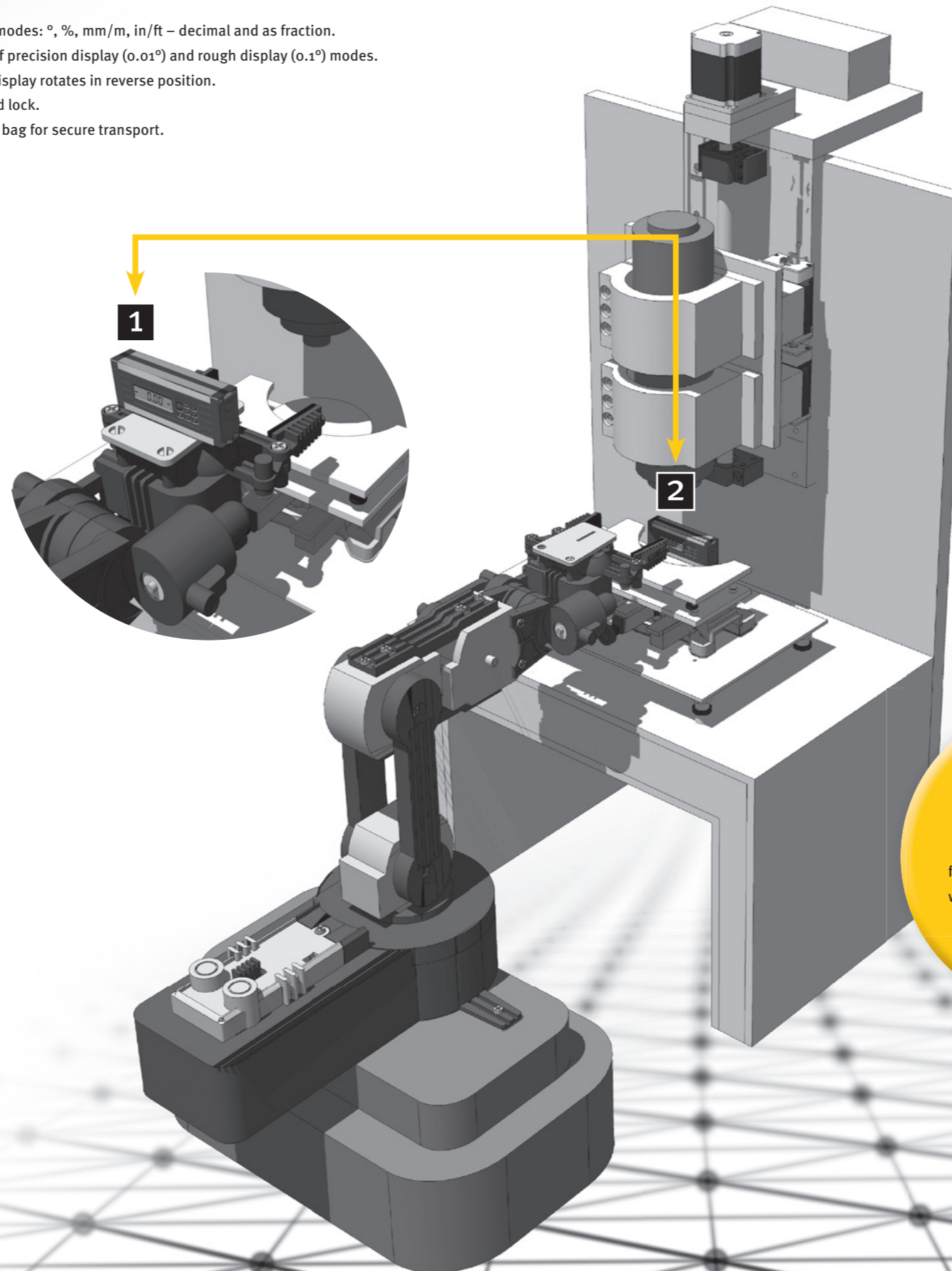
Digital display with lighting that can be activated



T-groove for flexible mounting



Extra-strong rare-earth magnet



Application

- **During production:**
When performing maintenance on and setting machines.
For longterm measurements thanks to a range of mounting options. For checking and monitoring processes.
- **In quality assurance:**
For measuring key values.
- **In special-purpose mechanical engineering:**
Easy alignment of systems during commissioning.

Technical data

Measuring accuracy at 0° & 90°	± 0.05°
Measuring accuracy at 1°... 89°	± 0.2°
Display accuracy	± 0.01°
Display (measuring range)	0°... 360° (4 x 90°)
Power supply	2 x 1.5 V alkaline, AA
Operating life	≥ 150 hours
Operating temperature	-10°C to 50°C
Storage temperature	-20°C to 65°C
Protection class	IP 65
Length / width / height	175 mm / 32 mm / 70 mm



Can be used as a HAND-HELD DEVICE:

Portable and flexible protractor for fast checking and adjustment work; for example, checking that **1** grippers and **2** holders are parallel.

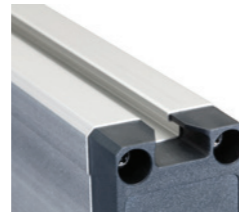
TECH 1000 DP

Digital protractor

- Digital protractor for measurements from 0° to 360°.
- Digital display with lighting that can be activated – optimum readability.
- Anodised measuring surfaces – durable and robust.
- Waterproof and dustproof in accordance with protection class IP 65.
- Range of mounting options: T-groove, V-groove and rare-earth magnet system.
- Variable power supply: integrated Li-ion battery, mains plug or interface.
- RS-485 interface with MODBUS protocol for documentation:
 - 1) PRINT MODE: measurement after pressing a button.
 - 2) AUTO MODE: measurement after any request.
- STABILA ANALYTICS software for analysis and documentation.
- Acoustic guidance for quick alignment.
- REF function: fast measurement in relation to a reference angle.
- HOLD function: saves the measured value.
- Display modes: °, %, mm/m, in/ft – decimal.
- Digital display rotates in reverse position.
- Mains adapter with 4 country-specific interchangeable plug types.
- Includes USB data cable with M12 connector and 4-pin data cable with M12 connector.
- Includes bag.



Digital display with lighting that can be activated



T-groove for flexible mounting



Extra-strong rare-earth Qmagnet



RS-485 interface

Application

- **As part of automation:**
Modernisation and digitisation of existing machines in production.
- **In quality assurance:**
Measuring, recording and documenting key values.
- **During production:**
When performing maintenance on and setting machines, and when carrying out long-term measurements for checking and monitoring processes.
- **In special-purpose mechanical engineering:**
Long-term measurements for recording position changes when commissioning a machine and transferring measured values for analysis and documentation in the transfer report.

Technical data

Measuring accuracy at 0°, 90°, 180° & 270°	± 0.05°
Measuring accuracy: at 1°... 89° / 91°... 179° / 181°... 269° / 271°... 359°	± 0.1°
Display accuracy	± 0.01°
Display (measuring range)	0°... 360°
Power supply	Li-ion rechargeable battery, mains supply, interface (5 V)
Operating life	≥ 150 hours
Operating temperature	-10°C to 50°C
Storage temperature	-20°C to 65°C
Protection class	IP 65
Data transfer	RS-485 with MODBUS protocol
Length / width / height	175 mm / 32 mm / 70 mm



Can be used as a MEASURING STATION:

Protractor with various mounting options, for documentation and analysis by means of long-term measurements; for checking and monitoring position changes, for example.

STABILA Messgeräte
Gustav Ullrich GmbH
Landauer Str. 45
76855 Annweiler, Germany
☎ +49 6346 309-0
☎ +49 6346 309-480
✉ info@stabila.de
www.stabila.com

Precision down to the last detail

Precise measurement is one of the most fundamental aspects of many kinds of production work. So it's important that professionals are able to completely rely on the accuracy of their measuring tools – during quality assurance, during production, and when commissioning new machines. They need measurement technology that's robust, always accurate, and easy to use. STABILA designs and produces measuring equipment of exactly this calibre. And has done so since 1889.



Simple data transfer with the TECH 1000 DP

- **Smart documentation** – option of individual or continuous measurements
- **Serial interface** – connection to computer (running Windows XP SP3 or higher) or bus systems
- **Address can be set individually** – enables use of multiple devices
- **Comparative measurement** – simultaneous use of multiple devices
- **M12 screw connection** – cabling held securely



STABILA ANALYTICS TECH 1000 DP

STABILA ANALYTICS software for easy analysis and documentation of measured values – without the need for programming.

- Direct recording of data
- Direct display of up to two devices
- Simple calculation within the software
- Clear description of the project
- Direct display of values
- Direct documentation of measured values
- Possible to track measurement errors directly
- Clear information source with time and personal stamp
- **Export as CSV file for simple, direct processing of measured values**



See all products at
www.stabila.com



Our technical support team will assist you with all questions relating to product selection and use: Phone +49 6346 309-0. You can of course also e-mail us at info@stabila.de.