

D-SERIES DRW / DRH DRH173012LT

Weidmüller Interface GmbH & Co. KG
Klingenbergstraße 16
D-32758 Detmold
Germany
Fon: +49 5231 14-0
Fax: +49 5231 14-292083
www.weidmueller.com

Product image



Similar to illustration

Relay from the D-SERIES DRH DC.

- 1 NO contact or 1 NC contact (internal series connection of contacts)
- For switching high DC loads of up to max. 10 A at 220 V DC
- Erosion-resistant AgSnO₂ contact
- Integrated blow magnet
- Wide range of coil voltages
- With integrated status display (AC red, DC green)
- With test button

General ordering data

Type	DRH173012LT
Order No.	1219840000
Version	D-SERIES DRW / DRH, Relay, No. of contacts: 1 NO contact with blow-out magnet and test button AgSnO ₂ , Rated control voltage: 12 V DC, Continuous current: 16 A, Flat blade connections (4.8 mm x 0.5 mm)
GTIN (EAN)	4032248998326
Qty.	10 pc(s).

**D-SERIES DRW / DRH
DRH173012LT**

Weidmüller Interface GmbH & Co. KG
 Klingenbergstraße 16
 D-32758 Detmold
 Germany
 Fon: +49 5231 14-0
 Fax: +49 5231 14-292083
 www.weidmueller.com

Technical data**Dimensions and weights**

Width	36 mm	Width (inches)	1.417 inch
Height	36 mm	Height (inches)	1.417 inch
Depth	48 mm	Depth (inches)	1.89 inch
Net weight	84.2 g		

Temperatures

Humidity	35 % to 85 % relative humidity level	Operating temperature, max.	60 °C
Operating temperature, min.	-40 °C	Storage temperature, max.	60 °C
Storage temperature, min.	-40 °C	Operating temperature	-40 °C...60 °C
Storage temperature	-40 °C...60 °C		

Environmental Product Compliance

REACH SVHC Lead 7439-92-1

Rated data UL

Certificate No. (cURus) E312083

Input

Rated control voltage	12 V DC	Rated current DC	120 mA
Power rating	1.5 W	Pull-in/drop-out voltage, typ.	9 V / 1.2 V DC
Coil resistance	100 Ω ± 10 %	Status indicator	Green LED

Output

Rated switching voltage	500 V AC	Max. switching voltage, AC	500 V
Max. switching voltage, DC	300 V	Continuous current	16 A
Inrush current	80 A / 50 ms	Switch-on delay	< 20 ms
Switch-off delay	< 20 ms	Min. switching power	100 mA @ 12 V
Max. switching frequency at rated load	1 Hz		

Contact data

Contact type	1 NO contact with blow-out magnet and test button (AgSnO ₂)	Contact resistance	≤ 50 mΩ
Mechanical service life	10 x 10 ⁶ switching cycles		

General data

Test button	yes (lockable)	Mechanical switch position indicator	Yes
Colour	Transparent		

Insulation coordination

Insulation coordination according to	EN 61810-1:2008	Rated voltage	500 V
Surge voltage category	III	Pollution severity	3
Insulating material group	IIIa	Protection degree	IP20
Dielectric strength, Input/Output	4 kV _{eff} / 1 min	Creepage and clearance distance input - output	≥ 8 mm
Dielectric strength of open contact	4 kV _{eff} / 1 min		

Creation date May 27, 2019 6:17:28 PM CEST

Data sheet

**D-SERIES DRW / DRH
DRH173012LT**

Weidmüller Interface GmbH & Co. KG
Klingenbergstraße 16
D-32758 Detmold
Germany
Fon: +49 5231 14-0
Fax: +49 5231 14-292083
www.weidmueller.com

Technical data

Further details of approvals / standards

Standards	IEC 61810-1, EN 60664-1:2007, EN 61000-6-2:2005, EN 61000-6-4:2007 + A1:2011, UL 508	Certificate No. (cURus)	E312083
-----------	--	-------------------------	---------

Connection data

Wire connection method	Flat blade connections (4.8 mm x 0.5 mm)
------------------------	--

Classifications

ETIM 3.0	EC001437	ETIM 5.0	EC001437
ETIM 6.0	EC001437	eClass 6.2	27-37-16-01
eClass 7.1	27-37-16-01	eClass 8.1	27-37-16-01
eClass 9.0	27-37-16-01	eClass 9.1	27-37-16-01

Approvals

Approvals



ROHS	Conform
------	---------

Downloads

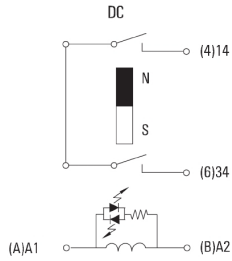
Approval/Certificate/Document of Conformity	DE_PA_5600_160310_005.pdf
Brochure/Catalogue	CAT 4.2 ELECTR 18/19 EN
Engineering Data	EPLAN, WSCAD
Engineering Data	STEP

**D-SERIES DRW / DRH
DRH173012LT**

Weidmüller Interface GmbH & Co. KG
Klingenbergstraße 16
D-32758 Detmold
Germany
Fon: +49 5231 14-0
Fax: +49 5231 14-292083
www.weidmueller.com

Drawings

Wiring diagram



View of Pins from below

Graph



DC load limit curve
Resistive load

Graph



Electrical service life

Graph



DC operational voltage range

Dimensional drawing



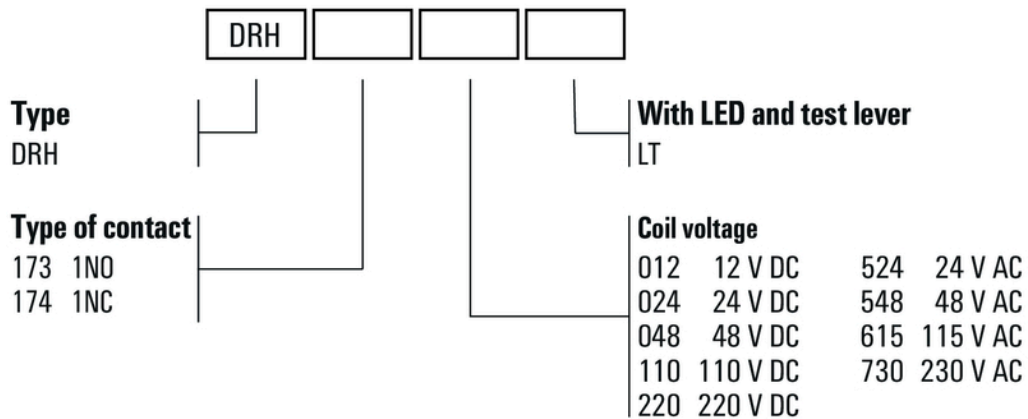
Data sheet

**D-SERIES DRW / DRH
DRH173012LT**

Weidmüller Interface GmbH & Co. KG
 Klingenbergstraße 16
 D-32758 Detmold
 Germany
 Fon: +49 5231 14-0
 Fax: +49 5231 14-292083
 www.weidmueller.com

Drawings

Miscellaneous



Type codes