

**D-SERIES DRI
DRI424524LT**

Weidmüller Interface GmbH & Co. KG
 Klingenbergstraße 16
 D-32758 Detmold
 Germany
 Fon: +49 5231 14-0
 Fax: +49 5231 14-292083
 www.weidmueller.com

Product image


Similar to illustration

Relay from the D-SERIES DRI

- 1 or 2 CO contacts
- Robust industrial plug-in connections
- Optional: latching / spring return operable test button with coloured control voltage identification (AC coil: red / DC coil: blue)
- Optional: Mechanical switch position indication (for version with test button)
- Optional: Bright status LED (AC coil: red / DC coil: green)
- Optional: free-wheeling diode

General ordering data

| | |
|------------|---|
| Type | DRI424524LT |
| Order No. | 7760056343 |
| Version | D-SERIES DRI, Relay, No. of contacts: 2 CO contact with test button AgNi, Rated control voltage: 24 V AC, Continuous current: 5 A, Flat blade connections (2.5 mm x 0.5 mm) |
| GTIN (EAN) | 6944 169739903 |
| Qty. | 20 pc(s). |

**D-SERIES DRI
DRI424524LT**

Weidmüller Interface GmbH & Co. KG
 Klingenbergstraße 16
 D-32758 Detmold
 Germany
 Fon: +49 5231 14-0
 Fax: +49 5231 14-292083
 www.weidmueller.com

Technical data**Dimensions and weights**

| | | | |
|------------|---------|-----------------|------------|
| Width | 13 mm | Width (inches) | 0.512 inch |
| Height | 31 mm | Height (inches) | 1.22 inch |
| Depth | 33.5 mm | Depth (inches) | 1.319 inch |
| Net weight | 20.08 g | | |

Temperatures

| | | | |
|-----------------------------|--|-----------------------------|----------------|
| Humidity | 35...85 % rel. humidity, no condensation | Operating temperature, max. | 55 °C |
| Operating temperature, min. | -40 °C | Storage temperature, max. | 85 °C |
| Storage temperature, min. | -40 °C | Operating temperature | -40 °C...55 °C |
| Storage temperature | -40 °C...85 °C | | |

Environmental Product Compliance

| | |
|------------|----------------|
| REACH SVHC | Lead 7439-92-1 |
|------------|----------------|

Rated data UL

| | |
|-------------------------|---------|
| Certificate No. (cURus) | E312083 |
|-------------------------|---------|

Input

| | | | |
|-----------------------|--------------|--------------------------------|-------------------|
| Rated control voltage | 24 V AC | Rated current AC | 50 mA |
| Power rating | 1.2 VA | Pull-in/drop-out voltage, typ. | 19.2 V / 7.2 V AC |
| Coil resistance | 240 Ω ± 10 % | Status indicator | red LED |

Output

| | | | |
|----------------------------|----------------------------|--|---------|
| Rated switching voltage | 250 V AC | Max. switching voltage, AC | 250 V |
| Max. switching voltage, DC | 250 V | Continuous current | 5 A |
| Switch-on delay | ≤ 15 ms | Switch-off delay | ≤ 10 ms |
| Min. switching power | 10 mA @ 12 V, 100 mA @ 5 V | Max. switching frequency at rated load | 0.1 Hz |

Contact data

| | | | |
|--------------|--------------------------------------|-------------------------|---------------------------------------|
| Contact type | 2 CO contact with test button (AgNi) | Mechanical service life | 10 x 10 ⁶ switching cycles |
|--------------|--------------------------------------|-------------------------|---------------------------------------|

General data

| | | | |
|-------------|----------------|--------------------------------------|-----|
| Test button | yes (lockable) | Mechanical switch position indicator | Yes |
| Colour | Transparent | | |

Insulation coordination

| | | | |
|--|-----------------------------|--|--------------------------------|
| Rated voltage | 300 V | Surge voltage category | III |
| Pollution severity | 2 | Insulating material group | IIIa |
| Protection degree | IP20 | Dielectric strength, Input/Output | 5 kV _{eff} / 1 min |
| Creepage and clearance distance input – output | ≥ 4 mm | Dielectric strength of neighbouring contacts | 1.5 kV _{eff} / 1 min. |
| Dielectric strength of open contact | 1 kV _{eff} / 1 min | Impulse withstand voltage | 5 kV (1.2/50 μs) |

Data sheet

**D-SERIES DRI
DRI424524LT**

Weidmüller Interface GmbH & Co. KG
 Klingenbergstraße 16
 D-32758 Detmold
 Germany
 Fon: +49 5231 14-0
 Fax: +49 5231 14-292083
 www.weidmueller.com

Technical data

Further details of approvals / standards

| | | | |
|-----------|--|-------------------------|---------|
| Standards | IEC 61810-1, EN 60664-1:2007, EN 61000-6-2:2005, EN 61000-6-4:2007 + A1:2011, UL 508 | Certificate No. (cURus) | E312083 |
|-----------|--|-------------------------|---------|

Connection data

| | |
|------------------------|--|
| Wire connection method | Flat blade connections (2.5 mm x 0.5 mm) |
|------------------------|--|

Classifications

| | | | |
|------------|-------------|------------|-------------|
| ETIM 5.0 | EC001437 | ETIM 6.0 | EC001437 |
| eClass 6.2 | 27-37-16-01 | eClass 7.1 | 27-37-16-01 |
| eClass 8.1 | 27-37-16-01 | eClass 9.0 | 27-37-16-01 |
| eClass 9.1 | 27-37-16-01 | | |

Approvals

| | |
|-----------|--|
| Approvals |  |
|-----------|--|

| | |
|------|---------|
| ROHS | Conform |
|------|---------|

Downloads

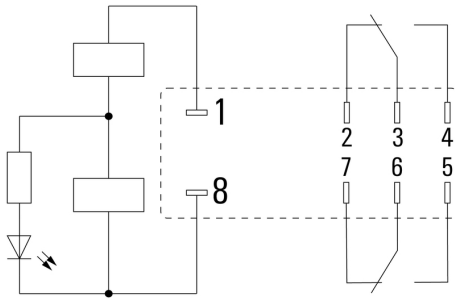
| | |
|---|---|
| Approval/Certificate/Document of Conformity | DE_PA_5600_160310_002.pdf |
| Engineering Data | EPLAN_WSCAD |
| Engineering Data | STEP |

**D-SERIES DRI
DRI424524LT**

Weidmüller Interface GmbH & Co. KG
 Klingenbergstraße 16
 D-32758 Detmold
 Germany
 Fon: +49 5231 14-0
 Fax: +49 5231 14-292083
 www.weidmueller.com

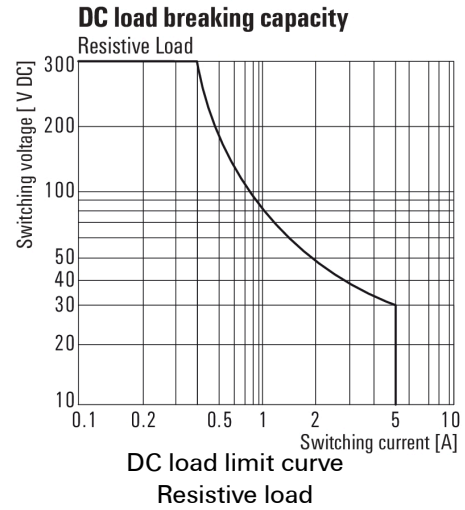
Drawings

Wiring diagram



View of Pins from below

Graph



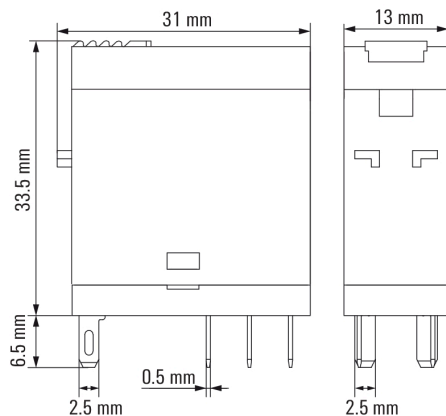
Graph



Graph



Dimensional drawing



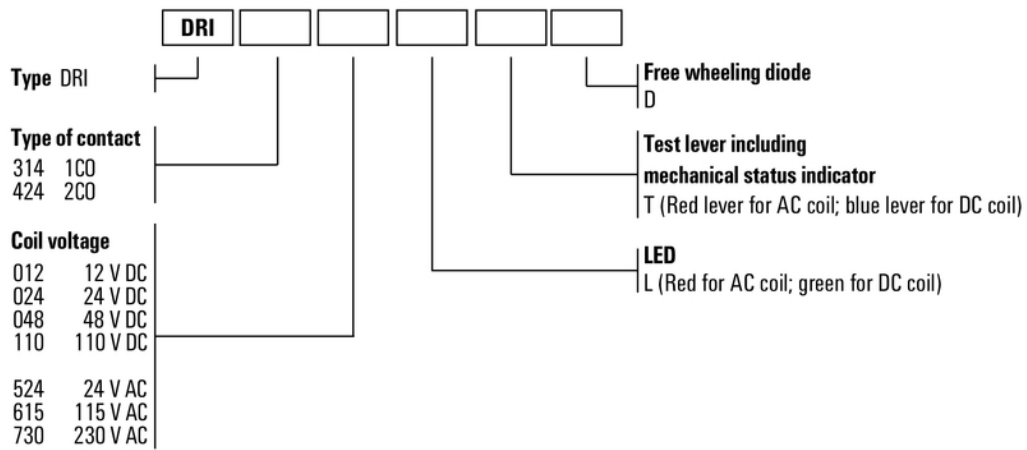
Data sheet

**D-SERIES DRI
DRI424524LT**

Weidmüller Interface GmbH & Co. KG
 Klingenbergstraße 16
 D-32758 Detmold
 Germany
 Fon: +49 5231 14-0
 Fax: +49 5231 14-292083
 www.weidmueller.com

Drawings

Miscellaneous



Type codes