

D-SERIES DRM DRMKIT 24VDC 2CO LD/PB

Weidmüller Interface GmbH & Co. KG
Klingenbergstraße 16
D-32758 Detmold
Germany
Fon: +49 5231 14-0
Fax: +49 5231 14-292083
www.weidmueller.com

Product image



Similar to illustration

Our relay kits are particularly convenient to use. The kits are delivered fully assembled and 100 % function-tested. This saves assembly time and reduces the number of parts required.

- Assembled kit consisting of relay, base and retaining clip, incl. label
- 100% function-tested
- 100% control of the dielectric strength input - output
- Optional: test button with coloured control voltage marking (AC coil: red / DC coil: blue) and mechanical switch position indicator
- Bright status LED (AC coil: red / DC coil: green)

General ordering data

| | |
|------------|--|
| Type | DRMKIT 24VDC 2CO LD/PB |
| Order No. | 1542460000 |
| Version | D-SERIES DRM, Relays, No. of contacts: 2 CO contact with test button AgNi 0,15 µm Au, Rated control voltage: 24 V DC, Continuous current: 10 A, Screw connection |
| GTIN (EAN) | 4050118347401 |
| Qty. | 10 pc(s). |

D-SERIES DRM
DRMKIT 24VDC 2CO LD/PB

Weidmüller Interface GmbH & Co. KG
 Klingenbergstraße 16
 D-32758 Detmold
 Germany
 Fon: +49 5231 14-0
 Fax: +49 5231 14-292083
 www.weidmueller.com

Technical data**Dimensions and weights**

| | | | |
|------------|---------|-----------------|------------|
| Width | 27.2 mm | Width (inches) | 1.071 inch |
| Height | 79.9 mm | Height (inches) | 3.146 inch |
| Depth | 66.8 mm | Depth (inches) | 2.63 inch |
| Net weight | 93.35 g | | |

Temperatures

| | | | |
|-----------------------------|----------------|-----------------------------|----------------|
| Operating temperature, max. | 60 °C | Operating temperature, min. | -40 °C |
| Storage temperature, max. | 70 °C | Storage temperature, min. | -40 °C |
| Operating temperature | -40 °C...60 °C | Storage temperature | -40 °C...70 °C |

Environmental Product Compliance

| | |
|------------|----------------|
| REACH SVHC | Lead 7439-92-1 |
|------------|----------------|

Input

| | | | |
|-----------------------|---------------------|--------------------------------|-----------------|
| Rated control voltage | 24 V DC | Rated current DC | 36.9 mA |
| Power rating | 0.9 W | Pull-in/drop-out voltage, typ. | 18 V / 2.4 V DC |
| Coil resistance | 650 Ω ± 10 % | Status indicator | Green LED |
| Protective circuit | Free-wheeling diode | | |

Output

| | | | |
|-------------------------|----------------------------|--|--------------|
| Rated switching voltage | 250 V AC | Max. switching voltage, AC | 250 V |
| Continuous current | 10 A | Inrush current | 20 A / 50 ms |
| Switch-on delay | < 20 ms | Switch-off delay | < 20 ms |
| Min. switching power | 10 mA @ 12 V, 100 mA @ 5 V | Max. switching frequency at rated load | 0.1 Hz |

Contact data

| | | | |
|-------------------------|---|--------------------|---------|
| Contact type | 2 CO contact with test button (AgNi 0,15 µm Au) | Contact resistance | ≤ 50 mΩ |
| Mechanical service life | 20 x 10 ⁶ switching cycles | | |

General data

| | | | |
|--------------------------------------|-------|-------------|----------------|
| Rail | TS 35 | Test button | yes (lockable) |
| Mechanical switch position indicator | Yes | Colour | black |
| UL 94 flammability rating | V-0 | | |

Insulation coordination

| | | | |
|--|-----------------------------|--|--------------------------------|
| Rated voltage | 250 V | Surge voltage category | III |
| Pollution severity | 2 | Insulating material group | C |
| Protection degree | IP20 | Dielectric strength, Input/Output | 1.8 kV _{eff} / 1 min. |
| Creepage and clearance distance input – output | ≥ 5.5 mm | Dielectric strength of neighbouring contacts | 1 kV _{eff} / 1 min |
| Dielectric strength of open contact | 1 kV _{eff} / 1 min | Impulse withstand voltage | 4.8 kV (1.2/50 µs) |

Further details of approvals / standards

| | | | |
|-------------------------------|---------|------------------------------|---------|
| Certificate no. (cURus) relay | E312083 | Certificate no. (cURus) base | E312083 |
|-------------------------------|---------|------------------------------|---------|

D-SERIES DRM
DRMKIT 24VDC 2CO LD/PB

Weidmüller Interface GmbH & Co. KG
 Klingenbergstraße 16
 D-32758 Detmold
 Germany
 Fon: +49 5231 14-0
 Fax: +49 5231 14-292083
 www.weidmueller.com

Technical data
Connection data

| | | | |
|---|---------------------|---|---------------------|
| Wire connection method | Screw connection | Stripping length, rated connection | 7 mm |
| Tightening torque, min. | 0.5 Nm | Tightening torque, max. | 0.7 Nm |
| Clamping range, min. | 0.5 mm ² | Clamping range, max. | 2.5 mm ² |
| Wire cross-section, solid, min. | 0.5 mm ² | Wire cross-section, solid, max. | 2.5 mm ² |
| Wire connection cross-section, finely stranded, min. | 0.5 mm ² | Wire connection cross section, finely stranded, max. | 2.5 mm ² |
| Wire connection cross-section, finely stranded with wire-end ferrules DIN 46228/4, min. | 0.5 mm ² | Wire connection cross-section, finely stranded with wire-end ferrules DIN 46228/4, max. | 2.5 mm ² |
| Conductor cross-section, flexible, AEH (DIN 46228-1), min. | 0.5 mm ² | Conductor cross-section, flexible, AEH (DIN 46228-1), max. | 2.5 mm ² |
| Wire connection cross section, finely stranded, two clampable wires, min. | 0.5 mm ² | Wire cross-section, finely stranded, two clampable wires, max. | 1 mm ² |
| Blade size | size PH1 | | |

Classifications

| | | | |
|------------|-------------|------------|-------------|
| ETIM 5.0 | EC001437 | ETIM 6.0 | EC001437 |
| eClass 6.2 | 27-37-16-90 | eClass 7.1 | 27-37-16-01 |
| eClass 8.1 | 27-37-16-01 | eClass 9.0 | 27-37-16-01 |
| eClass 9.1 | 27-37-16-01 | | |

Approvals

| | |
|------|---------|
| ROHS | Conform |
|------|---------|

Downloads

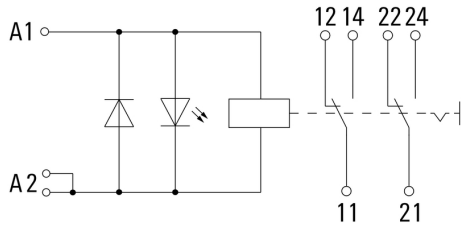
| | |
|---|---|
| Approval/Certificate/Document of Conformity | DE_PA_5600_160317_001.pdf |
| Engineering Data | EPLAN, WSCAD, Zuken E3.S |
| Engineering Data | STEP |

D-SERIES DRM
DRMKIT 24VDC 2CO LD/PB

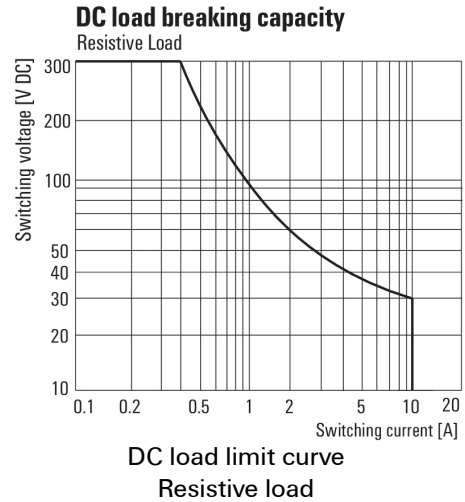
Weidmüller Interface GmbH & Co. KG
Klingenbergstraße 16
D-32758 Detmold
Germany
Fon: +49 5231 14-0
Fax: +49 5231 14-292083
www.weidmueller.com

Drawings

Wiring diagram



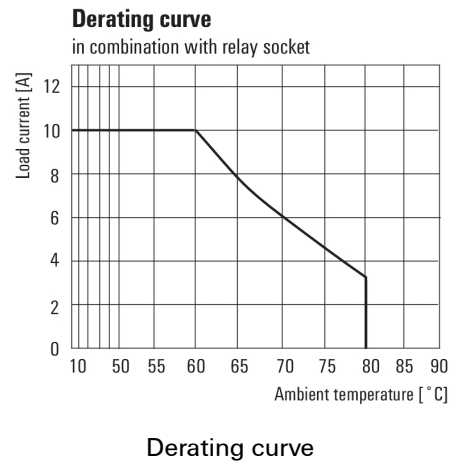
Graph



Graph



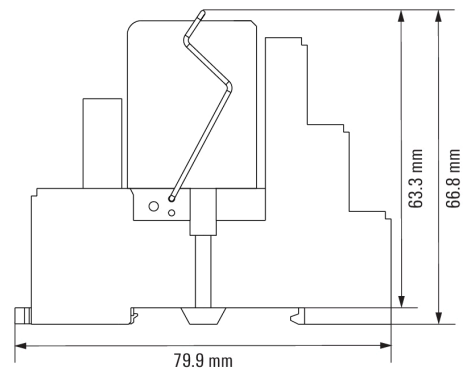
Graph



Graph



Dimensional drawing



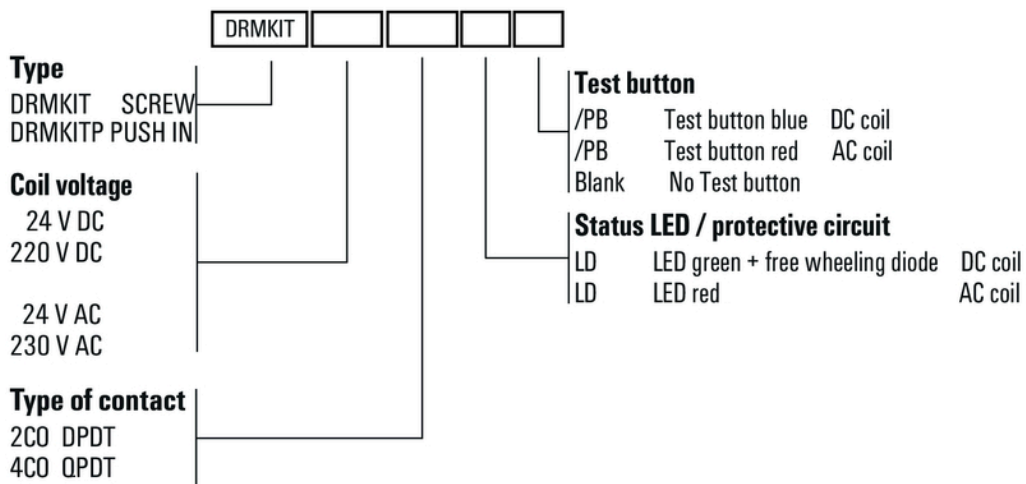
Data sheet

**D-SERIES DRM
DRMKIT 24VDC 2CO LD/PB**

Weidmüller Interface GmbH & Co. KG
 Klingenbergstraße 16
 D-32758 Detmold
 Germany
 Fon: +49 5231 14-0
 Fax: +49 5231 14-292083
 www.weidmueller.com

Drawings

Miscellaneous



Type codes