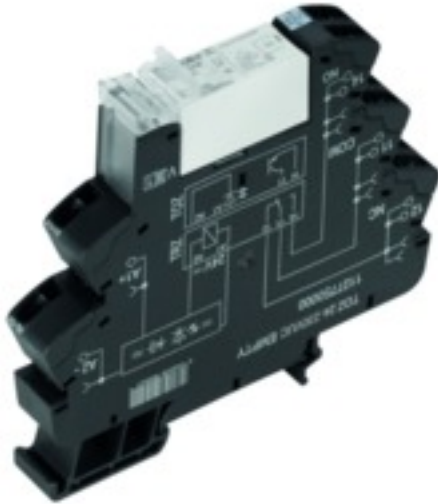


TERMSERIES TRZ 24-230VUC 1NO HCP

Weidmüller Interface GmbH & Co. KG
 Klingenbergstraße 16
 D-32758 Detmold
 Germany
 Fon: +49 5231 14-0
 Fax: +49 5231 14-292083
 www.weidmueller.com

Product image



Similar to illustration

TERMSERIES relay module, complete modules consisting of

a relay and a base with AC/DC/UC coils, available in different versions:

- With screw and tension-clamp connection
- Optionally with multiple-voltage input: 24...230 V UC
- With various protective circuits in the input (free-wheel diode, RC element)
- Illuminated ejection lever

General ordering data

| | |
|------------|--|
| Type | TRZ 24-230VUC 1NO HCP |
| Order No. | 1479980000 |
| Version | TERMSERIES, Relays, No. of contacts: 1 NO contact AgSnO ₂ + W, Rated control voltage: 24...230 V UC ±10 %, Continuous current: 16 A, Tension-clamp connection |
| GTIN (EAN) | 4050118288421 |
| Qty. | 10 pc(s). |

TERMSERIES
TRZ 24-230VUC 1NO HCP

Weidmüller Interface GmbH & Co. KG
 Klingenbergstraße 16
 D-32758 Detmold
 Germany
 Fon: +49 5231 14-0
 Fax: +49 5231 14-292083
 www.weidmueller.com

Technical data
Dimensions and weights

| | | | |
|------------|---------|-----------------|------------|
| Width | 12.8 mm | Width (inches) | 0.504 inch |
| Height | 90.5 mm | Height (inches) | 3.563 inch |
| Depth | 87.8 mm | Depth (inches) | 3.457 inch |
| Net weight | 60 g | | |

Temperatures

| | | | |
|-----------------------------|--|-----------------------------|----------------|
| Humidity | 5-95% relative humidity, T _u = 40°C, without condensation | Operating temperature, max. | 40 °C |
| Operating temperature, min. | -40 °C | Storage temperature, max. | 85 °C |
| Storage temperature, min. | -40 °C | Operating temperature | -40 °C...40 °C |
| Storage temperature | -40 °C...85 °C | | |

Environmental Product Compliance

| | |
|------------|----------------|
| REACH SVHC | Lead 7439-92-1 |
|------------|----------------|

Rated data UL

| | | | |
|---|--------|------------------------------------|--|
| Ambient temperature (operational), max. | 40 °C | Connection cross-section AWG, min. | AWG 26 |
| Connection cross-section AWG, max. | AWG 14 | Type of conductor | rigid copper conductor, flexible copper conductor |
| Pollution severity level | 2 | | |

Input

| | | | |
|---|---|---------------------------------------|---|
| Rated control voltage | 24...230 V UC ± 10 % | Rated current AC | 30.0 mA AC @ 24 V AC, 7.2 mA AC @ 230 V AC |
| Rated current DC | 40.5 mA DC @ 24 V DC, 3.4 mA DC @ 230 V DC | Power rating | 980 mW @ 24 V DC, 650 mVA @ 24 V AC, 780 mW @ 230 V DC, 1.68 VA @ 230 V AC |
| Pull-in/drop-out voltage, typ. | 15 V / 7 V AC 15 V / 5 V DC | Pull-in/drop-out current, typ. | 42 mA / 15.5 mA AC 34 mA / 10 mA DC |
| Status indicator | Green LED | Protective circuit | Rectifier |
| Coil voltage of the replacement relay deviating from the rated control voltage | Yes | Coil voltage of the replacement relay | 24 V DC |

Output

| | | | |
|--|--|----------------------------|---------|
| Rated switching voltage | 250 V AC | Max. switching voltage, AC | 250 V |
| Max. switching voltage, DC | 250 V | Continuous current | 16 A |
| Inrush current | 165 A / 20 ms, 800 A / 200 µs | Switch-on delay | ≤ 30 ms |
| Switch-off delay | < 75 ms | Min. switching power | 1 W |
| Max. switching frequency at rated load | 0.1 Hz | | |

Contact data

| | | | |
|--------------|--|-------------------------|--------------------------------------|
| Contact type | 1 NO contact (AgSnO ₂ + W) | Mechanical service life | 5 x 10 ⁶ switching cycles |
|--------------|--|-------------------------|--------------------------------------|

**TERMSERIES
TRZ 24-230VUC 1NO HCP**

Weidmüller Interface GmbH & Co. KG
 Klingenbergstraße 16
 D-32758 Detmold
 Germany
 Fon: +49 5231 14-0
 Fax: +49 5231 14-292083
 www.weidmueller.com

Technical data
General data

| | | | |
|--------------------------------------|-------|-------------|-------|
| Rail | TS 35 | Test button | No |
| Mechanical switch position indicator | No | Colour | black |
| UL 94 flammability rating | V-0 | | |

Insulation coordination

| | | | |
|-------------------------------------|--------------------------------|--|------------------------------|
| Rated voltage | 300 V | Surge voltage category | III |
| Pollution severity | 2 | Protection degree | IP20 |
| Dielectric strength, Input/Output | 1.2 kV _{eff} / 5 s | Creepage and clearance distance input – output | ≥ 5.5 mm |
| Dielectric strength of open contact | 1.2 kV _{eff} / 1 min. | Dielectric strength to mounting rail | 4 kV _{eff} / 1 Min. |
| Impulse withstand voltage | 6 kV (1.2/50 µs) | | |

Further details of approvals / standards

| | | | |
|-------------------------|--|-------------------------|------------|
| Standards | EN 50178, EN 55011, EN 61000-6-1, 2, 4 | Certificate No. (DNVGL) | TAA00001E5 |
| Certificate no. (cULus) | E141197 | | |

Connection data

| | | | |
|---|--------------------------|---|----------------------|
| Wire connection method | Tension-clamp connection | Stripping length, rated connection | 8 mm |
| Clamping range, rated connection | 1.5 mm ² | Clamping range, min. | 0.14 mm ² |
| Clamping range, max. | 2.5 mm ² | Wire connection cross section AWG, min. | AWG 26 |
| Wire connection cross section AWG, max. | AWG 14 | Wire cross-section, solid, min. | 0.14 mm ² |
| Wire cross-section, solid, max. | 2.5 mm ² | Wire connection cross-section, finely stranded, min. | 0.14 mm ² |
| Wire connection cross section, finely stranded, max. | 2.5 mm ² | Wire cross-section, finely stranded, min. (AWG) | AWG 26 |
| Wire cross-section, finely stranded, max. (AWG) | AWG 14 | Wire connection cross-section, finely stranded with wire-end ferrules DIN 46228/4, min. | 0.14 mm ² |
| Wire connection cross-section, finely stranded with wire-end ferrules DIN 46228/4, max. | 1.5 mm ² | Conductor cross-section, flexible, AEH (DIN 46228-1), min. | 0.14 mm ² |
| Conductor cross-section, flexible, AEH (DIN 46228-1), max. | 1.5 mm ² | Twin wire-end ferrules, min. | 0.5 mm ² |
| Twin wire-end ferrules, max. | 1 mm ² | Blade size | 0.6 x 3.5 mm |
| Gauge to IEC 60947-1 | A1, B1 | | |

Classifications

| | | | |
|------------|-------------|------------|-------------|
| ETIM 5.0 | EC001437 | ETIM 6.0 | EC001437 |
| eClass 6.2 | 27-37-16-01 | eClass 7.1 | 27-37-16-01 |
| eClass 8.1 | 27-37-16-01 | eClass 9.0 | 27-37-16-01 |
| eClass 9.1 | 27-37-16-01 | | |

Data sheet**TERMSERIES
TRZ 24-230VUC 1NO HCP****Weidmüller Interface GmbH & Co. KG**
Klingenbergstraße 16
D-32758 Detmold
Germany
Fon: +49 5231 14-0
Fax: +49 5231 14-292083
www.weidmueller.com**Technical data****Approvals**

Approvals



ROHS

Conform

Downloads

| | |
|---|--|
| Approval/Certificate/Document of Conformity | DE_PA5600_16Q229_001.pdf |
| Brochure/Catalogue | CAT 4.2 ELECTR 18/19 EN |
| Engineering Data | EPLAN_WSCAD_Zuken E3.S |
| Engineering Data | STEP |
| User Documentation | Operating Instructions |

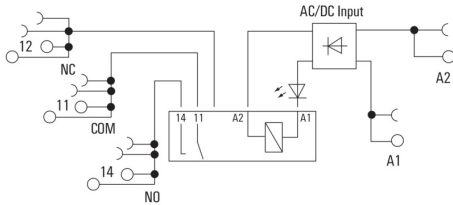
Data sheet

**TERMSERIES
TRZ 24-230VUC 1NO HCP**

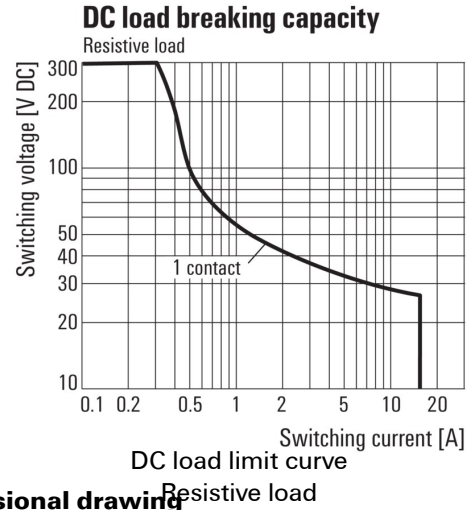
Weidmüller Interface GmbH & Co. KG
 Klingenbergstraße 16
 D-32758 Detmold
 Germany
 Fon: +49 5231 14-0
 Fax: +49 5231 14-292083
 www.weidmueller.com

Drawings

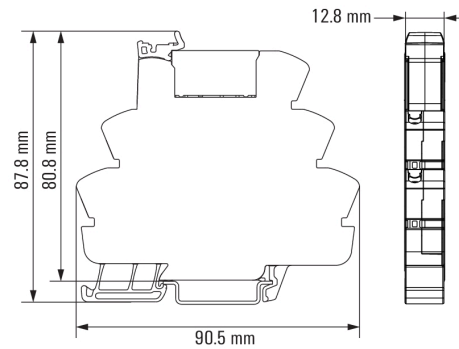
Wiring diagram



Graph



Dimensional drawing



**TERMSERIES
TRZ 24-230VUC 1NO HCP**

Weidmüller Interface GmbH & Co. KG
 Klingenbergstraße 16
 D-32758 Detmold
 Germany
 Fon: +49 5231 14-0
 Fax: +49 5231 14-292083
 www.weidmueller.com

Drawings

Miscellaneous



Type codes