

D-SERIES DRM SCM 2CO P

Weidmüller Interface GmbH & Co. KG
 Klingenbergstraße 16
 D-32758 Detmold
 Germany
 Fon: +49 5231 14-0
 Fax: +49 5231 14-292083
 www.weidmueller.com

Product image



Accessories for D-SERIES relays include:

- Relay bases
- LED / Protective modules
- Metal retaining clips

General ordering data

Type	SCM 2CO P
Order No.	7760056362
Version	D-SERIES DRM, Relay bases, No. of contacts: 2 CO contact, Continuous current: 12 A, PUSH IN with actuator
GTIN (EAN)	6944 169772269
Qty.	10 pc(s).

**D-SERIES DRM
SCM 2CO P**

Weidmüller Interface GmbH & Co. KG
 Klingenbergstraße 16
 D-32758 Detmold
 Germany
 Fon: +49 5231 14-0
 Fax: +49 5231 14-292083
 www.weidmueller.com

Technical data**Dimensions and weights**

Width	30.6 mm	Width (inches)	1.205 inch
Height	101.8 mm	Height (inches)	4.008 inch
Depth	42.7 mm	Depth (inches)	1.681 inch
Net weight	65.2 g		

Temperatures

Humidity	5...85 %, no condensation	Operating temperature, max.	55 °C
Operating temperature, min.	-40 °C	Storage temperature, max.	85 °C
Storage temperature, min.	-40 °C	Operating temperature	-40 °C...85 °C
Storage temperature	-40 °C...85 °C		

Environmental Product Compliance

REACH SVHC	Lead 7439-92-1
------------	----------------

Rated data UL

Certificate No. (cURus)	E355547
-------------------------	---------

Output

Rated switching voltage	250 V AC	Max. switching voltage, AC	250 V
Continuous current	12 A		

Contact data

Contact type	2 CO contact
--------------	--------------

General data

Rail	TS 35	Colour	black
------	-------	--------	-------

Insulation coordination

Rated voltage	300 V	Surge voltage category	III
Pollution severity	2	Insulating material group	IIIb
Protection degree	IP20	Dielectric strength, Input/Output	4 kV _{eff} / 1 min
Impulse withstand voltage at input and output	4.8 kV (1.2/50 µs)	Creepage and clearance distance input - output	≥ 3 mm
Dielectric strength of neighbouring contacts	2.5 kV _{eff} / 1 Min.	Impulse withstand voltage at neighbouring contacts	4.8 kV (1.2/50 µs)
Dielectric strength of open contact	2.5 kV _{eff} / 1 Min.		

Further details of approvals / standards

Certificate No. (cURus)	E355547
-------------------------	---------

D-SERIES DRM SCM 2CO P

Weidmüller Interface GmbH & Co. KG
 Klingenbergstraße 16
 D-32758 Detmold
 Germany
 Fon: +49 5231 14-0
 Fax: +49 5231 14-292083
 www.weidmueller.com

Technical data

Connection data

Wire connection method	PUSH IN with actuator	Stripping length, rated connection	10 mm
Clamping range, rated connection	1.5 mm ²	Clamping range, min.	0.14 mm ²
Clamping range, max.	1.5 mm ²	Wire connection cross section AWG, min.	AWG 26
Wire connection cross section AWG, max.	AWG 16	Wire cross-section, solid, min.	0.14 mm ²
Wire cross-section, solid, max.	1.5 mm ²	Wire connection cross-section, finely stranded, min.	0.14 mm ²
Wire connection cross section, finely stranded, max.	1.5 mm ²	Wire connection cross-section, finely stranded with wire-end ferrules DIN 46228/4, min.	0.14 mm ²
Wire connection cross-section, finely stranded with wire-end ferrules DIN 46228/4, max.	1 mm ²	Conductor cross-section, flexible, AEH (DIN 46228-1), min.	0.14 mm ²
Conductor cross-section, flexible, AEH (DIN 46228-1), max.	1.5 mm ²	Blade size	0.4 x 2.5 mm

Classifications

ETIM 6.0	EC001456	eClass 6.2	27-37-16-03
eClass 9.0	27-37-16-03	eClass 9.1	27-37-16-03

Product information

Product information Only connection A2 with the cross-connection SCM/SDI P CC (art. no. 7760056366) can be bridged on this socket.

Approvals

Approvals



ROHS Conform

Downloads

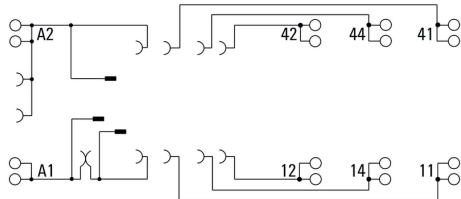
Approval/Certificate/Document of Conformity	DE_PA_5600_160310_001.pdf
Engineering Data	EPLAN
Engineering Data	STEP STEP

**D-SERIES DRM
SCM 2CO P**

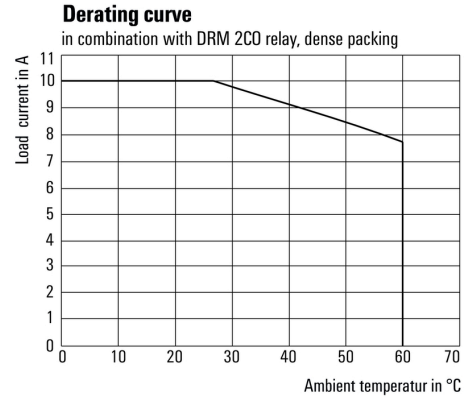
Weidmüller Interface GmbH & Co. KG
 Klingenbergstraße 16
 D-32758 Detmold
 Germany
 Fon: +49 5231 14-0
 Fax: +49 5231 14-292083
 www.weidmueller.com

Drawings

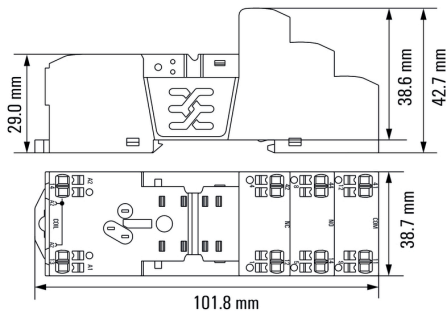
Wiring diagram



Graph



Dimensional drawing

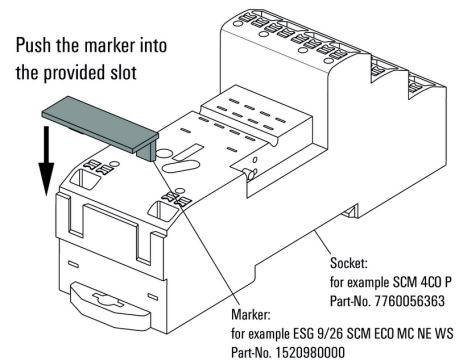


Example of use

Derating curve
 In combination with DRM 2CO
 relays fitted closely side by side

How to install marker

on PUSH IN connection sockets (one slot available)



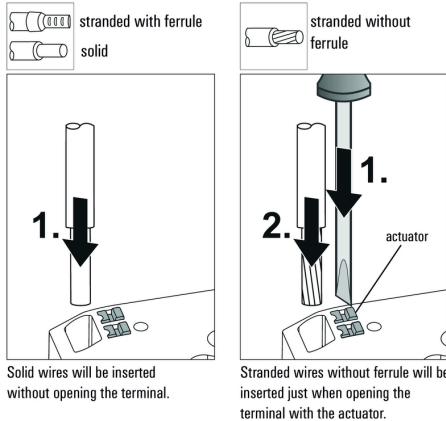
How to install marker

on PUSH IN connection sockets (one slot available)

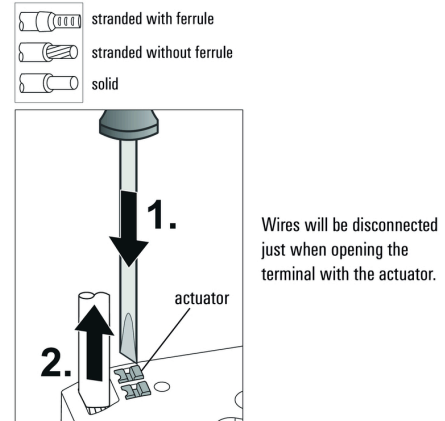
Miscellaneous

Miscellaneous

Insert flexible and solid cables



Removal of cables



**D-SERIES DRM
SCM 2CO P**

Weidmüller Interface GmbH & Co. KG
Klingenbergstraße 16
D-32758 Detmold
Germany
Fon: +49 5231 14-0
Fax: +49 5231 14-292083
www.weidmueller.com

Drawings**Miscellaneous****Recommended screwdriver**to push the actuator in **PUSH IN**